

PLEASE CHECK WWW.MOLEX.COM FOR LATEST PART INFORMATION

Part Number: **0503988100**
Status: **Active**
Description: 2.50mm (.098") Pitch Wire-to-Wire Crimp Terminal, Male, 50398, Bag, for 51112 Housing

Documents:

[3D Model](#) [Product Specification PS-51111-001 \(PDF\)](#)
[Drawing \(PDF\)](#) [RoHS Certificate of Compliance \(PDF\)](#)

General

Product Family	Crimp Terminals
Series	<u>50398</u>
Crimp Quality Equipment	Yes
Product Name	N/A

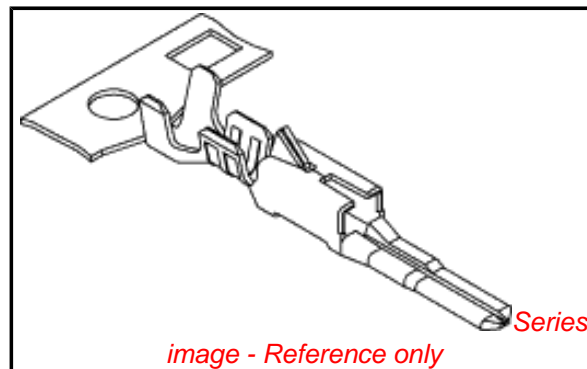
Physical

Gender	Male
Material - Metal	Phosphor Bronze
Material - Plating Mating	Tin
Material - Plating Termination	Tin
Packaging Type	Bag
Plating min: Mating (µin)	36
Plating min: Mating (µm)	0.90
Plating min: Termination (µin)	36
Plating min: Termination (µm)	0.90
Termination Interface: Style	Crimp or Compression
Wire Insulation Diameter	1.15-1.80mm (.045-.071")
Wire Size AWG	22, 24, 26, 28
Wire Size mm ²	N/A

Material Info

Reference - Drawing Numbers

Product Specification	PS-51111-001, RPS-500592-001, RPS-500592-002, RPS-500592-003, RPS-51111-004, RPS-51112-003
Sales Drawing	SD-50398-001



EU RoHS

ELV and RoHS Compliant
REACH SVHC
Contains SVHC: No
Halogen-Free Status
Halogen-Free

China RoHS



Need more information on product environmental compliance?

Email productcompliance@molex.com
 For a multiple part number RoHS Certificate of Compliance, [click here](#)

Please visit the [Contact Us](#) section for any non-product compliance questions.

Search Parts in this Series

[50398Series](#)

Mates With

[50397](#)

Use With

[51112](#)

Application Tooling | [FAQ](#)

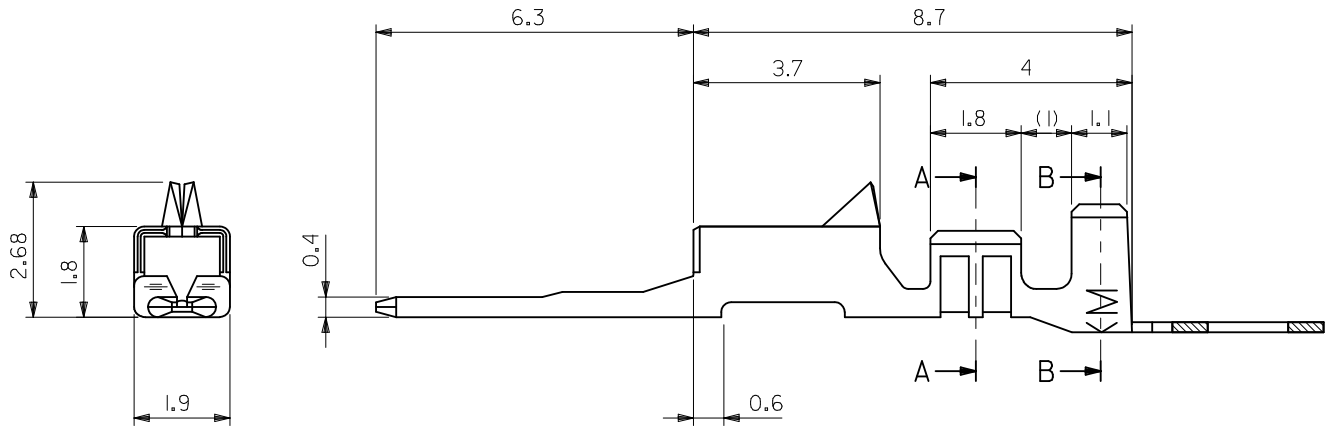
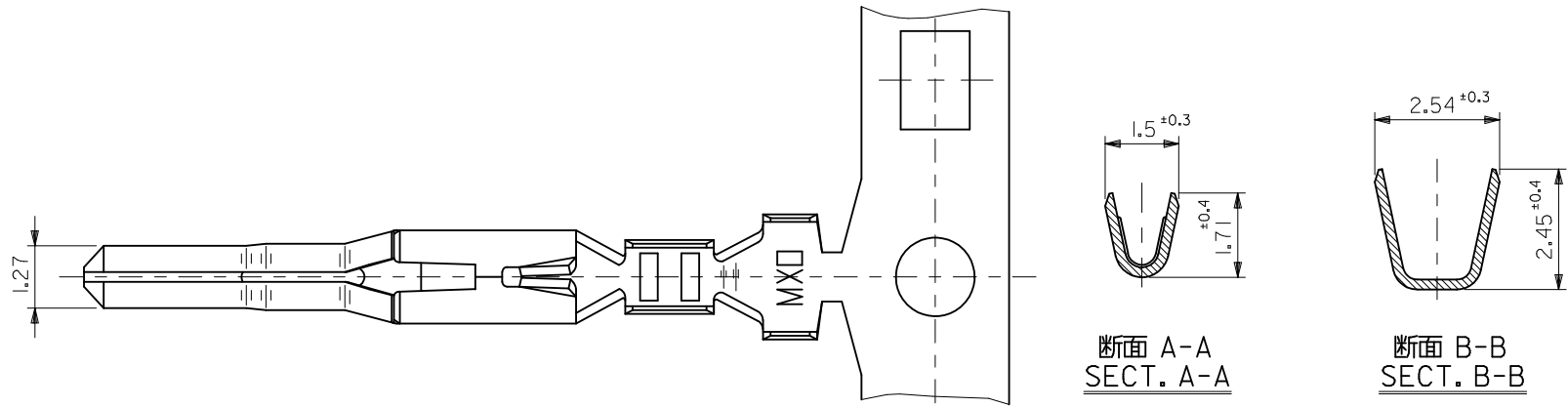
Tooling specifications and manuals are found by selecting the products below. Crimp Height Specifications are then contained in the Application Tooling Specification document.

Japan

Description	Product #
Hand Crimp Tool	0573165000
Hand Extraction Tool	0573166000
Extraction Tool	0573166100

PLEASE CHECK WWW.MOLEX.COM FOR LATEST PART INFORMATION

10 9 8 7 6 5 4 3 2 1



注記
NOTES

- 適合ハウジング : 51112シリーズ
APPLICABLE HOUSING : 51112 SERIES
- 材料 MATERIAL
りん青銅 (t = 0.2)
PHOSPHOR BRONZE
錫メッキ 0.9 μm 以上 リフロー処理 (前めっき)
TIN 0.9 μm MIN. REFLOW TREATMENT (PRE-PLATED)
- 適用電線サイズ AWG #22-28
被覆外径 : 1.15~1.8mm
- ELV及びRoHS適合品
ELV AND RoHS COMPLIANT

PLASTIC BAG	50398-8100	バラ状 LOOSE
REEL	50398-8000	連鎖状 CHAIN
PACKAGING SPEC.	オーダー番号 ORDER NO.	形態 FORM
CONNECTOR SERIES NO. 50398-8*00		

RELEASED EC NO: J2010-1818 DRWN: NYOSHIKAWA 2010/03/10 CHKD: KASAKAWA 2010/03/10 APPR: NUKITA 2010/03/11 REV: 0	DESCRIPTION GENERAL TOLERANCES (UNLESS SPECIFIED) 10 UNDER ±0.2 10 OVER 30 UNDER ±0.25 30 OVER ±0.3 ANGULAR ±3 ° DRAFT WHERE APPLICABLE MUST REMAIN WITHIN DIMENSIONS	DIMENSION STYLE MM ONLY	SCALE 10:1	DESIGN UNITS METRIC	THIRD ANGLE PROJECTION	
		DRAWN BY NYOSHIKAWA	DATE 2010/03/10	TITLE 2.5 WIRE TO WIRE CONN. CRIMP PIN		
		CHECKED BY KASAKAWA	DATE 2010/03/10	MOLEX INCORPORATED		
		APPROVED BY NUKITA	DATE 2010/03/10	MATERIAL NO. SEE TABLE	DOCUMENT NO. SD-50398-001	SHEET NO. 1 OF 1

THIS DRAWING CONTAINS INFORMATION THAT IS PROPRIETARY TO MOLEX INCORPORATED AND SHOULD NOT BE USED WITHOUT WRITTEN PERMISSION