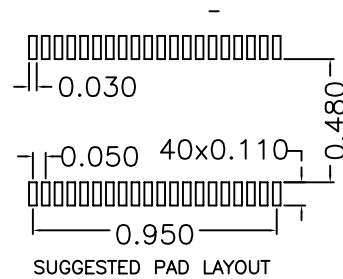
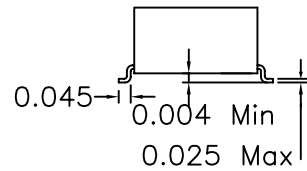
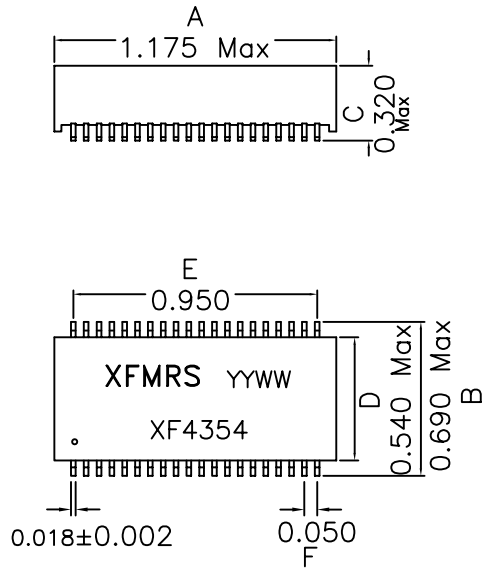


1. Mechanical Dimensions:



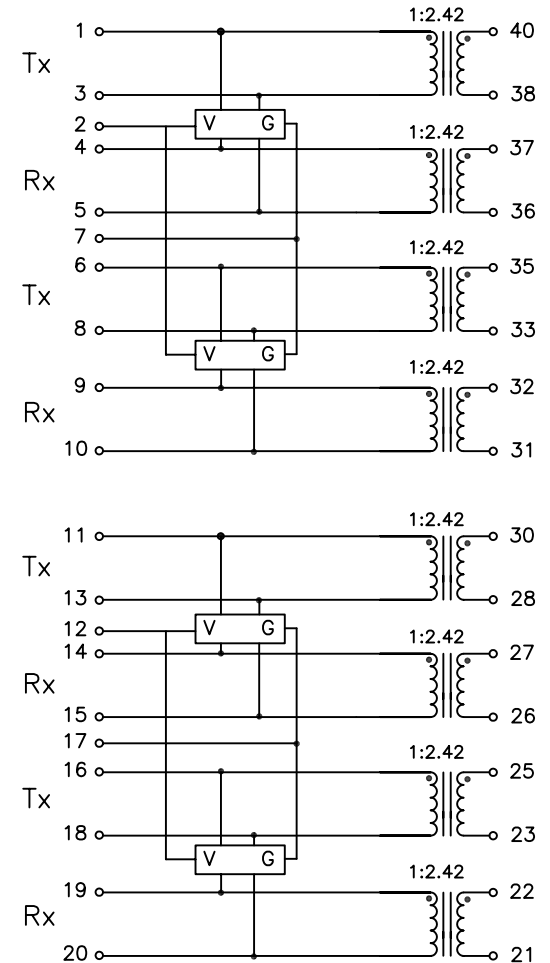
3. Electrical Specifications: @25°C

Turns Ratio: PRI/SEC TX 1:2.42 RX 1:2.42
 Isolation Voltage: 1500 Vrms (Input to Output)
 PRI OCL: 0.6mH Min @100KHz, 0.1V
 SEC OCL: 0.6mH Min @100KHz, 0.1V
 PRI LL: 0.6uH Max @100KHz, 0.1V Secs Shorted
 PRI/SEC Cw/w: 35pF Typical @100KHz 100mV
 RETURN LOSS: 50-100KHz 100KHz-2MHz 2-3MHz
 XMIT: 9dB Min 15dB Min 11dB Min
 REC: 12dB Min 18dB Min 14dB Min
 ET PRODUCT: 10 V-uS Min

Notes:

- Solderability: Leads shall meet MIL-STD-202G, Method 208H for solderability.
- Flammability: UL94V-0
- ASTM oxygen index: > 28%
- Insulation System: Class F 155°C. UL file E151556
- Operating Temperature Range: All listed parameters are to be within tolerance from -40°C to +85°C
- Storage Temperature Range: -55°C to +125°C
- Aqueous wash compatible
- SMD Lead Coplanarity: ±0.004"(0.102mm)
- Electrical and mechanical specifications 100% tested
- RoHS Compliant Component
- RoHS 5/6 Compliant, 63/37 leaded solder dipping on FG pins
- Recommended IR Reflow temp 225C Max.

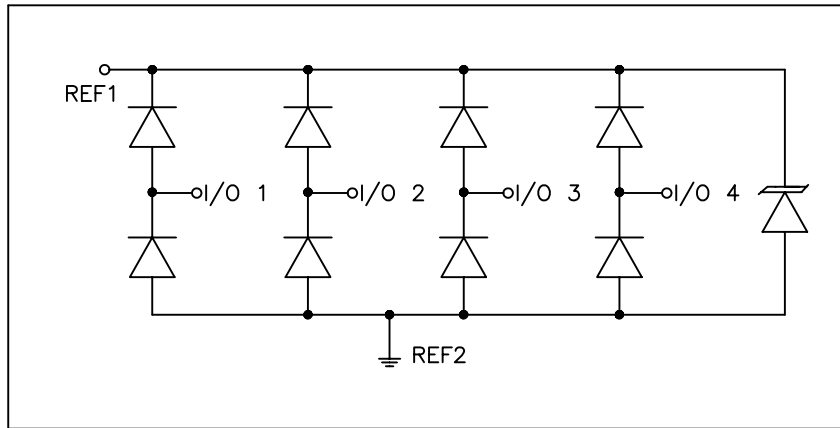
2. Schematic:



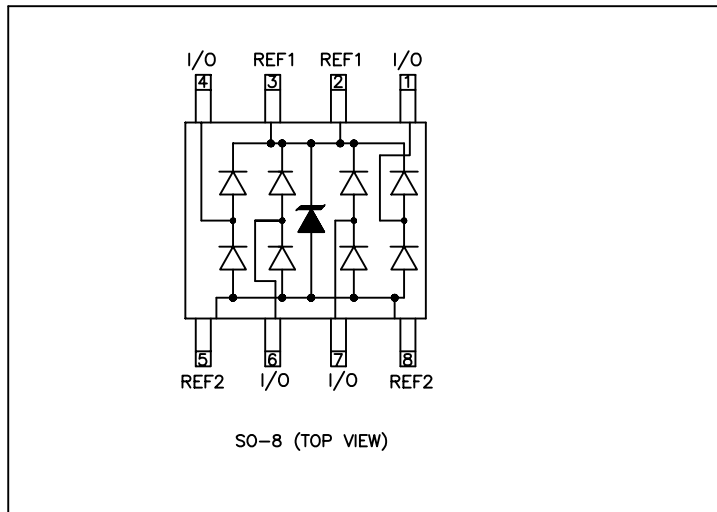
DOC REV: A/12

XFMRs Inc www.XFMRs.com	Title: QUAD PORT T1/CEPT/ISDN-PRI TRANSFORMER		
	UNLESS OTHERWISE SPECIFIED TOLERANCES: .xxx ±0.010 Dimensions in INCH		P/N: XF4354 REV. A
	DWN. CHK. APP.	Xiany YK Liao BW	Sep-14-09 Sep-14-09 Sep-14-09
SHT 1 OF 2			

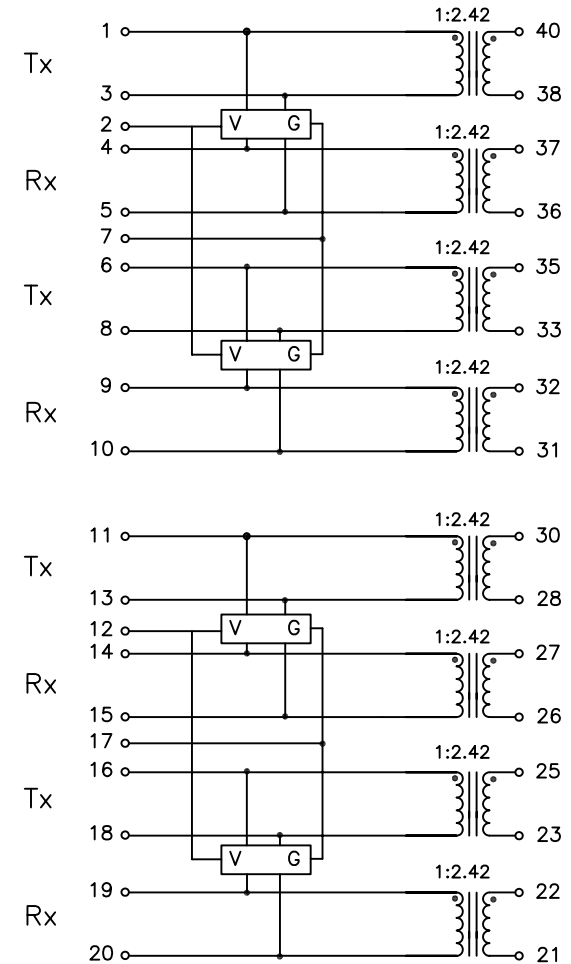
CIRCUIT DIAGRAM:



SCHEMATIC & PIN CONFIGURATION:



2. Schematic:



DETAILS FOR P/N: XF4354 "V G" PORTION OF THE CIRCUIT

XFMRs Inc www.XFMRs.com	Title: QUAD PORT T1/CEPT/ISDN-PRI TRANSFORMER		
	UNLESS OTHERWISE SPECIFIED TOLERANCES: .xxx ±0.010 Dimensions in INCH	P/N: XF4354	REV. A
	DWN.	Xiany	Sep-14-09
	CHK.	YK Liao	Sep-14-09
SHT 2 OF 2	APP.	BW	Sep-14-09

DOC REV: A/12