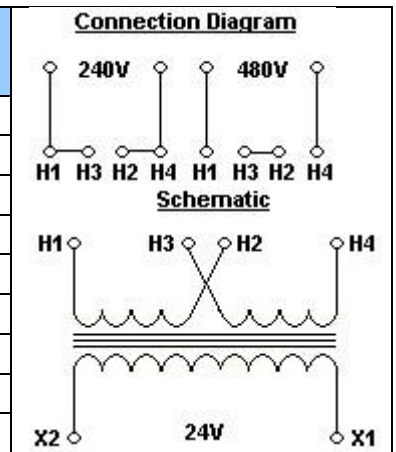


**GROUP: J (GYBV)**

Primary Voltage : 240/480 VAC @ 50/60Hz  
 Secondary Voltage : 24 VAC

UL, CSA and CE Pending

Part Number	VA	Overall Dimensions			Mounting Centers		Mtg. Slot (4 PLCS)	Wt. Lbs	Price
		L	W	H	ML	MW			
CT0025-J00	25	3.000	3.750	2.750	2.500	1.750	3/8 x 13/64	1.94	
CT0050-J00	50	3.000	3.563	2.750	2.500	2.250	3/8 x 13/64	2.72	
CT0075-J00	75	3.000	3.750	2.750	2.500	2.438	3/8 x 13/64	3.10	
CT0100-J00	100	3.000	3.750	2.750	2.500	2.625	3/8 x 13/64	3.26	
CT0150-J00	150	3.750	4.125	3.375	3.125	2.750	3/8 x 13/64	5.82	
CT0200-J00	200	3.750	4.125	3.375	3.125	2.750	3/8 x 13/64	5.92	
CT0250-J00	250	4.125	4.313	3.500	3.438	3.000	3/8 x 13/64	9.34	
CT0300-J00	300	4.500	4.313	3.875	3.750	3.000	3/8 x 13/64	9.64	
CT0350-J00	350	4.500	4.813	3.875	3.750	2.500	3/8 x 13/64	11.50	

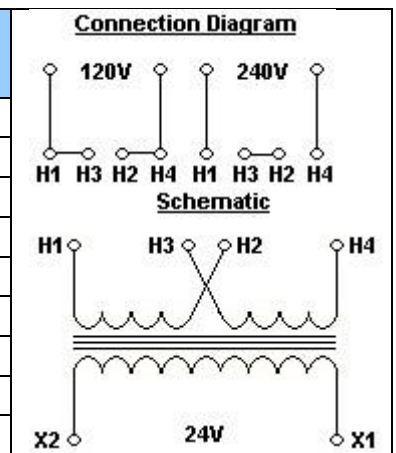


**GROUP: K (EYBV)**

Primary Voltage : 120/240 VAC @ 50/60Hz/60Hz  
 Secondary Voltage : 24 VAC

UL, CSA and CE Pending

Part Number	VA	Overall Dimensions			Mounting Centers		Mtg. Slot (4 PLCS)	Wt. Lbs	Price
		L	W	H	ML	MW			
CT0025-K00	25	3.000	3.750	2.750	2.500	1.750	3/8 x 13/64	1.94	
CT0050-K00	50	3.000	3.563	2.750	2.500	2.250	3/8 x 13/64	2.72	
CT0075-K00	75	3.000	3.750	2.750	2.500	2.438	3/8 x 13/64	3.10	
CT0100-K00	100	3.000	3.750	2.750	2.500	2.625	3/8 x 13/64	3.26	
CT0150-K00	150	3.750	4.125	3.375	3.125	2.750	3/8 x 13/64	5.82	
CT0200-K00	200	3.750	4.125	3.375	3.125	2.750	3/8 x 13/64	5.92	
CT0250-K00	250	4.125	4.313	3.500	3.438	3.000	3/8 x 13/64	9.34	
CT0300-K00	300	4.500	4.313	3.875	3.750	3.000	3/8 x 13/64	9.64	
CT0350-K00	350	4.500	4.813	3.875	3.750	2.500	3/8 x 13/64	11.50	



**GROUP: L : Auto-Transformer (NWGV01)**

Primary Voltage : 200/220/240/400/480 VAC @ 50/60Hz  
 Secondary Voltage : 230 VAC With Fuse

Part Number	VA	SEC. Fuse	Overall Dimensions			Mounting Centers		Mtg. Slot (4 PLCS)	Wt. Lbs	Price
			L	W	H	ML	MW			
CTA100-L01	100	1A	3.000	3.313	3.250	2.500	2.125	3/8 x 13/64	2.50	
CTA200-L01	200	<b>To be Added</b>								
CTA300-L01	300									
CTA400-L01	400									
CTA500-L01	500									
CTA600-L01	600									
CTA700-L01	700	5A	4.500	4.813	4.500	3.750	3.500	3/8 x 13/64	11.36	
CTA800-L01	800	<b>To be Added</b>								
CTA900-L01	900									

