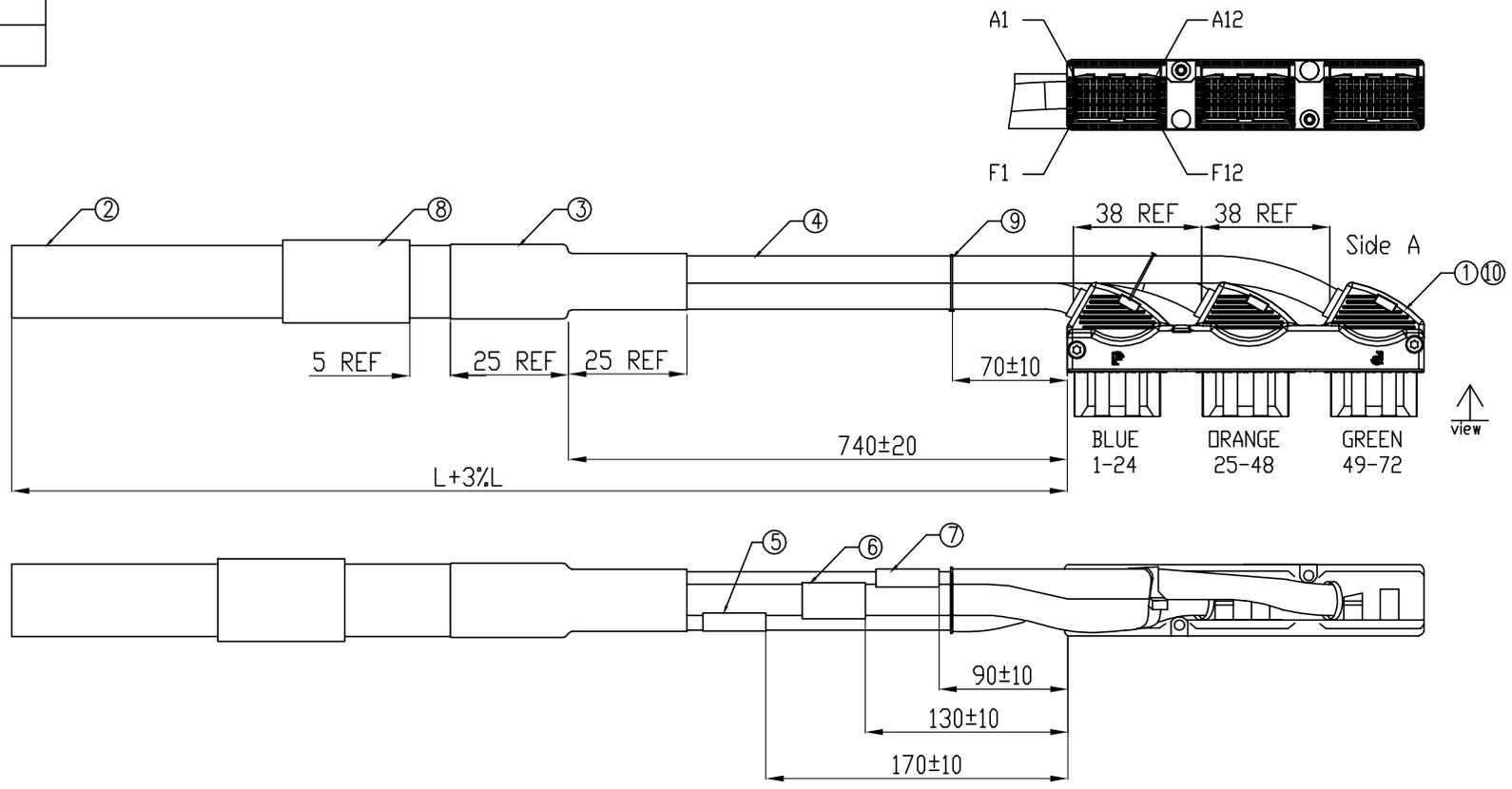


Product number
10079165 - NXXXXYYLF



No.	DESCRIPTION	QTY	UNIT
①	72P CONNECTOR	1	PC
②	72PAIR CABLE	AR	MR
③	HEAT SHRINK TUBE,OD:1"	AR	MR
④	HEAT SHRINK TUBE,OD:3/8"	AR	MR
⑤	LABEL,COLOR BLUE(see note 10)	1	PC
⑥	LABEL,COLOR ORANGE(see note 10)	1	PC
⑦	LABEL,COLOR GREEN(see note 10)	1	PC
⑧	LABEL	1	PC
⑨	CABLE TIE	2	PC
⑩	COPPER FOIL	AR	MR

www.fciconnect.com		surface - ✓	tolerance std -	projection -	mm
TOLERANCES UNLESS OTHERWISE SPECIFIED					
Dr Tommy Lin	5/13/2011	ANGULAR	0.X ±	size A3	Scale 2:3
Eng Tommy Lin	5/13/2011	LINEAR	0.XX ±	ECN Preliminary	
Chr Roger Cheng	5/13/2011	0° ±	0.XXX ±	Product family Metral Spec ref -	
Appr Jackson Wang	5/13/2011	Product family Metral		Spec ref -	
FCI title HDXS 72 pair 3 outlet Cable Assembly		dwg no 10079165		Rev. C	
catalog no -		Customer		sheet 1 of 4	

rev	ecn no	dr	date
A	N09-0137	GW	090525
B	N09-0215	GW	090708
C	N11-0160	T.L	5/13/2011
-	-	-	-
-	-	-	-
-	-	-	-



Copyright FCI.

A

A

B

B

C

C

D

D

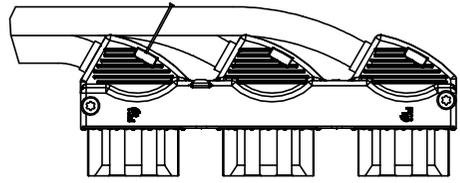
ALCATEL P/N	FCI P/N	L(M)	ALCATEL P/N	FCI P/N	L(M)	ALCATEL P/N	FCI P/N	L(M)	ALCATEL P/N	FCI P/N	L(M)	ALCATEL P/N	FCI P/N	L(M)
3FE60227ALAA	10079165-N0050YYLF	0.5	3FE60227EAAA	10079165-N0580YYLF	5.8	3FE60227GJAA	10079165-N1400YYLF	14	3FE60227HVAA	10079165-N2850YYLF	28.5	3FE60227KGAA	10079165-N5900YYLF	59
3FE60227ATAA	10079165-N0080YYLF	0.8	3FE60227FAAA	10079165-N0600YYLF	6	3FE60227GKAA	10079165-N1450YYLF	14.5	3FE60227HWAA	10079165-N2900YYLF	29	3FE60227KHAA	10079165-N6050YYLF	60.5
3FE60227BAAA	10079165-N0100YYLF	1	3FE60227FBAA	10079165-N0620YYLF	6.2	3FE60227GLAA	10079165-N1500YYLF	15	3FE60227HYAA	10079165-N2950YYLF	29.5	3FE60227KJAA	10079165-N6200YYLF	62
3FE60227BEAA	10079165-N0120YYLF	1.2	3FE60227FCAA	10079165-N0640YYLF	6.4	3FE60227GMAA	10079165-N1550YYLF	15.5	3FE60227JAAA	10079165-N3000YYLF	30	3FE60227KAAA	10079165-N6350YYLF	63.5
3FE60227BJAA	10079165-N0140YYLF	1.4	3FE60227FDAA	10079165-N0660YYLF	6.6	3FE60227GNAA	10079165-N1600YYLF	16	3FE60227JBAA	10079165-N3100YYLF	31	3FE60227KLA A	10079165-N6500YYLF	65
3FE60227BLAA	10079165-N0150YYLF	1.5	3FE60227FEAA	10079165-N0680YYLF	6.8	3FE60227GPA A	10079165-N1650YYLF	16.5	3FE60227JCAA	10079165-N3200YYLF	32	3FE60227KMAA	10079165-N6650YYLF	66.5
3FE60227BNAA	10079165-N0160YYLF	1.6	3FE60227FFAA	10079165-N0700YYLF	7	3FE60227GRAA	10079165-N1700YYLF	17	3FE60227JDA A	10079165-N3300YYLF	33	3FE60227KNA A	10079165-N6800YYLF	68
3FE60227BTAA	10079165-N0180YYLF	1.8	3FE60227FGAA	10079165-N0720YYLF	7.2	3FE60227GSA A	10079165-N1750YYLF	17.5	3FE60227JEA A	10079165-N3400YYLF	34	3FE60227KPA A	10079165-N6950YYLF	69.5
3FE60227CAAA	10079165-N0200YYLF	2	3FE60227FHAA	10079165-N0740YYLF	7.4	3FE60227GTA A	10079165-N1800YYLF	18	3FE60227JFA A	10079165-N3500YYLF	35	3FE60227KRA A	10079165-N7100YYLF	71
3FE60227CEAA	10079165-N0220YYLF	2.2	3FE60227FJAA	10079165-N0760YYLF	7.6	3FE60227GVA A	10079165-N1850YYLF	18.5	3FE60227JGA A	10079165-N3600YYLF	36	3FE60227KSA A	10079165-N7250YYLF	72.5
3FE60227CJAA	10079165-N0240YYLF	2.4	3FE60227FKAA	10079165-N0780YYLF	7.8	3FE60227GWA A	10079165-N1950YYLF	19	3FE60227JHA A	10079165-N3700YYLF	37	3FE60227KTA A	10079165-N7400YYLF	74
3FE60227CLAA	10079165-N0250YYLF	2.5	3FE60227FLAA	10079165-N0800YYLF	8	3FE60227GYAA	10079165-N1900YYLF	19.5	3FE60227JJA A	10079165-N3800YYLF	38	3FE60227KVA A	10079165-N7550YYLF	75.5
3FE60227CNA A	10079165-N0260YYLF	2.6	3FE60227FMA A	10079165-N0820YYLF	8.2	3FE60227HAAA	10079165-N2000YYLF	20	3FE60227JKA A	10079165-N3900YYLF	39	3FE60227KWA A	10079165-N7700YYLF	77
3FE60227CTAA	10079165-N0280YYLF	2.8	3FE60227FNAA	10079165-N0840YYLF	8.4	3FE60227HBA A	10079165-N2050YYLF	20.5	3FE60227JLA A	10079165-N4000YYLF	40	3FE60227KYAA	10079165-N7850YYLF	78.5
3FE60227DAAA	10079165-N0300YYLF	3	3FE60227FPA A	10079165-N0860YYLF	8.6	3FE60227HCAA	10079165-N2100YYLF	21	3FE60227JMA A	10079165-N4100YYLF	41	3FE60227LAAA	10079165-N8000YYLF	80
3FE60227DEAA	10079165-N0320YYLF	3.2	3FE60227FRA A	10079165-N0880YYLF	8.8	3FE60227HDA A	10079165-N2150YYLF	21.5	3FE60227JNA A	10079165-N4200YYLF	42	3FE60227LBA A	10079165-N8200YYLF	82
3FE60227DJAA	10079165-N0340YYLF	3.4	3FE60227FSA A	10079165-N0900YYLF	9	3FE60227HEAA	10079165-N2200YYLF	22	3FE60227JPA A	10079165-N4300YYLF	43	3FE60227LCA A	10079165-N8400YYLF	84
3FE60227DLAA	10079165-N0350YYLF	3.5	3FE60227FTA A	10079165-N0920YYLF	9.2	3FE60227HFA A	10079165-N2250YYLF	22.5	3FE60227JRA A	10079165-N4400YYLF	44	3FE60227LDA A	10079165-N8600YYLF	86
3FE60227DNA A	10079165-N0360YYLF	3.6	3FE60227FVAA	10079165-N0940YYLF	9.4	3FE60227HGA A	10079165-N2300YYLF	23	3FE60227KSA A	10079165-N4500YYLF	45	3FE60227LEAA	10079165-N8800YYLF	88
3FE60227DTAA	10079165-N0380YYLF	3.8	3FE60227FWAA	10079165-N0960YYLF	9.6	3FE60227HHA A	10079165-N2350YYLF	23.5	3FE60227JTA A	10079165-N4600YYLF	46	3FE60227LFA A	10079165-N9000YYLF	90
3FE60227EAAA	10079165-N0400YYLF	4	3FE60227FYAA	10079165-N0980YYLF	9.8	3FE60227HJAA	10079165-N2400YYLF	24	3FE60227JVA A	10079165-N4700YYLF	47	3FE60227LGA A	10079165-N9200YYLF	92
3FE60227ECAA	10079165-N0420YYLF	4.2	3FE60227GAAA	10079165-N1000YYLF	10	3FE60227HKA A	10079165-N2450YYLF	24.5	3FE60227JWA A	10079165-N4800YYLF	48	3FE60227LHA A	10079165-N9400YYLF	94
3FE60227EEAA	10079165-N0440YYLF	4.4	3FE60227GBAA	10079165-N1050YYLF	10.5	3FE60227HLAA	10079165-N2500YYLF	25	3FE60227JYA A	10079165-N4900YYLF	49	3FE60227LJAA	10079165-N9600YYLF	96
3FE60227EFA A	10079165-N0450YYLF	4.5	3FE60227GCAA	10079165-N1100YYLF	11	3FE60227HMA A	10079165-N2550YYLF	25.5	3FE60227KAAA	10079165-N5000YYLF	50	3FE60227LKA A	10079165-N9800YYLF	98
3FE60227EGAA	10079165-N0460YYLF	4.6	3FE60227GDA A	10079165-N1150YYLF	11.5	3FE60227HNA A	10079165-N2600YYLF	26	3FE60227KBA A	10079165-N5150YYLF	51.5	3FE60227LLAA	10079165-NAAAAYLF	100
3FE60227EJAA	10079165-N0480YYLF	4.8	3FE60227GEAA	10079165-N1200YYLF	12	3FE60227HPAA	10079165-N2650YYLF	26.5	3FE60227KCA A	10079165-N5300YYLF	53	3FE60227MBA A	10079165-NAAABYLF	125
3FE60227ELAA	10079165-N0500YYLF	5	3FE60227GFA A	10079165-N1250YYLF	12.5	3FE60227HRA A	10079165-N2700YYLF	27	3FE60227KDA A	10079165-N5450YYLF	54.5	3FE60227MGA A	10079165-NAAACYLF	150
3FE60227ENAA	10079165-N0520YYLF	5.2	3FE60227GGA A	10079165-N1300YYLF	13	3FE60227HSA A	10079165-N2750YYLF	27.5	3FE60227KEAA	10079165-N5600YYLF	56	3FE60227MLAA	10079165-NAAADYLF	170
3FE60227ESAA	10079165-N0550YYLF	5.5	3FE60227GHA A	10079165-N1350YYLF	13.5	3FE60227HTAA	10079165-N2800YYLF	28	3FE60227KFA A	10079165-N5750YYLF	57.5	3FE60227MTAA	10079165-NAAEYLF	200



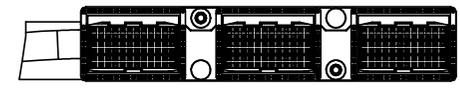
Copyright FCI.

www.fciconnect.com		surface - ✓	tolerance std -	projection	mm
TOLERANCES UNLESS OTHERWISE SPECIFIED					
Dr Tommy Lin	5/13/2011	ANGULAR	0.X ±-	size A3	Scale 2:3
Eng Tommy Lin	5/13/2011	LINEAR	0.XX ±-	ECN	Preliminary
Chr Roger Cheng	5/13/2011	0° ±-	0.XXX ±-	Spec ref	-
Appr Jackson Wang	5/13/2011	Product family Metral			
FCI title HDXS 72 pair 3 outlet Cable Assembly		dwg no 10079165		Rev. C	
catalog no		Customer		sheet 2 of 4	

rev	ecn no	dr	date
-	-	-	-
-	-	-	-
-	-	-	-
-	-	-	-
-	-	-	-
-	-	-	-
-	-	-	-
-	-	-	-



View from mating side of cable connector



Coding explanation			
WH	White	BL	Blue
BK	Black	OR	Orange
YE	Yellow	GN	Green
RD	Red	BN	Brown
WH-BL	White-Blue	GY	Gray
VT*	VIOLET		Not Connected

* WH-BL CAN BE REPLACED BY VT DEPENDING ON CABLE FACT STRUCTURE.

BLUE bundle 1-24												
	1	2	3	4	5	6	7	8	9	10	11	12
A	1 BL	1 WH		5 GY	5 WH		2 DR	2 WH		6 BL	6 RD	
B		3 GN	3 WH		7 DR	7 RD		4 BN	4 WH		8 GN	8 RD
C		9 BN	9 RD		13 GN	13 BK		10 GY	10 RD		14 BN	14 BK
D		11 BL	11 BK		15 GY	15 BK		12 DR	12 BK		16 BL	16 YE
E	17 DR	17 YE		21 BL	21 VT		18 GN	18 YE		22 DR	22 VT	
F		19 BN	19 YE		23 GN	23 VT		20 GY	20 YE		24 BN	24 VT

ORANGE bundle 25-48												
	1	2	3	4	5	6	7	8	9	10	11	12
A	1 BL	1 WH		5 GY	5 WH		2 DR	2 WH		6 BL	6 RD	
B		3 GN	3 WH		7 DR	7 RD		4 BN	4 WH		8 GN	8 RD
C		9 BN	9 RD		13 GN	13 BK		10 GY	10 RD		14 BN	14 BK
D		11 BL	11 BK		15 GY	15 BK		12 DR	12 BK		16 BL	16 YE
E	17 DR	17 YE		21 BL	21 VT		18 GN	18 YE		22 DR	22 VT	
F		19 BN	19 YE		23 GN	23 VT		20 GY	20 YE		24 BN	24 VT

GREEN bundle 49-72												
	1	2	3	4	5	6	7	8	9	10	11	12
A	1 BL	1 WH		5 GY	5 WH		2 DR	2 WH		6 BL	6 RD	
B		3 GN	3 WH		7 DR	7 RD		4 BN	4 WH		8 GN	8 RD
C		9 BN	9 RD		13 GN	13 BK		10 GY	10 RD		14 BN	14 BK
D		11 BL	11 BK		15 GY	15 BK		12 DR	12 BK		16 BL	16 YE
E	17 DR	17 YE		21 BL	21 VT		18 GN	18 YE		22 DR	22 VT	
F		19 BN	19 YE		23 GN	23 VT		20 GY	20 YE		24 BN	24 VT



Copyright FCI.

FCI P/N	OD	L (CUT LENGTH)	FOR
10079565-001	ø9mm	755mm	BLUE BUNDLE
10079565-001	ø9mm	793mm	ORANGE BUNDLE
10079565-001	ø9mm	831mm	GREEN BUNDLE
10079565-002	ø25.4mm	70mm	JACKET

rev	ecn no	dr	date
-	-	-	-
-	-	-	-
-	-	-	-
-	-	-	-
-	-	-	-

www.fciconnect.com		surface - ✓	tolerance std -	projection	mm
		TOLERANCES UNLESS OTHERWISE SPECIFIED			
Dr Tommy Lin	5/13/2011	ANGULAR	0.X ±-	size A3	Scale 2:3
Eng Tommy Lin	5/13/2011	LINEAR	0.XX ±-		
Chr Roger Cheng	5/13/2011	0° ±-	0.XXX ±-	ECN	Preliminary
Appr Jackson Wang	5/13/2011	Product family Metral		Spec ref	-
		title HDXS 72 pair 3 outlet Cable Assembly		dwg no 10079165	Rev. C
catalog no		-		Customer	sheet 3 of 4

NOTES:

- © 1. Mates with 3 x FCI board connector 10075388-101LF
- 2. UNLESS OTHERWISE SPECIFIED ASSEMBLED LENGTH TOLERANCE
2M<=+3%L
- 3. DEFINE THE PART NUMBER SCHEME FOR THE CABLE ASSEMBLY, REFER TO 10076663
- 4. UNLESS OTHERWISE SPECIFIED ,LABEL POSITION SHALL BE APPROXIMATELY 60MM FROM REAR OF CONNECTOR
- 5. UNLESS OTHERWISE SPECIFIED ,LABEL CONTENT SHALL CONTAINS THE BELOW:
 -  CUSTOMER P/N
 - YYWW
 - SERIES CODE
- 6. ALL CABLE ASSEMBLIES SHALL BE TESTED 100% FOR CONTINUITY AS DEFINED IN WIRING LIST
- 7. UNLESS OTHERWISE SPECIFIED ALL CABLE ASSEMBLIES SHALL BE 100% HI-POT TESTED BY APPLYING DC 500V IF LENGTH IS LESS THAN 100MR, OTHERWISE IS DC 250V FOR MINIMUM OF 0.01S,
CONTACTTION RESISTANCE : <=10Mr 5 Ohm; <=20Mr 10 Ohm;
<=40Mr 15 Ohm; <=60Mr 20 Ohm; <=100Mr 30 Ohm; <= 200mr 50 Ohm

INSULATION RESISTANCE 20 M Ohm. UNLESS ACTIVE COMPONENTS ARE USED IN THIS ASSEMBLY.
- 8. OTHER TESTING PERFORMED AS REQUIRED BY PRODUCT SPECIFICATION
- 9. CABLE ASSEMBLIES SHALL WITHSTAND AN AXIAL LOAD OF 200N AT A RATE OF 25.4mm/Min, CABLE IS NOT MOED OUT OF METAL COVER.
- 10. LEAD FREE PRODUCTS MEET EUROPEAN UNION DIRECTIVES AND OTHER COUNTRY REGULATIONS AS AS DESCRIBED IN GS-22-008
- 11. CONNECTOR ASSEMBLIES SHOWN ARE FOR REFERENCE ONLY AND MAY NOT SHOW ALL PART DETAIL. REFERENCE CONNECTOR ASSEMBLY DRAWING FOR COMPLETE DETAILS.
- 12. GLOBAL STANDARDS FOR CABLE PACKAGING: GS-14-1093
- 13. MATERIALS: N/A
- 14. THIS DIMENSION IS A FINISHED PRODUCT LENGTH

rev	ecn no	dr	date
-	-	-	-
-	-	-	-
-	-	-	-
-	-	-	-
-	-	-	-
-	-	-	-
-	-	-	-

www.fciconnect.com			surface - ✓	tolerance std -	projection 	mm 
			TOLERANCES UNLESS OTHERWISE SPECIFIED			
Dr Tommy Lin	5/13/2011	ANGULAR	0.X	±-	size A3	Scale 2:3
Eng Tommy Lin	5/13/2011	LINEAR	0.XX	±-	ECN Preliminary	
Chr Roger Cheng	5/13/2011	0° ±'	0.XXX	±-	ECN Preliminary	
Appr Jackson Wang	5/13/2011	Product family	Metral		Spec ref	-
			title HDXS 72 pair 3 outlet Cable Assembly		dwg no 10079165	Rev. C
catalog no			-		Customer	sheet 4 of 4



Copyright FCI.