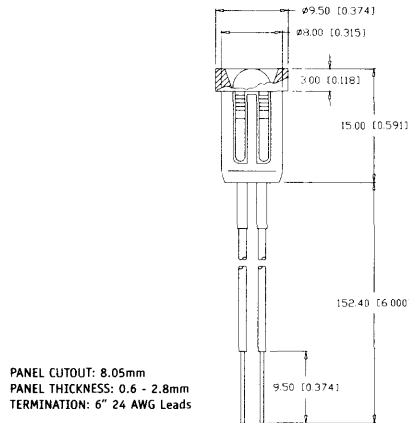


## SSI-LXR5020XD-150 Series

## T-5mm Black Panel Indicator, Flush LED



PANEL CUTOUT: 8.05mm  
 PANEL THICKNESS: 0.6 - 2.8mm  
 TERMINATION: 6" 24 AWG Leads

### FEATURES / OPTIONS

- State-of-the-Art, High Brightness LED Chip Technology
- Choice of LED Colors and Lens Finishes
- Bi-Color Styles Optional
- Insulated Lead Lengths Optional
- Easy Installation Through Panel
- Small Volumes Acceptable
- Available Without Insulated Leads (Bare LED Pins)
- Blinking LED
- With Internal Resistor for 5V and 12V Operation
- With Connector

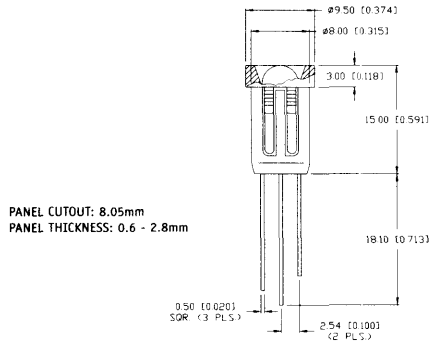
### APPLICATIONS / USES

- Front Panel Status Indicators
- Alarm/Warning Indicators
- Front Panel Circuit Fault Indicators
- Instrument Control Panels
- Medical Diagnostics Indicators
- Industrial Automation Control Panels

Lumex Part Number	Dice Material	Emitted Color	Peak (nm)	Epoxy Lens	Operating Current (mA)	Operating TYP. Vf (V)	Brightness		View Angle* 2x THETA	Component LED Used
							TYP. mcd	@ mA		
<b>HIGH BRIGHTNESS</b>										
SSI-LXR5020SID-150	AllnGaP	Super High Intensity Red	636	Red Diffused	5-25	2.0	100	20	60	SSL-LX5093SID
SSI-LXR5020SOD-150	AllnGaP	Super Orange	610	Orange Diffused	5-25	2.0	100	20	60	SSL-LX5093SOD
SSI-LXR5020SPGD150	AllnGaP	Super Pure Green	562	Green Diffused	5-25	2.2	50	20	60	SSL-LX5093SPGD
SSI-LXR5020SYD-150	AllnGaP	Super Yellow	590	Yellow Diffused	5-25	2.0	100	20	60	SSL-LX5093SYD
SSI-LXR5020USBD150	InGaN/SiC	Ultra Super Blue	470	Blue Diffused	5-25	3.5	60	20	60	SSL-LX5093USBD
<b>STANDARD BRIGHTNESS</b>										
SSI-LXR5020GD-150	GaP	Green	565	Green Diffused	5-25	2.1	20	20	60	SSL-LX5093GD
SSI-LXR5020ID-150	GaAsP	High Intensity Red	635	Red Diffused	5-25	2.1	20	20	60	SSL-LX5093ID
SSI-LXR5020SRD-150	GaAlAs	Super Red	660	Red Diffused	5-25	1.8	60	20	60	SSL-LX5093SRD
SSI-LXR5020YD-150	GaAsP	Yellow	585	Yellow Diffused	5-25	2.1	20	20	60	SSL-LX5093YD

## SSI-LXR5020XX-3

## T-5mm Black Panel Indicator, 3-Leaded Flush LED



PANEL CUTOUT: 8.05mm  
 PANEL THICKNESS: 0.6 - 2.8mm

### FEATURES / OPTIONS

- State-of-the-Art, High Brightness LED Chip Technology
- Choice of LED Colors and Lens Finishes
- Bi-Color Styles Optional
- Insulated Lead Lengths Optional
- Easy Installation Through Panel
- Small Volumes Acceptable
- Wire Leads Termination
- Blinking LED
- With Internal Resistor for 5V and 12V Operation
- With Connector
- Common Anode Version

### APPLICATIONS / USES

- Front Panel Status Indicators
- Alarm/Warning Indicators
- Front Panel Circuit Fault Indicators
- Instrument Control Panels
- Medical Diagnostics Indicators
- Industrial Automation Control Panels

PANEL INDICATORS

Lumex Part Number	Dice Material	Emitted Color	Peak (nm)	Epoxy Lens	Operating Current (mA)	Operating TYP. Vf (V)	Brightness		View Angle* 2x THETA	Component LED Used
							TYP. mcd	@ mA		
SSI-LXR5020IGW-3	GaAsP	High Intensity Red	635	Milky White	5-25	2.1	55	20	60	SSL-LX5099IGW
SSI-LXR5020IYW-3	GaAsP	Green	565	Diffused	5-25	2.1	45	20	60	SSL-LX5099IYW
		Yellow	585	Diffused	5-25	2.1	40	20		
SSI-LXR5020SISPGW3	AllnGaP	Super High Intensity Red	636	Milky White	5-25	2.0	200	20	60	SSL-LX5099SISPGW
		Super Pure Green	562	Diffused	5-25	2.2	50	20		
SSI-LXR5020SISYW-3	AllnGaP	Super High Intensity Red	636	Milky White	5-25	2.0	200	20	60	SSL-LX5099SISYW
		Super Yellow	590	Diffused	5-25	2.0	50	20		
SSI-LXR5020SRSGW-3	GaAlAs	Super Red	660	Milky White	5-25	1.8	200	20	60	SSL-LX5099SRSGW
		Super Green	565	Diffused	5-25	2.1	50	20		
SSI-LXR5020SYSPGW3	AllnGaP	Super Yellow	590	Milky White	5-25	2.0	50	20	60	SSL-LX5099SYSPGW
		Super Pure Green	562	Diffused	5-25	1.8	50	20		
SSI-LXR5020YGW-3	GaAsP	Yellow	585	Milky White	5-25	2.1	40	20	60	SSL-LX5099YGW
		Green	565	Diffused	5-25	2.1	45	20		



1-800-278-5666 USA

+886-3-5821124 Asian Pacific



www.lumex.com

www.lumex.com.tw



1-800-944-2790 USA

+886-3-5821154 Asian Pacific