

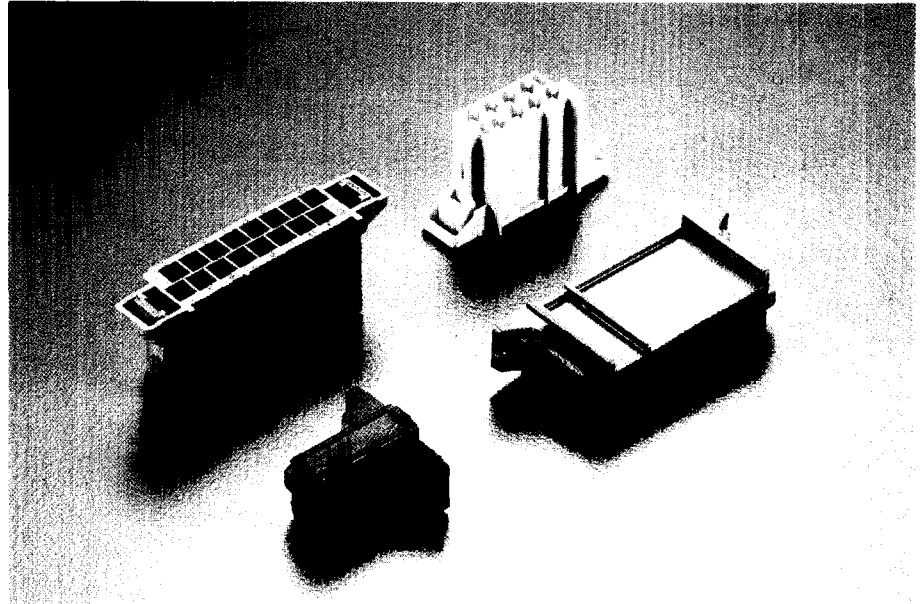
# PCB to wire connectors

## 2.8 mm terminals

### Female housings for 2.8 mm terminals

#### Features

- 2-4-8-16 position housings available
- Double row 5 x 5 mm staggered pitch
- Symmetrical cavity shape
- Anti-tangle device of the lateral locking lances
- Mechanical polarization
- Several colour codings available



Part Numbers	No. of Position	Terminal size	Colour
VT92PH02BK*T	2	2.8 mm	Black
VT92PH04BK*T	4	2.8 mm	Black
VT92PH08BK*T	8	2.8 mm	Black
VT92PH08WH*T	8	2.8 mm	White
VT92PH08YE*T	8	2.8 mm	Yellow
VT92PH08RD*T	8	2.8 mm	Red
VT92PH08GY*T	8	2.8 mm	Grey
VT92PH08BN*T	8	2.8 mm	Brown
VT92PH16VL*T	16	2.8 mm	Violet
VT92PH16BK*T	16	2.8 mm	Black
VT92PH16GY*T	16	2.8 mm	Grey
VT92PH16GN*T	16	2.8 mm	Green
VT92PH16BL*T	16	2.8 mm	Light blue
VT92PH16DGN*T	16	2.8 mm	Dark green
VT92PH16BN*T	16	2.8 mm	Brown

#### Performance characteristics

- Temperature range :  
from -40°C to +105°C
- Contact retention force : > 80 N
- Contact insertion force : < 4.5 N
- Housing locking strength : > 40 N  
per way

#### Construction

- Housing material : Polyamide

#### Connector compatibility

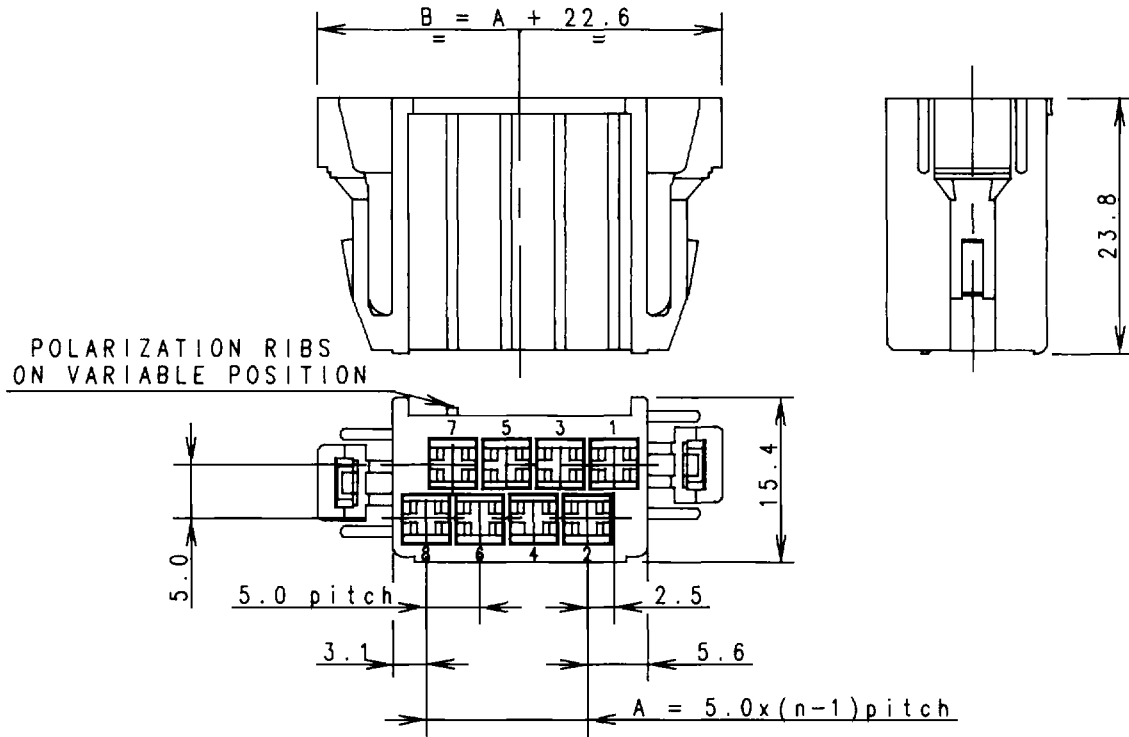
- Usable terminals :  
2.8 mm female terminals
- Matable with :  
- VT92 male connectors  
- VT92 pin headers

# PCB to wire connectors

## 2.8 mm terminals

### Dimensional characteristics

#### Female housing



#### Codings

