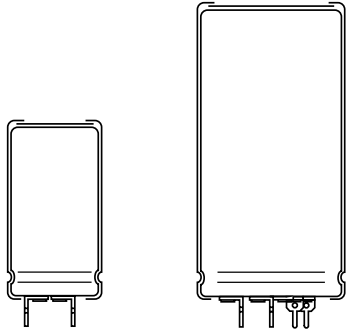


## Aluminum Capacitors Power Printed Wiring Style



Component outlines

### FEATURES

- Polarized aluminum electrolytic capacitors, non-solid electrolyte
- Large types with reduced dimensions, cylindrical aluminum case, insulated
- Provided with keyed polarity
- Long useful life: 12 000 h at 85 °C
- High ripple current capability
- High resistance to shock and vibration



**RoHS\***  
COMPLIANT

### APPLICATIONS

- General purpose, industrial and audio/video systems
- Smoothing and filtering
- Standard and switched mode power supplies
- Energy storage in pulse systems

### MARKING

The capacitors are marked (where possible) with the following information:

- Rated capacitance (in  $\mu\text{F}$ )
- Tolerance on rated capacitance, code letter in accordance with IEC 60062 (M for  $\pm 20\%$ )
- Rated voltage (in V)
- Date code (YYMM)
- Name of manufacturer
- Code for factory of origin
- Polarity of the terminals and '-' sign to indicate the negative terminal, visible from the top and/or side of the capacitor
- Code number
- Climatic category in accordance with IEC 60068

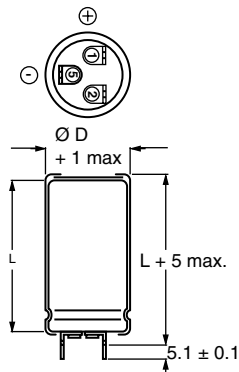
QUICK REFERENCE DATA		
DESCRIPTION	VALUE	
	NV	HV
Nominal case size ( $\varnothing D \times L$ in mm)	25 x 30 to 40 x 100	
Rated capacitance range (E6 series), $C_R$	680 to 150 000 $\mu\text{F}$	68 to 2200 $\mu\text{F}$
Tolerance on $C_R$	$\pm 20\%$	
Rated voltage range, $U_R$	10 to 100 V	200 to 400 V
Category temperature range	- 40 to + 85 °C	
Endurance test at 85 °C	5000 h	
Useful life at 85 °C	12 000 h	
Useful life at 40 °C, 1.4 x IR applied	190 000 h	
Shelf life at 0 V, 85 °C	500 h	
Based on sectional specification	IEC 60384-4/EN130300	
Climatic category IEC 60068	40/085/56	

$C_R$ ( $\mu\text{F}$ )	$U_R$ (V)								
	10	16	25	40	63	100	200	385	400
68	-	-	-	-	-	-	-	25 x 30	25 x 30
100	-	-	-	-	-	-	-	25 x 40	25 x 40
150	-	-	-	-	-	-	25 x 30	30 x 40	30 x 40
220	-	-	-	-	-	-	25 x 40	35 x 40	35 x 40
330	-	-	-	-	-	-	30 x 40	35 x 50	35 x 50
	-	-	-	-	-	-	-	40 x 40	40 x 40
470	-	-	-	-	-	-	35 x 40	40 x 50	40 x 50
680	-	-	-	-	-	25 x 30	35 x 50	40 x 70	40 x 70
	-	-	-	-	-	-	40 x 40	-	-
1000	-	-	-	-	-	25 x 40	40 x 50	40 x 100	40 x 100
1500	-	-	-	-	-	30 x 40	40 x 70	-	-
2200	-	-	-	-	25 x 30	35 x 40	40 x 100	-	-

\* Pb containing terminations are not RoHS compliant, exemptions may apply

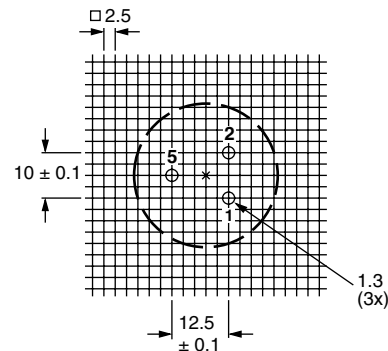
SELECTION CHART FOR $C_R$ , $U_R$ AND RELEVANT NOMINAL CASE SIZES ( $\varnothing D \times L$ in mm)									
$C_R$ ( $\mu F$ )	$U_R$ (V)								
	10	16	25	40	63	100	200	385	400
3300	-	-	-	25 x 30	25 x 40	35 x 50	-	-	-
4700	-	-	25 x 30	25 x 40	30 x 40	40 x 50	-	-	-
6800	-	25 x 30	25 x 40	30 x 40	35 x 40	40 x 70	-	-	-
10 000	25 x 30	25 x 40	30 x 40	35 x 40	35 x 50	40 x 100	-	-	-
	-	-	-	-	40 x 40	-	-	-	-
15 000	25 x 40	30 x 40	35 x 40	35 x 50	40 x 70	-	-	-	-
	-	-	-	40 x 40	-	-	-	-	-
22 000	30 x 40	35 x 40	35 x 50	40 x 50	40 x 100	-	-	-	-
	-	-	40 x 40	-	-	-	-	-	-
33 000	35 x 40	35 x 50	40 x 50	40 x 70	-	-	-	-	-
	-	40 x 40	-	-	-	-	-	-	-
47 000	35 x 50	40 x 50	40 x 70	40 x 100	-	-	-	-	-
	40 x 40	-	-	-	-	-	-	-	-
68 000	40 x 50	40 x 70	40 x 100	-	-	-	-	-	
100 000	40 x 70	40 x 100	-	-	-	-	-	-	
150 000	40 x 100	-	-	-	-	-	-	-	

**DIMENSIONS** in millimeters **AND AVAILABLE FORMS**



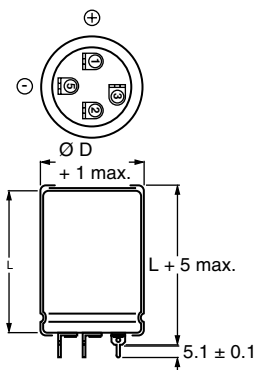
1 = Positive terminal;  
5 = negative terminal  
Case  $\varnothing D = 25$  mm

Fig.1 Printed wiring pin version



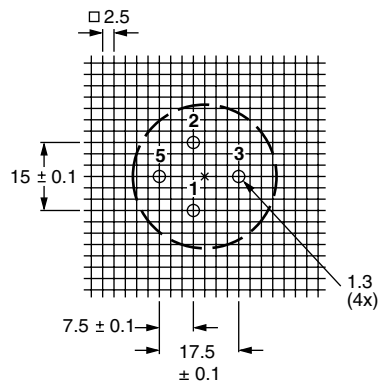
Case  $\varnothing D = 25$  mm

Fig.2 Mounting hole diagramm viewed from the component side



1 = Positive terminal;  
5 = negative terminal  
Case  $\varnothing D = 30$  mm and 35 mm

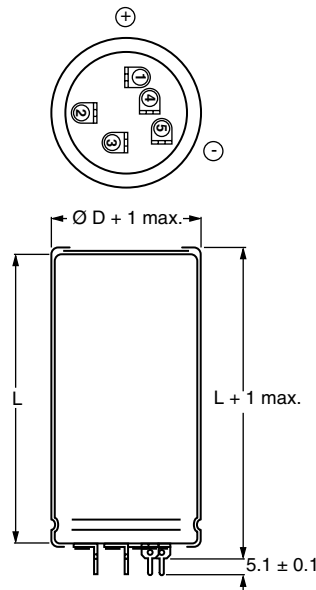
Fig.3 Printed wiring pin version



Case  $\varnothing D = 30$  mm and 35 mm

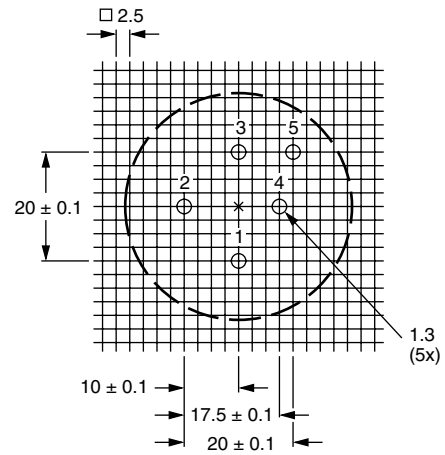
Fig.4 Mounting hole diagramm viewed from the component side

**DIMENSIONS** in millimeters **AND AVAILABLE FORMS** continued



1 = Positive terminal;  
5 = Negative terminal  
Case Ø D = 40 mm

Fig.5 Printed wiring pin version



1 = Positive terminal;  
5 = Negative terminal  
Case Ø D = 40 mm

Fig.6 Mounting hole diagramm viewed from the component side

<b>DIMENSIONS</b> in millimeters, <b>MASS AND PACKAGING QUANTITIES</b>					
<b>NOMINAL CASE SIZE Ø D x L</b>	<b>Ø D<sub>max</sub></b>	<b>L<sub>max</sub></b>	<b>MASS (g)</b>	<b>PACKAGING QUANTITIES (units per box)</b>	<b>CARDBOARD BOX DIMENSIONS L x W x H</b>
25 x 30	26	35	≈ 24	100	290 x 280 x 50
25 x 40	26	45	≈ 28	100	290 x 280 x 60
30 x 40	31	45	≈ 38	100	340 x 330 x 60
35 x 40	36	45	≈ 51	50	390 x 198 x 60
35 x 50	36	55	≈ 66	50	390 x 198 x 70
40 x 40	41	45	≈ 78	50	440 x 223 x 60
40 x 50	41	55	≈ 82	50	440 x 223 x 70
40 x 70	41	75	≈ 110	25	230 x 230 x 90
40 x 100	41	105	≈ 176	25	230 x 230 x 120

**MOUNTING**

When a number of capacitors are connected in a bank, they must not be closer together than 15 mm, when no derating of ripple current and/or temperature is applied.

**Pin numbers 2, 3 and 4 (if present) must be free from the electrical circuit.**

ELECTRICAL DATA	
SYMBOL	DESCRIPTION
$C_R$	rated capacitance at 100 Hz
$I_R$	rated RMS ripple current at 100 Hz, 85 °C or at 20 kHz, 70 °C
$I_{L1}$	max. leakage current after 1 min at $U_R$
$I_{L5}$	max. leakage current after 5 min at $U_R$
ESR	max. equivalent series resistance at 100 Hz
Z	max. impedance at 10 kHz

## ORDERING EXAMPLE

10 000  $\mu\text{F}/25 \text{ V}; \pm 20 \%$ Nominal case size:  $\varnothing 30 \times 40 \text{ mm}$ 

Catalog number: EYD00BB510E02W

## Note

1. Unless otherwise specified, all electrical values apply at  
 $T_{\text{amb}} = 20 \text{ °C}$ ,  $P = 86 \text{ to } 106 \text{ kPa}$ ,  $\text{RH} = 45 \text{ to } 75 \%$

ELECTRICAL DATA AND ORDERING INFORMATION									
$U_R$ (V)	$C_R$ 100 Hz ( $\mu\text{F}$ )	NOMINAL CASE SIZE $\varnothing D \times L$ (mm)	$I_R$ 100 Hz 85 °C (A)	$I_R$ 20 kHz 70 °C (A)	$I_{L1}$ 1 MIN (mA)	$I_{L5}$ 5 MIN (mA)	ESR 100 Hz (m $\Omega$ )	Z 10 kHz (m $\Omega$ )	CATALOG NUMBER
10	10 000	25 × 30	3.1	5.9	0.60	0.20	51	40	EYD00AV510C02W
	15 000	25 × 40	4.1	7.8	0.90	0.30	37	30	EYD00AB515C02W
	22 000	30 × 40	5.0	9.5	1.32	0.44	30	25	EYD00BB522C02W
	33 000	35 × 40	5.5	10.4	1.98	0.66	28	24	EYD00CB533C02W
	47 000	35 × 50	6.8	12.9	2.82	0.94	23	20	EYD00CD547C02W
	47 000	40 × 40	5.8	10.4	2.82	0.94	29	22	EYD00DB547C02W
	68 000	40 × 50	7.1	13.5	4.08	1.36	24	20	EYD00DD568C02W
	100 000	40 × 70	9.2	17.4	6.00	2.00	19	16	EYD00DG610C02W
150 000	40 × 100	12.0	22.7	9.00	3.00	16	14	EYD00DM615C02W	
16	6800	25 × 30	3.1	5.9	0.65	0.22	53	42	EYD00AV468D02W
	10 000	25 × 40	4.0	7.6	0.96	0.32	39	34	EYD00AB510D02W
	15 000	30 × 40	5.0	9.5	1.44	0.48	31	27	EYD00BB515D02W
	22 000	35 × 40	5.5	10.4	2.12	0.71	29	26	EYD00CB522D02W
	33 000	35 × 50	6.7	12.7	3.17	1.06	23	21	EYD00CD533D02W
	33 000	40 × 40	5.7	10.8	3.17	1.06	30	24	EYD00DB533D02W
	47 000	40 × 50	7.0	13.3	4.52	1.51	24	20	EYD00DD547D02W
	68 000	40 × 70	9.2	17.4	6.53	2.18	19	16	EYD00DG568D02W
100 000	40 × 100	12.0	22.7	9.60	3.20	16	14	EYD00DM610D02W	
25	4700	25 × 30	2.9	5.5	0.71	0.24	60	42	EYD00AV447E02W
	6800	25 × 40	3.9	7.4	1.02	0.34	42	34	EYD00AB468E02W
	10 000	30 × 40	4.8	9.1	1.50	0.50	34	27	EYD00BB510E02W
	15 000	35 × 40	5.3	10.0	2.25	0.75	30	26	EYD00CB515E02W
	22 000	35 × 50	6.5	12.3	3.30	1.10	24	21	EYD00CD522E02W
	22 000	40 × 40	5.7	10.8	3.30	1.10	31	24	EYD00DB522E02W
	33 000	40 × 50	7.0	13.3	4.95	1.65	25	20	EYD00DD533E02W
	47 000	40 × 70	9.2	17.4	7.05	2.35	19	16	EYD00DG547E02W
68 000	40 × 100	12.0	22.7	10.20	3.40	16	14	EYD00DM568E02W	
40	3300	25 × 30	2.9	5.5	0.80	0.27	87	63	EYD00AV433G02W
	4700	25 × 40	3.8	7.2	1.13	0.38	62	47	EYD00AB447G02W
	6800	30 × 40	4.7	8.9	1.64	0.55	49	38	EYD00BB468G02W
	10 000	35 × 40	5.2	9.8	2.40	0.80	48	37	EYD00CB510G02W
	15 000	35 × 50	6.3	11.9	3.60	1.20	37	28	EYD00CD515G02W
	15 000	40 × 40	5.6	10.6	3.60	1.20	50	35	EYD00DB515G02W
	22 000	40 × 50	5.8	11.0	5.28	1.76	39	28	EYD00DD522G02W
	33 000	40 × 70	7.8	14.8	7.92	2.64	28	21	EYD00DG533G02W
47 000	40 × 100	10.4	19.7	11.28	3.76	22	17	EYD00DM547G02W	



Not for new design

EYD

Aluminum Capacitors  
Power Printed Wiring Style

Vishay Roederstein

ELECTRICAL DATA AND ORDERING INFORMATION									
U <sub>R</sub> (V)	C <sub>R</sub> 100 Hz (μF)	NOMINAL CASE SIZE Ø D x L (mm)	I <sub>R</sub> 100 Hz 85 °C (A)	I <sub>R</sub> 20 kHz 70 °C (A)	I <sub>L1</sub> 1 MIN (mA)	I <sub>L5</sub> 5 MIN (mA)	ESR 100 Hz (mΩ)	Z 10 kHz (mΩ)	CATALOG NUMBER
63	2200	25 × 30	2.5	4.7	0.84	0.28	83	62	EYD00AV422J02W
	3300	25 × 40	3.3	6.2	1.25	0.42	58	42	EYD00AB433J02W
	4700	30 × 40	4.1	7.8	1.78	0.60	49	38	EYD00BB447J02W
	6800	35 × 40	4.5	8.5	2.57	0.86	48	37	EYD00CB468J02W
	10 000	35 × 50	5.4	10.2	3.78	1.26	37	28	EYD00CD510J02W
	10 000	40 × 40	4.6	8.7	3.78	1.26	52	37	EYD00DB510J02W
	15 000	40 × 70	7.5	14.2	5.67	1.89	29	24	EYD00DG515J02W
22 000	40 × 100	10.0	19.0	8.32	2.77	22	19	EYD00DM522J02W	
100	680	25 × 30	1.74	3.30	0.41	0.14	190	130	EYD00AV368L02W
	1000	25 × 40	2.34	4.44	0.60	0.20	130	90	EYD00AB410L02W
	1500	30 × 40	2.95	5.59	0.90	0.30	95	67	EYD00BB415L02W
	2200	35 × 40	3.69	7.00	1.32	0.44	71	53	EYD00CB422L02W
	3300	35 × 50	4.37	8.29	1.98	0.66	55	41	EYD00CD433L02W
	3300	40 × 40	4.16	7.89	1.98	0.66	64	48	EYD00DB433L02W
	4700	40 × 50	5.21	9.88	2.82	0.94	49	38	EYD00DD447L02W
	6800	40 × 70	6.97	13.22	4.08	1.36	35	28	EYD00DG468L02W
	10 000	40 × 100	9.50	18.00	6.00	2.00	26	21	EYD00DM510L02W
200	150	25 × 30	0.70	1.33	0.18	0.06	1000	770	EYD00AV315S02W
	220	25 × 40	0.94	1.78	0.26	0.09	680	525	EYD00AB322S02W
	330	30 × 40	1.27	2.41	0.40	0.14	460	360	EYD00BB333S02W
	470	35 × 40	1.66	3.15	0.57	0.19	320	250	EYD00CB347S02W
	680	35 × 50	2.19	4.15	0.82	0.28	220	170	EYD00CD368S02W
	680	40 × 40	2.17	4.11	0.82	0.28	220	170	EYD00DB368S02W
	1000	40 × 50	2.86	5.42	1.20	0.40	150	115	EYD00DD410S02W
	1500	40 × 70	3.81	7.22	1.80	0.60	110	85	EYD00DG415S02W
	2200	40 × 100	5.20	9.86	2.64	0.88	80	60	EYD00DM422S02W
385	68	25 × 30	0.47	0.89	0.16	0.06	2200	1480	EYD00AV268R02W
	100	25 × 40	0.64	1.21	0.23	0.08	1500	1020	EYD00AB310R02W
	150	30 × 40	0.90	1.71	0.35	0.12	1000	700	EYD00BB315R02W
	220	35 × 40	1.15	2.18	0.51	0.17	680	480	EYD00CB322R02W
	330	35 × 50	1.53	2.90	0.77	0.26	450	340	EYD00CD333R02W
	330	40 × 40	1.52	2.88	0.77	0.26	450	340	EYD00DB333R02W
	470	40 × 50	1.96	3.72	1.09	0.36	320	260	EYD00DD347R02W
	680	40 × 70	2.70	5.12	1.58	0.53	220	190	EYD00DG368R02W
	1000	40 × 100	3.70	7.02	2.31	0.78	180	140	EYD00DM410R02W
400	68	25 × 30	0.54	1.02	0.16	0.06	2100	1000	EYD00AV268X02W
	100	25 × 40	0.73	1.38	0.24	0.08	1400	780	EYD00AB310X02W
	150	30 × 40	0.98	1.86	0.36	0.12	950	520	EYD00BB315X02W
	220	35 × 40	1.28	2.43	0.52	0.17	650	400	EYD00CB322X02W
	330	35 × 50	1.67	3.17	0.79	0.26	480	280	EYD00CD333X02W
	330	40 × 40	1.67	3.17	0.79	0.26	480	280	EYD00DB333X02W
	470	40 × 50	2.12	4.02	1.12	0.37	340	220	EYD00DD347X02W
	680	40 × 70	2.90	5.50	1.63	0.54	235	155	EYD00DG368X02W
	1000	40 × 100	4.05	7.68	2.40	0.80	160	110	EYD00DM410X02W

ADDITIONAL ELECTRICAL DATA		
PARAMETER	CONDITIONS	VALUE
<b>Voltage</b>		
Surge voltage	≤ 250 V versions	$U_s = 1.15 \times U_R$
	≥ 385 V versions	$U_s = 1.1 \times U_R$
Reverse voltage		$U_{rev} \leq 1 \text{ V}$
<b>Current</b>		
Leakage current	after 1 min at $U_R$	$I_{L1} \leq 0.006 C_R \times U_R + 4 \mu\text{A}$
	after 5 min at $U_R$	$I_{L5} \leq 0.002 C_R \times U_R + 4 \mu\text{A}$
<b>Inductance</b>		
Equivalent series inductance (ESL)	case Ø D = 25 mm	max. 25 nH
	case Ø D = 30 and 35 mm	max. 30 nH
	case Ø D = 40 mm	max. 35 nH

**LIFETIME TABLE** rated voltage: ≤ 100 V

<b>INTERRELATION BETWEEN ALTERNATING CURRENT, AMBIENT TEMPERATURE AND LIFETIME</b>																
$I/I_R$ (FREQUENCY DEPENDENT)						SURFACE TEMPERATURE RISE $\Delta T_o$ (°C)	LIFETIME MULTIPLIER L (depending on $I/I_R$ and $T_a$ )									
FREQUENCY (Hz)							AMBIENT TEMPERATURE $T_a$ (°C)									
50	100	250	500	1000	> 2500		40	45	50	55	60	65	70	75	80	85
0.19	0.20	0.21	0.22	0.23	0.24	0.2	63	40	26	17	11	7.4	5.0	3.4	2.4	1.64
0.39	0.40	0.42	0.44	0.46	0.47	0.6	57	36	23	15	10	6.8	4.6	3.2	2.2	1.53
0.58	0.60	0.62	0.66	0.69	0.71	1.3	48	31	20	13	8.9	6.0	4.1	2.8	2.0	1.38
0.78	0.80	0.83	0.88	0.92	0.95	2.1	39	25	17	11	7.5	5.1	3.5	2.4	1.7	1.21
0.97	1.00	1.04	1.10	1.15	1.18	3.2	30	20	13	9.0	6.1	4.2	2.9	2.0	1.4	1.00
1.17	1.20	1.25	1.31	1.38	1.42	4.4	22	15	10	7.0	4.8	3.4	2.3	1.7	1.2	
1.36	1.40	1.46	1.53	1.61	1.66	6.0	16	11	7.7	5.3	3.7	2.6	1.8	1.3		
1.55	1.60	1.67	1.75	1.84	1.89	7.9	11	8.0	5.6	3.9	2.8	2.0	1.4	1.0		
1.75	1.80	1.87	1.97	2.07	2.13	10	7.8	5.5	3.9	2.8	2.0	1.4	1.0			
1.94	2.00	2.08	2.19	2.30	2.37	12	5.3	3.8	2.7	2.0	1.4	1.0				
2.14	2.20	2.29	2.41	2.53	2.60	15	3.5	2.5	1.8	1.3						
2.33	2.40	2.50	2.63	2.76	2.84	17	2.2	1.6	1.2							
2.53	2.60	2.71	2.85	2.99	3.08	20	1.4	1.1								

$I_R$  100 Hz alternating current [A] at upper category temperature  $T_{UC}$  taken from data sheet

I User current (A)

$T_a$  Ambient temperature of capacitor (°C)

$\Delta T_o$  Surface temperature rise of capacitor caused by AC load (°C)

L Lifetime multiplier

**LIFETIME TABLE** rated voltage: > 100 V

<b>INTERRELATION BETWEEN ALTERNATING CURRENT, AMBIENT TEMPERATURE AND LIFETIME</b>																
$I/I_R$ (FREQUENCY DEPENDENT)						SURFACE TEMPERATURE RISE $\Delta T_o$ (°C)	LIFETIME MULTIPLIER L (depending on $I/I_R$ and $T_a$ )									
FREQUENCY (Hz)							AMBIENT TEMPERATURE $T_a$ (°C)									
50	100	250	500	1000	> 2500		40	45	50	55	60	65	70	75	80	85
0.16	0.20	0.25	0.27	0.28	0.29	0.2	94	60	38	25	17	11	7.5	5.1	2.4	1.64
0.32	0.40	0.49	0.54	0.57	0.59	0.6	83	53	35	23	15	10	6.9	3.2	2.2	1.54
0.48	0.60	0.74	0.81	0.85	0.88	1.2	68	45	30	20	13	9.0	6.2	2.8	2.0	1.39
0.64	0.80	0.98	1.07	1.13	1.18	2.0	54	36	24	16	11	7.6	5.3	2.5	1.7	1.22
0.80	1.00	1.23	1.34	1.42	1.47	3.1	41	28	19	13	9.0	6.3	2.9	2.1	1.5	1.00
0.96	1.20	1.47	1.61	1.70	1.76	4.9	30	21	15	10	7.1	5	2.4	1.7	1.2	
1.12	1.40	1.72	1.88	1.98	2.06	6.7	21	15	11	7.7	5.5	2.6	1.9	1.3		
1.28	1.60	1.96	2.15	2.27	2.35	8.6	15	11	7.9	5.7	2.7	2.0	1.4	1.0		
1.44	1.80	2.21	2.42	2.55	2.65	11	10	7.6	5.6	2.7	2.0	1.5	1.1			
1.60	2.00	2.45	2.69	2.83	2.94	13	7.0	5.3	2.6	2.0	1.5	1.1				
1.76	2.20	2.70	2.95	3.12	3.23	15	3.2	2.4	1.8	1.4	1.0					
1.92	2.40	2.94	3.22	3.40	3.53	18	2.1	1.6	1.2							
2.08	2.60	3.19	3.49	3.68	3.82	20	1.4	1.1								

$I_R$  100 Hz alternating current (A) at upper category temperature  $T_{UC}$  taken from data sheet

I User current (A)

$T_a$  Ambient temperature of capacitor (°C)

$\Delta T_o$  Surface temperature rise of capacitor caused by AC load (°C)

L Lifetime multiplier



## Notice

Specifications of the products displayed herein are subject to change without notice. Vishay Intertechnology, Inc., or anyone on its behalf, assumes no responsibility or liability for any errors or inaccuracies.

Information contained herein is intended to provide a product description only. No license, express or implied, by estoppel or otherwise, to any intellectual property rights is granted by this document. Except as provided in Vishay's terms and conditions of sale for such products, Vishay assumes no liability whatsoever, and disclaims any express or implied warranty, relating to sale and/or use of Vishay products including liability or warranties relating to fitness for a particular purpose, merchantability, or infringement of any patent, copyright, or other intellectual property right.

The products shown herein are not designed for use in medical, life-saving, or life-sustaining applications. Customers using or selling these products for use in such applications do so at their own risk and agree to fully indemnify Vishay for any damages resulting from such improper use or sale.