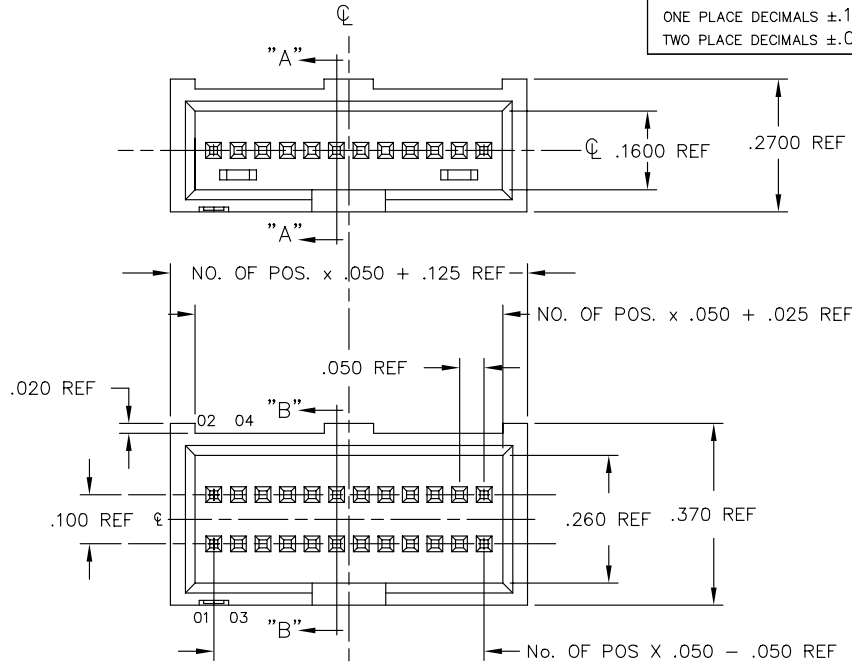


DIMENSIONS ARE IN INCHES		UNLESS OTHERWISE NOTED	TOLERANCES ARE:	TITLE:	DWG NO:
ONE PLACE DECIMALS ±.1	THREE PLACE DECIMALS ± .005		ANGLES ± 2°	ZML ASSEMBLY	ZML-1XX-XX-XX-X
TWO PLACE DECIMALS ±.01	FOUR PLACE DECIMALS ± .0020				SHEET 1 OF 1



ZML-1XX-XX-XX-X

NO. OF POSITIONS
-05 THRU -50

LEAD STYLE
SEE TABLE 2

ROW SPECIFICATION
-D: DOUBLE (USE TML-XX-D-LC & HTMS-50-D)
-S: SINGLE (USE TML-XX-S & HTMS-50-S)

PLATING SPECIFICATION

- G: GOLD- (SEE T-1M6-XX-G-2)
- S: SELECTIVE- (SEE T-1M6-XX-S-2)
- H: HEAVY GOLD- (SEE T-1M6-XX-H-2)
- T: SEE NOTE 2
- TM: MATTE TIN (SEE T-1M6-XX-T-2)
- SM: SELECTIVE GOLD/MATTE TIN TAIL (SEE T-1M6-XX-S-2)

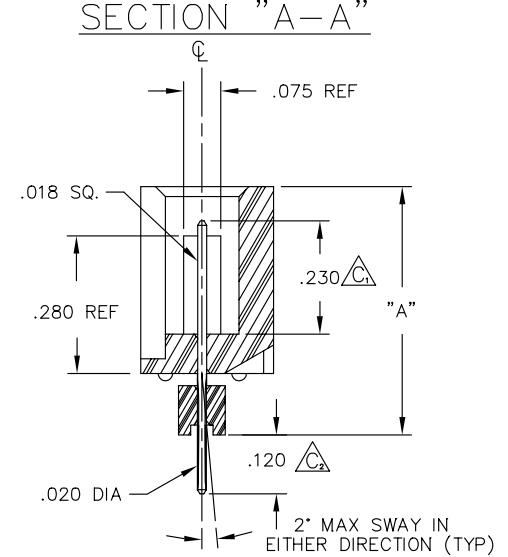
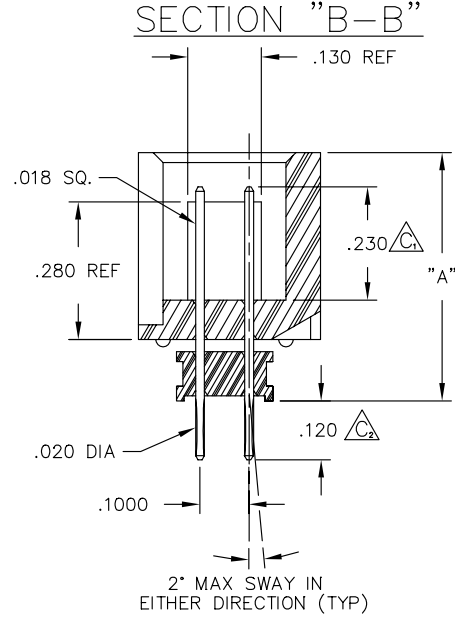
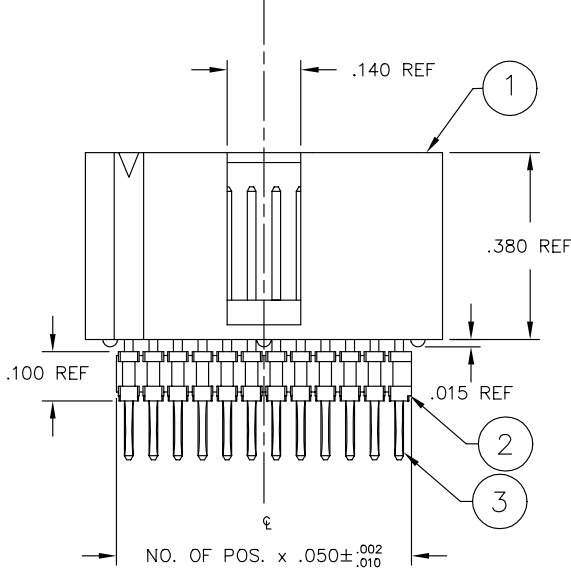
TABLE 1

1	TML-XX-X-XX
2	HTMS-50-X
3	T-1M6-XX-XX-2

TABLE 2

LEAD STYLE	TERMINAL	"A"
-01	T-1M6-14-XX-2	.505
-02	T-1M6-03-XX-2	.560
-03	T-1M6-05-XX-2	.655
-04	T-1M6-16-XX-2	.775

DO NOT SCALE FROM THIS PRINT



NOTES:

- 1.) Δ REPRESENTS A CRITICAL DIMENSION FOR STATISTICAL PROCESS CONTROL USE.
- 2.) TIN PLATING SUPPORTED FOR EXISTING CUSTOMERS ONLY.

PROPRIETARY NOTE
THIS DOCUMENT CONTAINS INFORMATION CONFIDENTIAL AND PROPRIETARY TO SAMTEC INC. AND SHALL NOT BE REPRODUCED OR TRANSFERRED TO OTHER DOCUMENTS OR DISCLOSED TO OTHERS OR USED FOR ANY PURPOSE OTHER THAN THAT FOR WHICH IT WAS OBTAINED WITHOUT THE EXPRESSED WRITTEN CONSENT OF SAMTEC INC.

PLOT SCALE 1=2

MISC/MKGT
samtec
ZML-MKT

750 PARK EAST BLVD. NEW ALBANY, INDIANA 47150
PHONE (812) 944-6733 P.O. BOX 1147
CODE 55322

MADE BY: GREG REIDINGER 4-4-91
CHECKED BY: ECKERT

ENG. APPROVAL
PAE

ZML-1XX-XX-XX-X
SHEET 1 OF 1