

Type: CDH20D14D

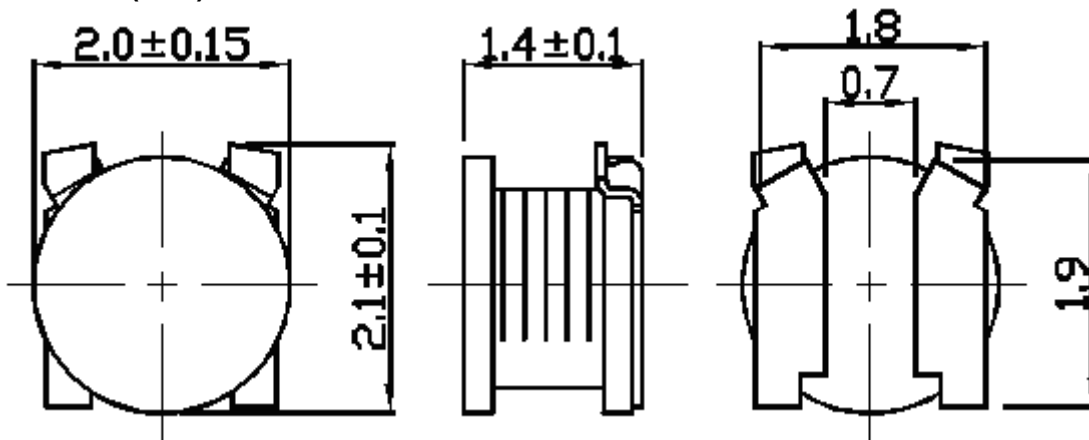
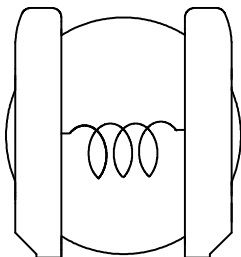
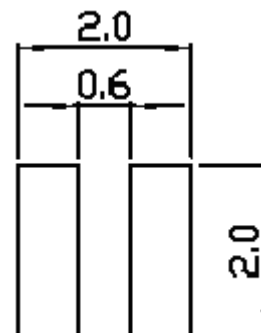
Under Development

◆ Product Description

- 2.20×2.15mm Max.(L×W), 1.5mm Max. Height.
- Inductance range: 0.44~15μH;
- Rated current range: 0.32~1.88A;
- Custom design is available.


◆ Feature

- Magnetically unshielded construction.
- Storage temperature range: -40°C~+105°C.
- Operating temperature range: -40°C~+105°C (including coil's self-heat).
- Ideally used in Mobilephone,PDA,MP3,DSC/DVC,HDD,etc as DC-DC converter inductors.
- Product weight: 0.016g (Ref.).
- RoHS compliance.

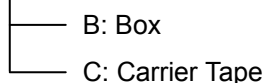
◆ Dimensions (mm)

◆ Schematics (Bottom)

◆ Land Pattern (mm)


Type: CDH20D14D
◆ Specification

Part No. ※	Stamp	Inductance (μ H) at 100KHz	D.C.R. (m Ω) (at 20°C)	Saturation Current (A) ※1	Temperature Rise Current (A) ※2
CDH20D14DNP-R44N□	A	0.44±30%	43±25%	2.60	1.88
CDH20D14DNP-R72N□	B	0.72±30%	56±25%	2.10	1.60
CDH20D14DNP-1R0N□	C	1.0±30%	68±25%	1.75	1.52
CDH20D14DNP-1R5N□	E	1.5±30%	100±20%	1.50	1.16
CDH20D14DNP-2R2M□	G	2.2±20%	175±20%	1.19	0.82
CDH20D14DNP-3R3M□	J	3.3±20%	215±20%	1.03	0.74
CDH20D14DNP-4R7M□	L	4.7±20%	265±20%	0.88	0.70
CDH20D14DNP-6R8M□	P	6.8±20%	385±20%	0.75	0.51
CDH20D14DNP-100M□	R	10±20%	765±20%	0.56	0.38
CDH20D14DNP-150M□	T	15±20%	1000±20%	0.47	0.32

※ Description of part name

CDH20D14DNP-1R0N□



B: Box
C: Carrier Tape

※1.Saturation current: The DC current at which the inductance decreases to 70% of its nominal value.

※2.Temperature rise current: The DC current at which the temperature rise is $\Delta t=40^{\circ}\text{C}$.($T_a=20^{\circ}\text{C}$).