

**USB mini-B series right-angle SMT type 5-contacts female connector**  
**QZF-MB5LFYG( )A2( )( )+C**

<b>Standardized</b>
<b>For PCB</b>
<b>Right-angle SMT</b>
<b>USB 2.0 standard</b>

RoHS

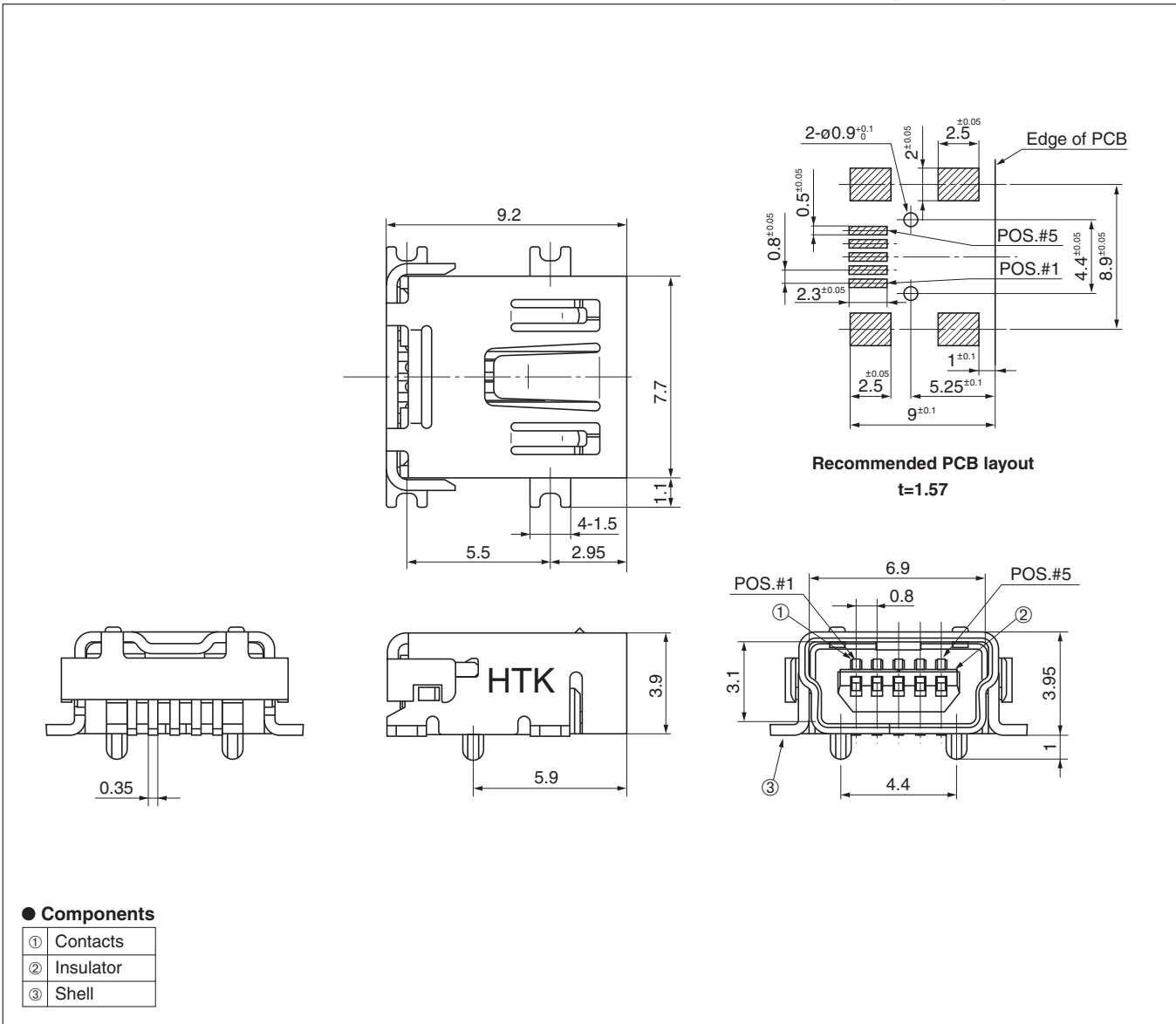


● Configuration of product Part No.

**QZF- MB 5 LFY G( ) A2 ( ) ( )+C**

- |  |                   |
|--|-------------------|
| ① Series name  | ⑥ Insulator color |
| ② Type of connector<br>MB: mini-B series               | D: Black          |
| ③ No. of contacts: 5                                   | ⑦ Logo mark       |
| ④ Type of contact<br>LFY: Right-angle SMT type, female | #H: HONDA logo    |
| ⑤ Contact plating<br>G7: 0.76 μm Gold plate            |                   |

Note: Minimum order size is 700 items.  
 If you would like to order more than this, please make orders in amounts of 700 pieces, for example 1,400 pieces, 2,100 pieces, etc...



Mating connectors: USB mini-B series connector for cable (USB 2.0 standard)