

SPECIFICATIONS

D-SUB Connector

Mechanical

Contact Retention Force: 1.36kg (3.00Lb) min.
Contact Engagement Force: 0.34kg (0.75Lb) max.
Contact Separation Force: 0.021kg (0.05Lb) min.
Durability: 500 Cycles

ZD Series

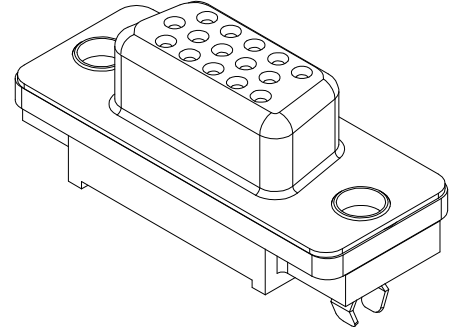
Vertical Type, T/H
2.29mm [.090"] Pitch
15 Pos.

Electrical

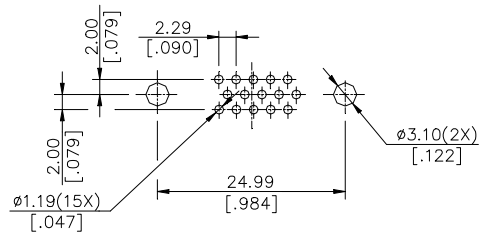
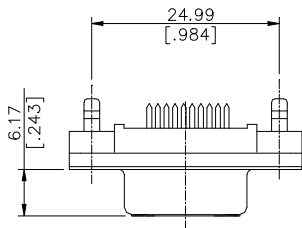
Current Rating: 2A
Contact Resistance: 15mW max.
Dielectric Withstanding Voltage: 1000V AC/1min min.
Insulation Resistance: 5000MW min.

Physical

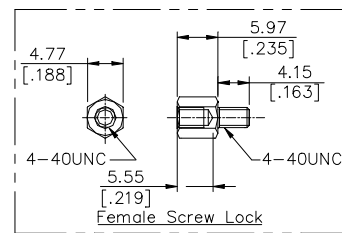
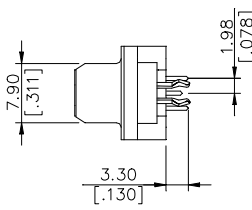
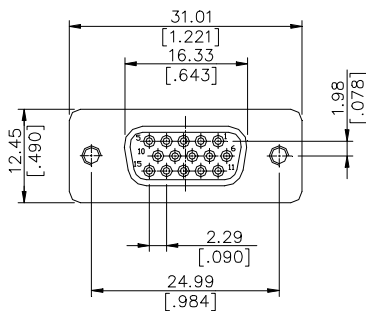
Housing: Thermoplastic, UL 94V-0 rated in Blue 661C Color
Contact: Copper alloy
Plating: See "ORDERING INFORMATION"
Operating Temperature: -20 to +85
Recommended Thickness of PCB: 1.57[.062]



DRAWING



RECOMMENDED P.C.B. LAYOUT



ORDERING INFORMATION

PRODUCT NO.: ZD A D A *-155* - AF

- D-SUB Series
- Body Type
- A= Straight PCB Mount
- Termination Type
- D= Socket Low Profile
- No. of Pos.
- A=H/D 15 Pos.
- Contact Area Plating
- 1=Gold Flash
- 2=20u" Gold
- 3=30u" Gold
- Packing Code
- Extension Code
- 1551=With Female Screw Lock
- 1550=Without Female Screw Lock