

T1-3/4 VARIABLE HEIGHT DIFFUSED INDICATORS

PART NO: **BP280 TR5A-2V-050N**

MODEL	LENS, COLOR, BRIGHT	LED COLOR	LEDTRONICS LED USED	ELECTRO-OPTICAL CHARACTERISTICS Ta=25°C Ir=100µA(MAX)			FEATURES
				If typ/max	Iv mcd TYP	Vf V TYP/MAX	

T1-3/4 (5mm) VARIABLE HEIGHT DIFFUSED INDICATORS BIPIN LEDs

BP280	TR1	STD RED	L200TR1	20/50	2.2	1.7/2.2	655	'A' DIM 050 .50 060 .60 070 .70 080 .80 090 .90 100 1.000
	TR2	HI RED	L200TR2	20/20	6.0	2.1/2.8	697	
	TR4	HI-EFF RED	L200TR4D	20/30	9.0	2.1/2.8	635	
	TR5A	HI-EFF RED	L200TR5A	20/30	38.0	2.0/2.8	635	
	TR6	ULTRA RED	L200TR6A	20/30	50.0	1.8/2.4	660	
	TO5	PURE ORANGE	L200TO5S	20/50	24.0	2.1/2.0	610	
	TY4	AMBER YELLOW	L200TY4D	20/20	6.0	2.1/2.8	585	
	TY5A	AMBER YELLOW	L200TY5A	20/20	25.0	2.2/2.8	585	
	TY5	LIME YELLOW	L200TY5S	20/50	45.0	2.1/2.5	570	
	TG4	HI-EFF GREEN	L200TG4D	20/30	6.0	2.1/2.8	565	
	TG5A	HI-EFF GREEN	L200TG5A	20/30	25.0	2.2/2.8	565	
	TPG5	PURE GREEN	L200TPG5S	20/50	12.0	2.2/2.5	555	
	TB4	BLUE	L200TB4	20/50	4.0	2.9/3.7	470	

T1-3/4 (5mm) VARIABLE HEIGHT CLEAR ILLUMINATOR BIPIN LEDs

BP280	CWR6	ULTRA RED	L200CWR6	20/30	160.0	1.8/2.4	660	'A' DIM 050 .50 060 .60 070 .70 080 .80 090 .90 100 1.000
	CWR5H	HI-EFF RED	L200CWR5H	20/30	125.0	2.2/2.5	635	
	CR5A	HI-EFF RED	L200CR5A	20/30	80.0	2.0/2.8	635	
	CW05S	PURE ORANGE	L200CW05S	20/50	90.0	2.2/2.5	605	
	CWY5H	AMBER YELLOW	L200CWY5H	20/20	140.0	2.2/2.5	585	
	CY5A	AMBER YELLOW	L200CY5A	20/20	66.0	2.2/2.8	585	
	CWLY5S	LIME YELLOW	L200CWLY5S	20/50	160.0	2.2/2.5	570	
	CWG5H	HI-EFF GREEN	L200CWG5H	20/30	120.0	2.2/3.0	565	
	CG5A	HI-EFF GREEN	L200CG5A	20/30	90.0	2.2/2.8	565	
	CWPG5S	PURE GREEN	L200CWPG5S	20/50	80.0	2.2/2.5	555	
	CPG6S	PURE GREEN	L200CPG6S	20/50	150.0	2.2/2.8	555	
	CWB5	BLUE	L200CWB5	20/50	20.0	2.9/3.7	470	

T1-3/4 (5mm) VARIABLE HEIGHT 5V & 12V RESISTOR LEDs

BP280	TR1	STD RED	L200TR1-5V10	13/20	3.0	5.0/7.5	655	'A' DIM 050 .50 060 .60 070 .70 080 .80 090 .90 100 1.000
	TR3	HI-EFF RED	L200TR3-5V10	10/15	8.0	5.0/7.5	635	
	TO3	PURE ORANGE	L200TO3-5V13	10/15	4.0	5.0/7.5	610	
	TY3	AMBER YELLOW	L200TY3-5V10	10/15	8.0	5.0/7.5	583	
	TG3	HI-EFF GREEN	L200TG3-5V12	12/15	8.0	5.0/7.5	565	
	TR1	STD RED	L200TR1-12V10	10/15	3.0	12.0/15.0	655	
	TR3	HI-EFF RED	L200TR3-12V13	13/20	8.0	12.0/15.0	635	
	TY3	AMBER YELLOW	L200TY3-12V13	13/20	8.0	12.0/15.0	583	
	TG3	HI-EFF GREEN	L200TG3-12V13	13/20	8.0	12.0/15.0	565	

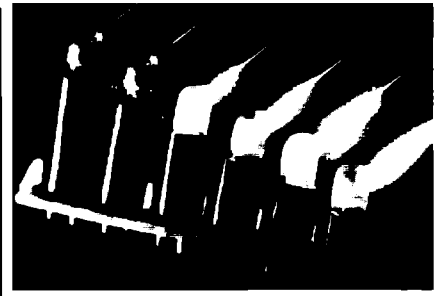
T1-3/4 (5mm) VARIABLE HEIGHT INFRARED BIPIN LEDs

BP280	CWIR850	INFRARED	L200CWIR850	50/100	80 mW/cm ²	1.55/2.0	850	SAME AS ABOVE
	CWIR880	INFRARED	L200CWIR880	20/50	1.4 mW/cm ²	1.3/1.8	880	
	CWIR940	INFRARED	L200CWIR940	20/50	1.4 mW/cm ²	1.3/1.7	940	

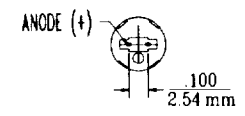
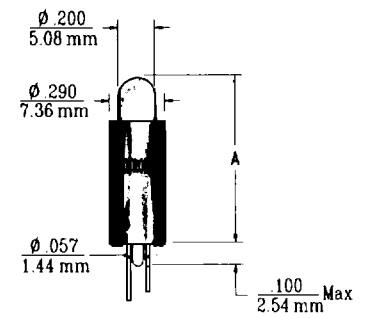
SPECIALS:

- BIPOLAR LEDs
- BLINKING/FLASHING LEDs
- LOW CURRENT 2mA LEDs
- (6-CHIP) WIDE ANGLE ILLUMINATORS
- DUAL CHIP LEDs
- BICOLOR/TRICOLOR LEDs

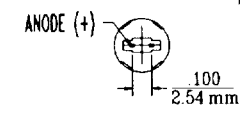
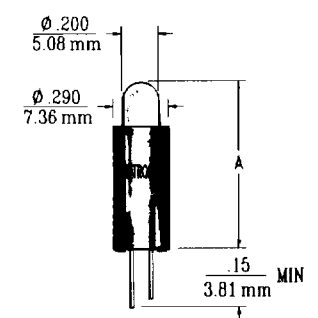
Topr = -30°C TO +85°C Tstg = -30°C TO +100°C



BP280-0XOT



BP280-0XON



MODEL NO.	A	TAB INCLUDED
050T	.50	YES
050N	.50	NO
060T	.60	YES
060N	.60	NO
070T	.70	YES
070N	.70	NO
080T	.80	YES
080N	.80	NO
090T	.90	YES
090N	.90	NO
100T	1.00	YES
100N	1.00	NO