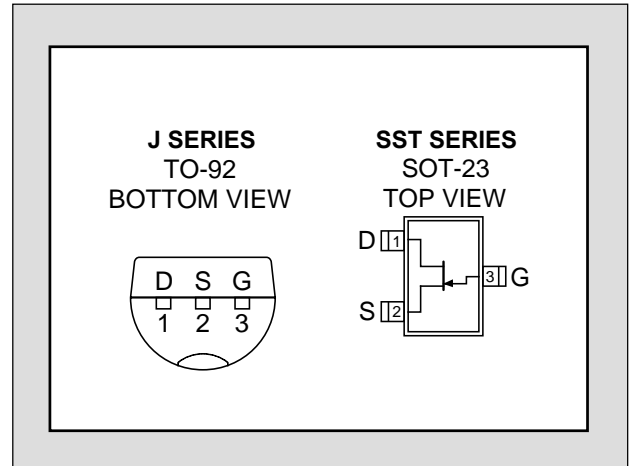


J/SST201 SERIES

HIGH GAIN N-CHANNEL JFET

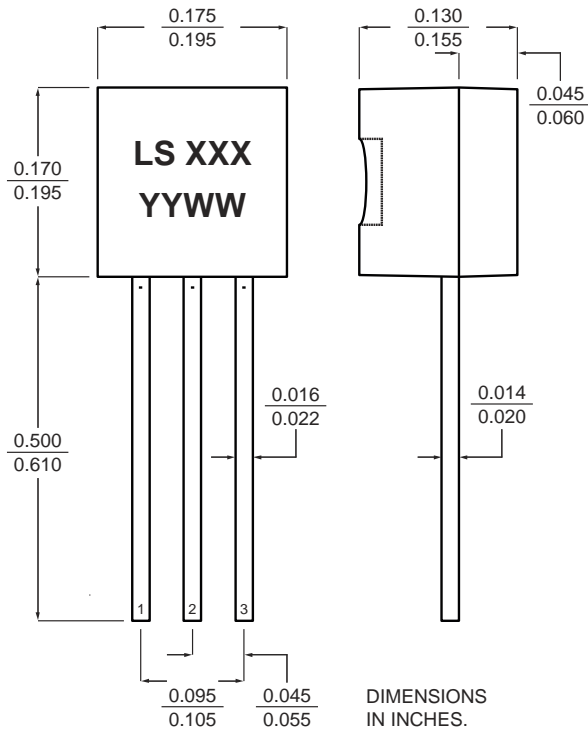
FEATURES	
DIRECT REPLACEMENT FOR SILICONIX J/SST201 SERIES	
LOW CUTOFF VOLTAGE	$V_{GS(off)} \leq 1.5V$
HIGH GAIN	$A_v = 80 V/V$
ABSOLUTE MAXIMUM RATINGS ¹	
@ 25 °C (unless otherwise stated)	
Maximum Temperatures	
Storage Temperature	-65 to +150 °C
Operating Junction Temperature	-55 to +135 °C
Maximum Power Dissipation	
Continuous Power Dissipation	350mW
Maximum Current	
Forward Gate Current	50mA
Maximum Voltages	
Gate to Drain Voltage	-40V
Gate to Source Voltage	-40V



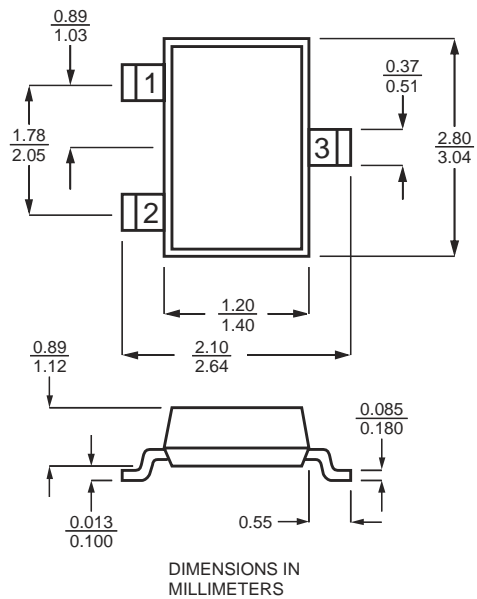
ELECTRICAL CHARACTERISTICS @ 25 °C (unless otherwise stated)

SYMBOL	CHARACTERISTIC		MIN	TYP	MAX	UNITS	CONDITIONS
BV _{GSS}	Gate to Source Breakdown Voltage	J/SST201, 202	-40			V	I _G = -1μA, V _{DS} = 0V
		J/SST204	-25				
V _{GS(off)}	Gate to Source Cutoff Voltage	J/SST201	-0.3		-1.5	V	V _{DS} = 15V, I _D = 10nA
		J/SST202	-0.8		-4		
		J/SST204	-0.3		2		
I _{DSS}	Drain to Source Saturation Current ²	J/SST201	0.2		1	mA	V _{DS} = 15V, V _{GS} = 0V
		J/SST202	0.9		4.5		
		J/SST204	0.2		3		
I _{GSS}	Gate Reverse Current		-2		-100	pA	V _{GS} = -20V, V _{DS} = 0V
I _G	Gate Operating Current			-2			V _{DG} = 10V, I _D = 0.1mA
I _{D(off)}	Drain Cutoff Current			2			V _{DS} = 15V, V _{GS} = -5V
g _{fs}	Forward Transconductance	J/SST201, 204	0.5			mS	V _{DS} = 15V, V _{GS} = 0V, f = 1kHz
		J/SST202	1				
C _{iss}	Input Capacitance			4.5		pF	V _{DS} = 15V, V _{GS} = 0V, f = 1MHz
C _{rss}	Reverse Transfer Capacitance			1.3			
e _n	Noise Voltage			6		nV/√Hz	V _{DS} = 10V, V _{GS} = 0V, f = 1kHz

TO-92



SOT-23



1. Absolute maximum ratings are limiting values above which serviceability may be impaired.
2. Pulse Test: $PW \leq 300\mu s$, Duty Cycle $\leq 3\%$

Information furnished by Linear Integrated Systems is believed to be accurate and reliable. However, no responsibility is assumed for its use; nor for any infringement of patents or other rights of third parties which may result from its use. No license is granted by implication or otherwise under any patent or patent rights of Linear Integrated Systems.

J201/SST201 Series

Ordering and Part Marking Information

5/18/09

SUBJECT: J201/SST201 Series Ordering and Part Marking Information

The J201 Series Single N-Channel JFET Amplifiers are offered in a TO-92, 3 lead package and includes the following part numbers: **J201, J202, J204**

The SSTJ201 Series Single N-Channel JFET Amplifiers are offered in a SOT23, 3 lead package and includes The following part numbers: **SST201, SSTJ202, SST204**

Ordering Information:

Parts are available with ROHS Compliant/Leadfree package versions as well as package versions that contain lead. Parts are available tested to the Standard Datasheet limits and conditions, as well and Special limits and conditions provided by the customer. When ordering your part please be aware of the 4 options you have:

J201 TO-92 3L	-----Electrically tested to Standard Datasheet Limits/Conditions, Lead or Leadfree/ROHS Compliant package not specified.
J201 TO-92 3L-Select	-----Electrically tested to Special Customer Limits/Conditions, Lead or Leadfree/ROHS Compliant package not specified.
J201 TO-92 3L ROHS	-----Electrically tested to Standard Datasheet Limits/Conditions, Leadfree/ROHS Compliant package requested, marked with the letter "F"
J201 TO-92 3L-ROHS-Select	-----Electrically tested to Special Customer Limits/Conditions, Leadfree/ROHS Compliant package requested, marked with the letter "F"
SST201 SOT23 3L	-----Electrically tested to Standard Datasheet Limits/Conditions, Lead or Leadfree/ROHS compliant package not specified.
SST201 SOT23 3L-Select	-----Electrically tested to Special Customer Limits/Conditions, Lead or Leadfree/ROHS Compliant package not specified.
SST201 SOT23 3L ROHS	-----Electrically tested to Standard Datasheet Limits/Conditions, Leadfree/ROHS Compliant package requested, marked with the letter "F"
SST201 SOT23 3L -ROHS-Select	-----Electrically tested to Special Customer Limits/Conditions, Leadfree/ROHS Compliant package requested., marked with the letter "F"

Important Part Marking Information:

In the event you are ordering multiple versions of the J201/SST201 series it is very important that you **keep both groups of parts separate from each other and do not mix.** Each container/reel/bag of parts is labeled with the complete part number you have ordered. **The parts are NOT marked with the complete part number. The parts are marked with the SAME part number, and can be easily mixed with the wrong part number in the event proper inventory control procedures are not followed at customer level.**

As a result of our manufacturing flow, the entire wafer may contain more than one part number per wafer. The entire wafer is tested to the all of the J/SST201 limits. The wafer is sent out for assembly where the parts are marked prior to test. At test, the parts are separated into the individual part numbers then labeled and placed into inventory. Due to the space restrictions on the number of digits we can print on the two different package types, and our inability to remark the part after test limit our ability mark individual or complete part numbers.

Device Marking Prior to Date Code 0900:

Prior to date code 0900, there were different devices marking which may have been used . We now are standardizing our part marking avoid confusion at the customer level. All of the part marking that is listed in this document represents how the devices will be marked in the future. Any different marking represents old/past part marking which has been replace with the part marking as listed below.

Vishay/Siliconix Part Number	Package	LIS Part Number	Part Marking
J201	TO-92 3L	J201 TO-92 3L	LS J20 or LS J20F
		J201 TO-92 3L SELECT	LS J20 or LS J20F
		J201 TO-92 3L RoHS	LS J20F
		J201 TO-92 3L RoHS SELECT	LS J20F
J202	TO-92 3L	J202 TO-92 3L	LS J20 or LS J20F
		J202 TO-92 3L SELECT	LS J20 or LS J20F
		J202 TO-92 3L RoHS	LS J20F
		J202 TO-92 3L RoHS SELECT	LS J20F
J204	TO-92 3L	J204 TO-92 3L	LS J20 or LS J20F
		J204 TO-92 3L SELECT	LS J20 or LS J20F
		J204 TO-92 3L RoHS	LS J20F
		J204 TO-92 3L RoHS SELECT	LS J21F
SST201	SOT-23 3L	SST201 SOT-23 3L	20 or 20F
		SST201 SOT-23 3L SELECT	20 or 20F
		SST201 SOT-23 3L RoHS	20F
		SST201 SOT-23 3L RoHS SELECT	20F
SST202	SOT-23 3L	SST202 SOT-23 3L	20 o20F

		SST202 SOT-23 3L SELECT	20 or 20F
		SST202 SOT-23 3L RoHS	20F
		SSJ202 SOT-23 3L RoHS SELECT	20F
SST204	SOT-23 3L	SST204 SOT-23 3L	20 o20F
		SST204 SOT-23 3L SELECT	20 or 20F
		SST204 SOT-23 3L RoHS	20F
		SS204 SOT-23 3L RoHS SELECT	20F