

NOTES:

1. $\text{\textcircled{C}}$ REPRESENTS CRITICAL DIMENSION.
2. CRITICAL DIMENSIONS ON PCB LAYOUT APPLY TO THE ASSEMBLY
3. LED FORWARD VOLTAGE IS 2.3V TYP. REVERSE VOLTAGE IS 5V. FORWARD DC IS 20mA.
4. PLATING APPLIES TO MATING AREA, GOLD FLASH ON TAILS. ALL PLATING OVER NICKEL UNDERCOAT.
5. PIN NUMBERS REFLECT PIN CALLOUT ON THE CONNECTOR, NOT USER WIRING ASSIGNMENT.

MODM-D-XX-8P8C-X-XX-X-X

TYPE

-D

PORTS

-02

-04

-08

POSITIONS/CONTACTS

-8P8C: 8 POS/8 CON

LED 2

-X: CODE (SEE TABLE 2)

-N: NO LED

LED 1

-X: CODE (SEE TABLE 2)

-N: NO LED

-N OPTION MUST BE IN LED 1 AND LED 2

SHIELD

-S: NO PG (PANEL GROUNDS)

-S4: TOP, BOTTOM, AND BOTH SIDES PG

(SEE TABLE 3)

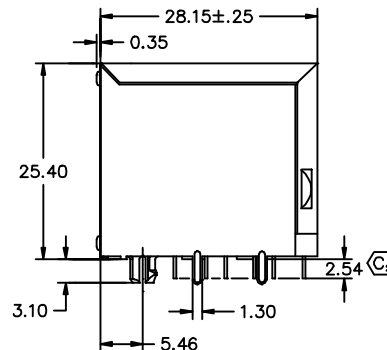
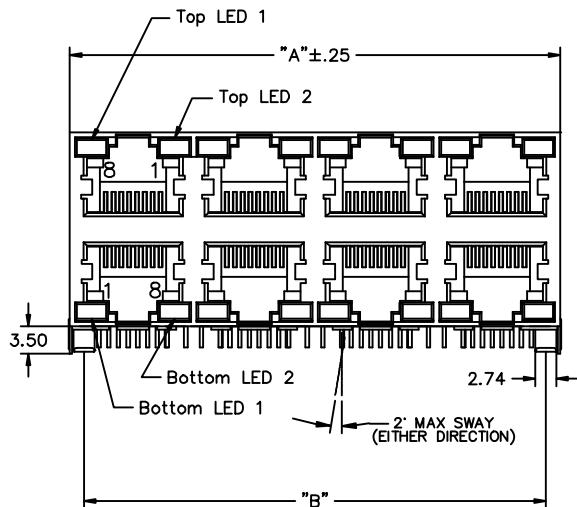
PLATING $\text{\textcircled{C}}$

-S: .000030" GOLD

(SEE NOTE 4)

-L: .000010" GOLD

-U: .000050" GOLD



PANEL GROUNDS

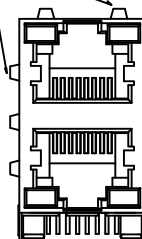
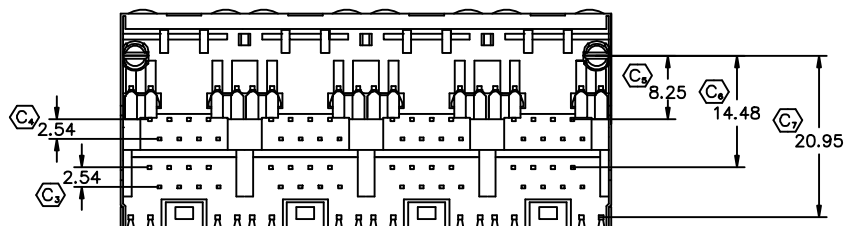


FIG. 2
(SAME AS FIGURE 1 EXCEPT AS SHOWN)
-S4 OPTION SHOWN

TABLE 1			
DIMENSION	2 PORT	4 PORT	8 PORT
"A"	16.51	32.26	63.65
"B"	12.70	28.45	59.95
"C"	16.25	32.00	63.50
"D"	17.51	33.26	64.65



UNLESS OTHERWISE SPECIFIED, DIMENSIONS ARE IN MM. TOLERANCES ARE:
DECIMALS ANGLES
.X: ±.25 2°
.XX: ±.13
.XXX: ±.05

PROPRIETARY NOTE
THIS DOCUMENT CONTAINS INFORMATION CONFIDENTIAL AND PROPRIETARY TO SAMTEC INC. AND SHALL NOT BE REPRODUCED OR TRANSMITTED TO OTHER DOCUMENTS OR DISCLOSED TO OTHERS OR USED FOR ANY PURPOSE OTHER THAN THAT FOR WHICH IT WAS OBTAINED WITHOUT THE EXPRESSED WRITTEN CONSENT OF SAMTEC INC.



520 PARK EAST BLVD. NEW ALBANY, IN 47150
(812) 944-6733 P.O. BOX 1147 TWX: 810-540-4085

DO NOT SCALE DRAWING
INSULATOR: PBT 20% GLASS FILLED
SPRING WIRE: .35MM PHOS BRONZE
SHELL: COPPER ALLOY

SHEET SCALE: 1:2

MAX FLASH ALLOWED: .061
MAX GATE VESTIGE: .051
F:\DWG\EXISPROD\ASSEMBLY\0\MODJACKS\MODM

DESCRIPTION:
RJ45 8 POS. DOUBLE DECK GANG SHIELDED JACK WITH LED

DWG. NO.
MODM-D-XX-8P8C-X-XX-X-X

BY: J. Riley 02/3/04 SHEET 1 OF 2

DATE: 5/5/02