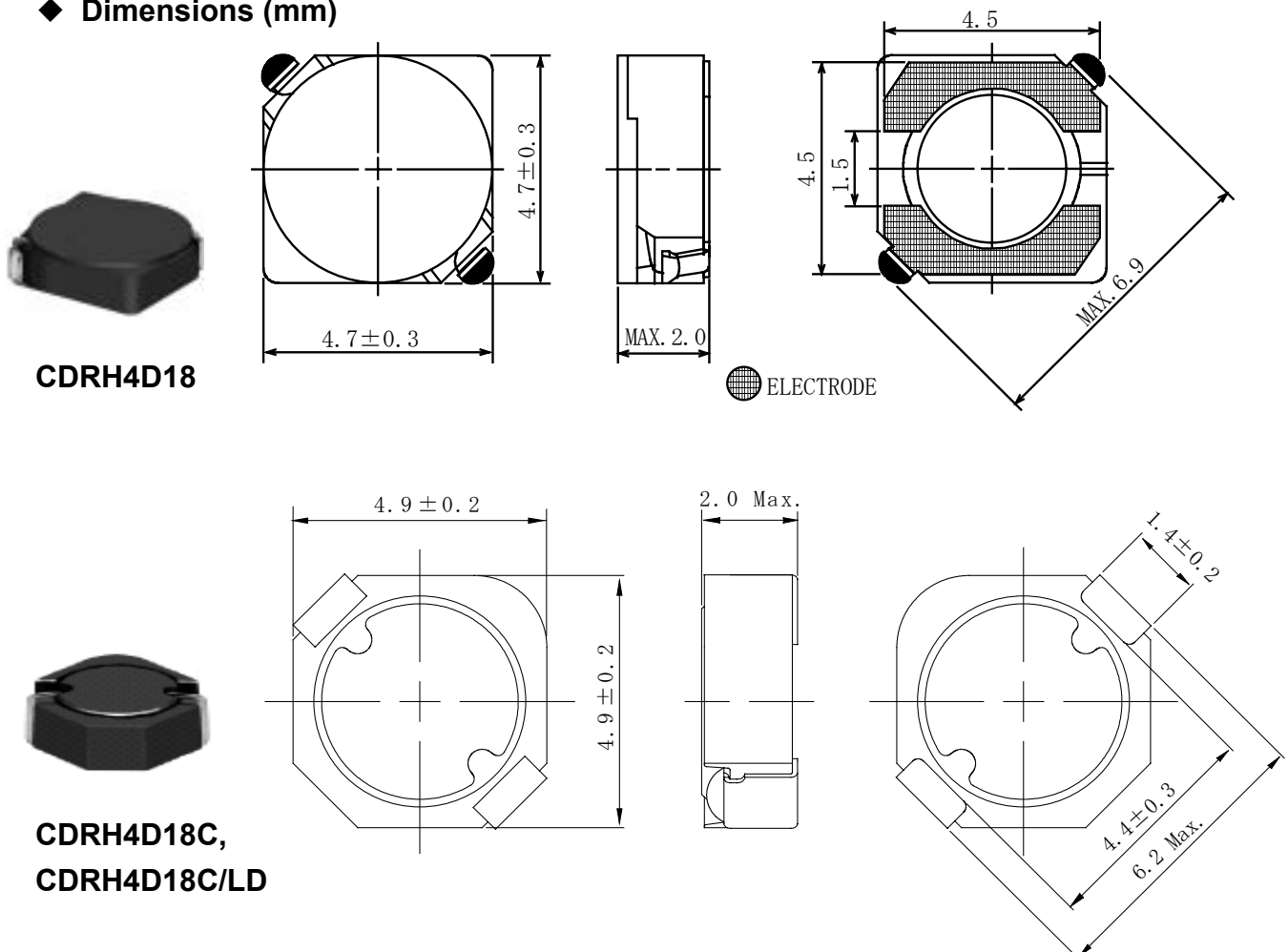


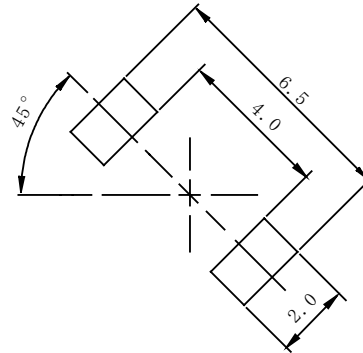
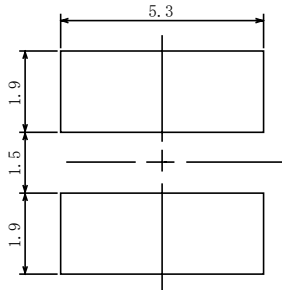
**Type: CDRH4D18 , CDRH4D18C , CDRH4D18C/LD**
**◆ Product Description**

- 5.0×5.0mm Max.(L×W), 2.0mm Max. Height.(CDRH4D18)
- 5.1×5.1mm Max.(L×W), 2.0mm Max. Height.(CDRH4D18C,CDRH4D18C/LD)
- Standard type CDRH4D18, CDRH4D18C and Low DCR type CDRH4D18C/LD are available.
- Inductance range:1.0~180 μ H(CDRH4D18); 1.1~100 μ H(CDRH4D18C,CDRH4D18C /LD);
- Rated current range:0.14~1.72A(CDRH4D18); 0.25~2.4A(CDRH4D18C); 0.2~2.1A (CDRH4D18C /LD);
- In addition to the standards versions shown here, custom inductors are also available to meet your exact requirements.

**◆ Feature**

- Magnetically shielded construction.
- Ideally used in Mobile phone,PDA,MP3,HDD,DSC/DVC,Note book PC,etc as DC-DC Converter inductors.
- RoHS Compliance.

**◆ Dimensions (mm)**


**Type: CDRH4D18, CDRH4D18C, CDRH4D18C/LD**
**◆ Land Pattern (mm)**

**CDRH4D18**
**CDRH4D18C, CDRH4D18C/LD**
**◆ Specification(CDRH4D18)**

Part No. ※	Stamp	Inductance [Within]	D.C.R.(Ω) Max.(Typ.) (at 20°C)	Rated Current (A)※1-1	Measuring frequency
CDRH4D18NP-1R0N□	1R0	1.0 μH ± 30%	45m(35m)	1.72	at 7.96MHz
CDRH4D18NP-2R2N□	2R2	2.2 μH ± 30%	75m(58m)	1.32	
CDRH4D18NP-2R7N□	2R7	2.7 μH ± 30%	105m(80m)	1.28	
CDRH4D18NP-3R3N□	3R3	3.3 μH ± 30%	110m(85m)	1.04	
CDRH4D18NP-3R9N□	3R9	3.9 μH ± 30%	155m(120m)	0.88	
CDRH4D18NP-4R7N□	4R7	4.7 μH ± 30%	162m(125m)	0.84	
CDRH4D18NP-5R6N□	5R6	5.6 μH ± 30%	170m(130m)	0.80	
CDRH4D18NP-6R8N□	6R8	6.8 μH ± 30%	200m(155m)	0.76	
CDRH4D18NP-8R2N□	8R2	8.2 μH ± 30%	245m (190m)	0.68	
CDRH4D18NP-100N□	100	10 μH ± 30%	200m (148m)	0.61	at 100kHz
CDRH4D18NP-120N□	120	12 μH ± 30%	210m (156m)	0.56	
CDRH4D18NP-150N□	150	15 μH ± 30%	240m (178m)	0.50	
CDRH4D18NP-180N□	180	18 μH ± 30%	338m (250m)	0.48	
CDRH4D18NP-220N□	220	22 μH ± 30%	397m (294m)	0.41	
CDRH4D18NP-270N□	270	27 μH ± 30%	441m (327m)	0.35	
CDRH4D18NP-330N□	330	33 μH ± 30%	694m (514m)	0.32	
CDRH4D18NP-390N□	390	39 μH ± 30%	709m (525m)	0.30	
CDRH4D18NP-470N□	470	47 μH ± 30%	922m (683m)	0.28	
CDRH4D18NP-560N□	560	56 μH ± 30%	1.08 (800m)	0.26	
CDRH4D18NP-680N□	680	68 μH ± 30%	1.30 (1.00)	0.24	
CDRH4D18NP-820N□	820	82 μH ± 30%	1.56 (1.20)	0.22	
CDRH4D18NP-101N□	101	100 μH ± 30%	1.73 (1.33)	0.20	
CDRH4D18NP-121N□	121	120 μH ± 30%	2.39 (1.84)	0.18	
CDRH4D18NP-151N□	151	150 μH ± 30%	2.67 (2.05)	0.15	
CDRH4D18NP-181N□	181	180 μH ± 30%	4.00 (3.05)	0.14	

※1-1. Rated current: The DC current at which the inductance decreases to 65% of it's nominal value

**Type: CDRH4D18, CDRH4D18C, CDRH4D18C/LD**

or when  $\Delta t=40^{\circ}\text{C}$ , whichever is lower( $T_a=20^{\circ}\text{C}$ ).

**◆ Specification(CDRH4D18C)**

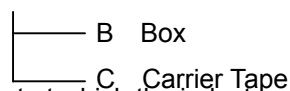
Part No. ※	Stamp	Inductance [Within] 1 00kHz/1V	D.C.R.( $\Omega$ ) Max.(Typ.) (at $20^{\circ}\text{C}$ )	Rated Current (A)※1-1
CDRH4D18CNP-1R1P□	A	1.1 $\mu\text{H}\pm 25\%$	29m(23m)	2.4
CDRH4D18CNP-2R2P□	B	2.2 $\mu\text{H}\pm 25\%$	39m(31m)	1.7
CDRH4D18CNP-3R3P□	C	3.0 $\mu\text{H}\pm 25\%$	61m(49m)	1.5
CDRH4D18CNP-4R7P□	D	4.7 $\mu\text{H}\pm 25\%$	110m(88m)	1.15
CDRH4D18CNP-6R8P□	E	6.8 $\mu\text{H}\pm 25\%$	125m(100m)	1.05
CDRH4D18CNP-10OP□	F	10 $\mu\text{H}\pm 25\%$	156m(125m)	830m
CDRH4D18CNP-15OP□	G	15 $\mu\text{H}\pm 25\%$	194m(155m)	700m
CDRH4D18CNP-22OP□	H	22 $\mu\text{H}\pm 25\%$	323m(258m)	600m
CDRH4D18CNP-33OP□	I	33 $\mu\text{H}\pm 25\%$	550m(440m)	460m
CDRH4D18CNP-47OP□	J	47 $\mu\text{H}\pm 25\%$	783m(626m)	410m
CDRH4D18CNP-68OP□	K	68 $\mu\text{H}\pm 25\%$	1.16(925m)	305m
CDRH4D18CNP-101P□	L	100 $\mu\text{H}\pm 25\%$	1.51(1.21)	250m

**◆ Specification(CDRH4D18C/LD)**

Part No. ※	Stamp	Inductance [Within] 1 00kHz/1V	D.C.R.(m $\Omega$ ) Max.(Typ.) (at $20^{\circ}\text{C}$ )	Saturation Current(A) ※1-2	Temperature rise current (A) ※2
CDRH4D18CLDNP-1R1P□	A	1.1 $\mu\text{H}\pm 25\%$	24(19)	2.10	3.50
CDRH4D18CLDNP-2R2P□	B	2.2 $\mu\text{H}\pm 25\%$	31(25)	1.30	2.80
CDRH4D18CLDNP-3R3P□	C	3.3 $\mu\text{H}\pm 25\%$	49(39)	1.10	2.20
CDRH4D18CLDNP-4R7P□	D	4.7 $\mu\text{H}\pm 25\%$	61(49)	0.90	2.00
CDRH4D18CLDNP-6R3P□	E	6.3 $\mu\text{H}\pm 25\%$	74(59)	0.75	1.60
CDRH4D18CLDNP-10OP□	F	10 $\mu\text{H}\pm 25\%$	110(88)	0.60	1.20
CDRH4D18CLDNP-15OP□	G	15 $\mu\text{H}\pm 25\%$	151(121)	0.50	1.05
CDRH4D18CLDNP-22OP□	H	22 $\mu\text{H}\pm 25\%$	202(162)	0.42	0.90
CDRH4D18CLDNP-33OP□	I	33 $\mu\text{H}\pm 25\%$	327(262)	0.35	0.69
CDRH4D18CLDNP-47OP□	J	47 $\mu\text{H}\pm 25\%$	456(365)	0.31	0.57
CDRH4D18CLDNP-68OP□	K	68 $\mu\text{H}\pm 25\%$	632(506)	0.26	0.46
CDRH4D18CLDNP-101P□	L	100 $\mu\text{H}\pm 25\%$	962(770)	0.20	0.35

**※ Description of part name**

CDRH4D18CLDNP-1R1P□



※1-2.Saturation Current: The DC current at which the inductance decreases to 65% of its nominal value

※2 Temperature rise current: The DC current at which the temperature rise is  $\Delta t=40^{\circ}\text{C}$ .( $T_a=20^{\circ}\text{C}$ )

**Type: CDRH4D18 , CDRH4D18C , CDRH4D18C/LD**