

8910016S
(ON 0N1MVRD)与要图

| 版数 REV. | 年月日 DATE | DCN NO. | 変更内容 DESCRIPTION | 製図 DR. | 担当 CHK. | 査閲 APPD. | 承認 APPD. |
|------------|-------------|---------|-----------------------------|-----------|------------|-------------|--------------|
| 2 | 28.Feb.2005 | 056827 | ADDED ITEM, CORRECTED ERROR | | S.NAKAJIMA | T.ISHIKAWA | O.HASHIGUCHI |
| 3 | 5.Dec.2008 | 067073 | ADDED ITEM, ETC | | Y.HONMA | H.OBIKANE | Y.YAHIRO |
| 4 | 29.Jun.2009 | 067675 | ADDED ITEM | | Y.HONMA | H.OBIKANE | Y.YAHIRO |

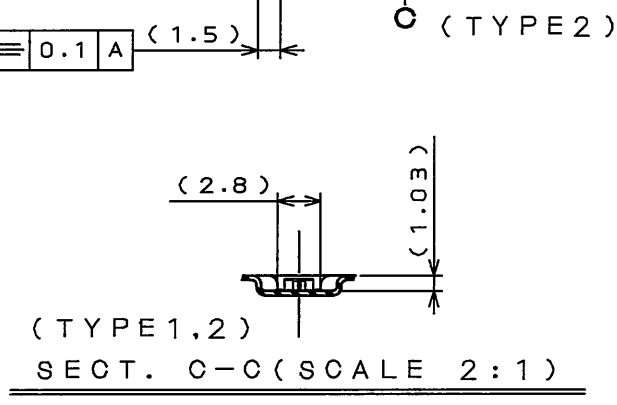
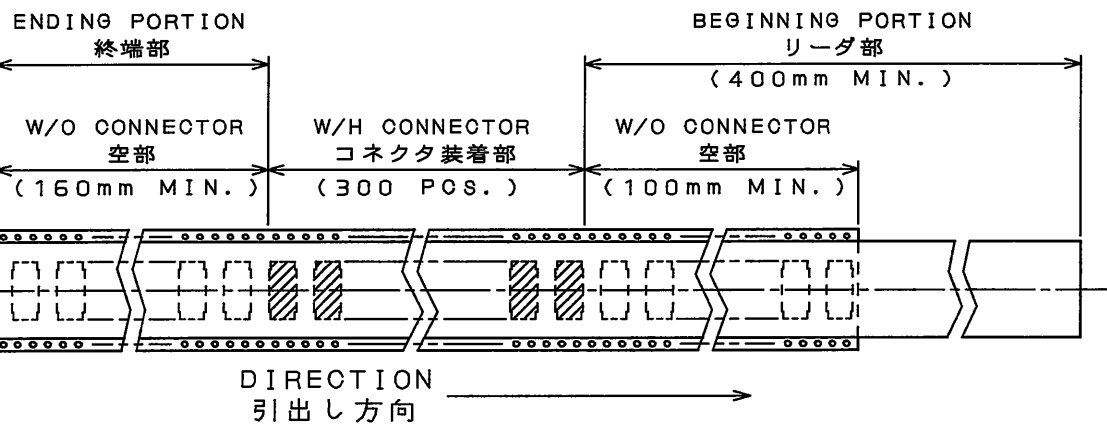
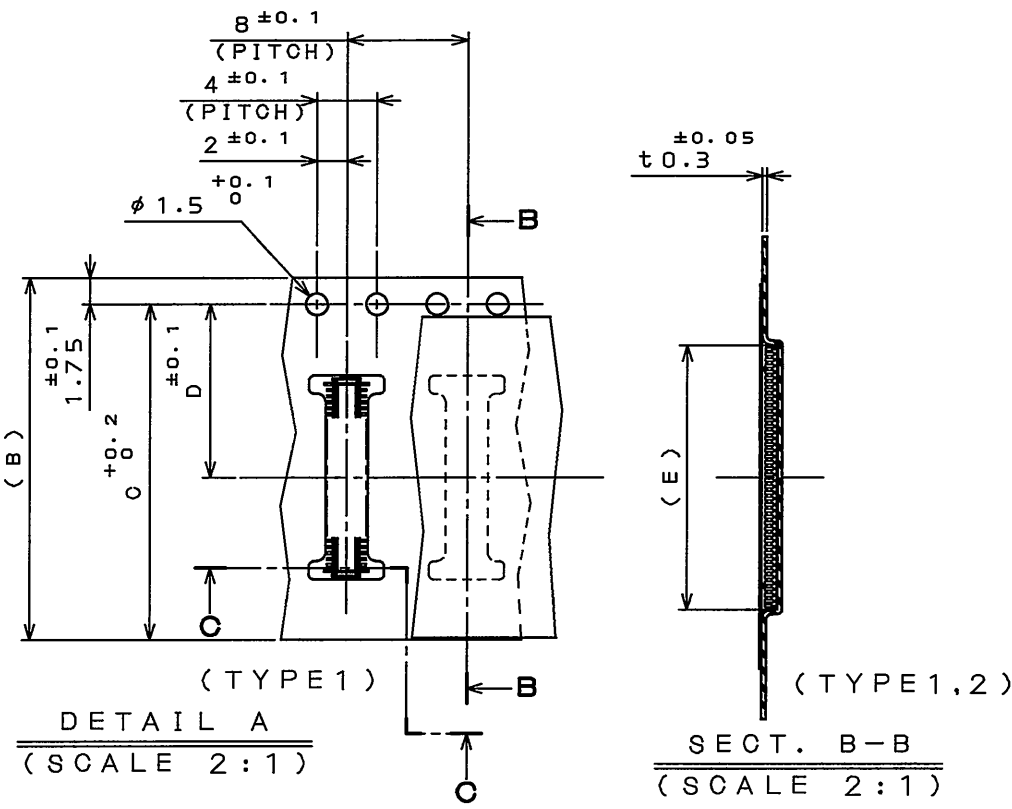
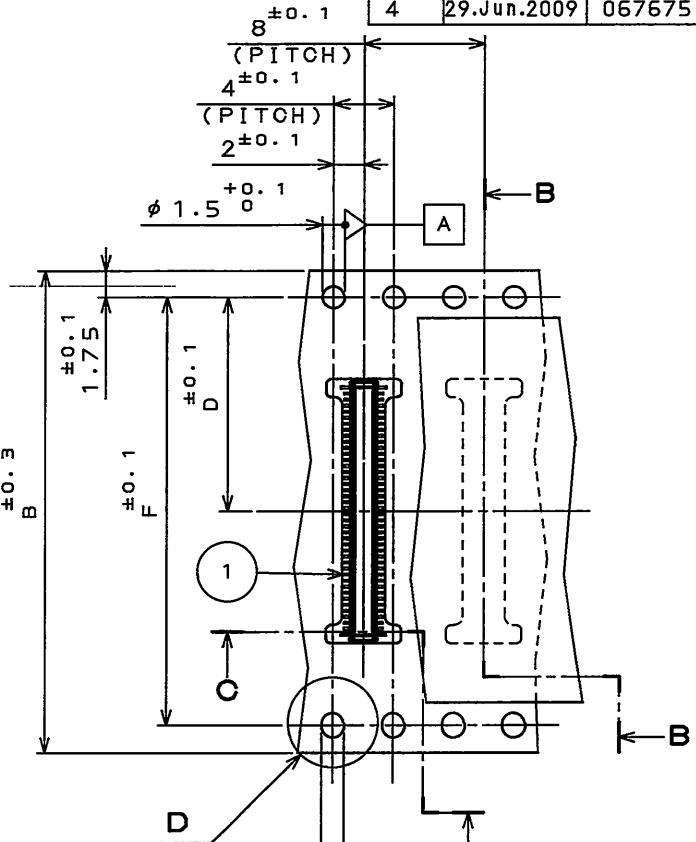
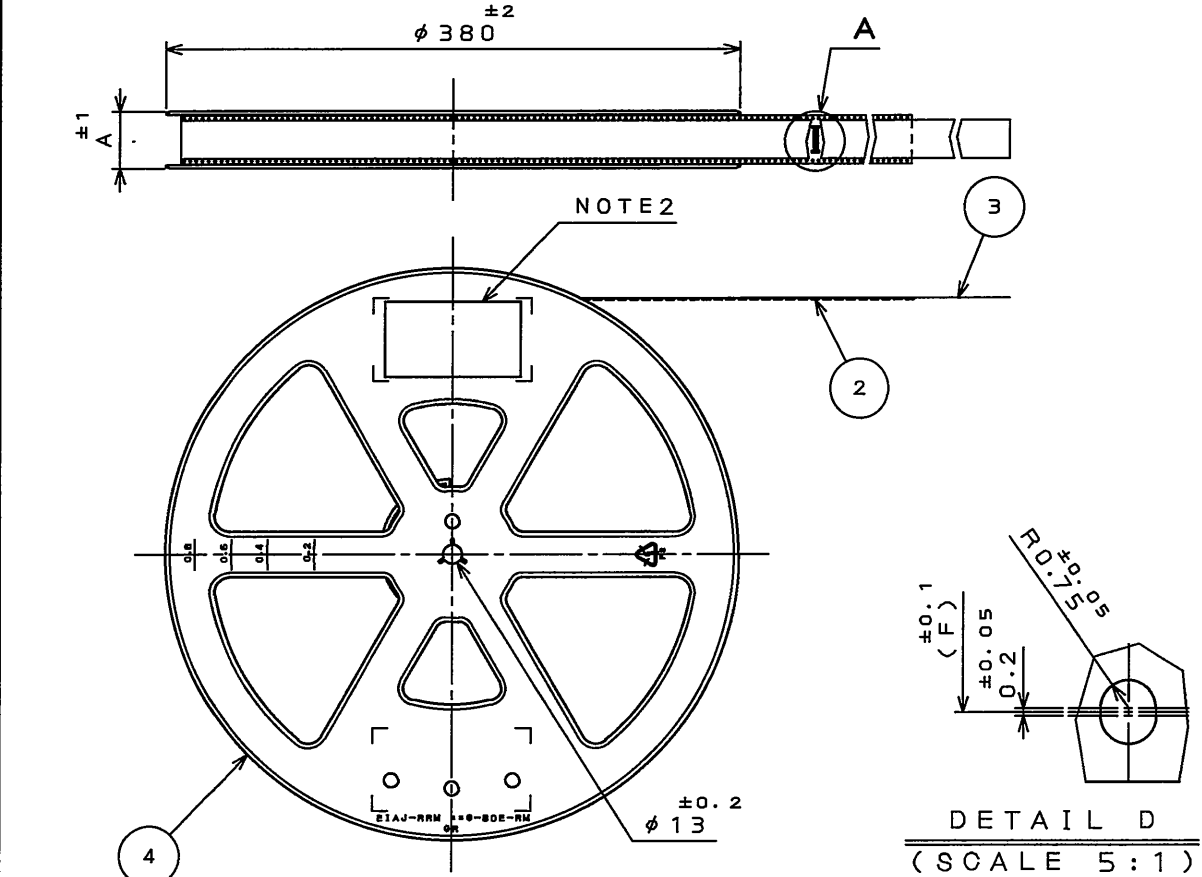


TABLE 1

| 名称(TITLE) | A | B | C | D | E | F | TYPE |
|-------------------|------|----|-------|------|------|------|------|
| AA03-P016VAE-R300 | 17.5 | 12 | 10.25 | 5.5 | 4.7 | — | 1 |
| AA03-P020VAE-R300 | 21.5 | 16 | 14.25 | 7.5 | 5.5 | — | 1 |
| AA03-P022VAE-R300 | 21.5 | 16 | 14.25 | 7.5 | 5.9 | — | 1 |
| AA03-P024VAE-R300 | 21.5 | 16 | 14.25 | 7.5 | 6.3 | — | 1 |
| AA03-P030VAE-R300 | 21.5 | 16 | 14.25 | 7.5 | 7.5 | — | 1 |
| AA03-P036VAE-R300 | 21.5 | 16 | 14.25 | 7.5 | 8.7 | — | 1 |
| AA03-P040VAE-R300 | 29.5 | 24 | 22.25 | 11.5 | 9.5 | — | 1 |
| AA03-P042VAE-R300 | 29.5 | 24 | 22.25 | 11.5 | 9.9 | — | 1 |
| AA03-P050VAE-R300 | 29.5 | 24 | 22.25 | 11.5 | 11.5 | — | 1 |
| AA03-P064VAE-R300 | 29.5 | 24 | 22.25 | 11.5 | 14.3 | — | 1 |
| AA03-P080VAE-R300 | 37.5 | 32 | — | 14.2 | 17.5 | 28.4 | 2 |

NOTE 1. SUFFIX "-R300" OF THE PART NUMBER INDICATES THAT 300 PCS. OF CONNECTORS, LOT NO., TAPE WIDTH AND FEED PITCH ARE MARKED IS TO BE ATTACHED ON THE MAGAZINE AS SHOWN.

NOTE 2. THE LABEL, IN WHICH PART NO., NO. OF CONNECTORS, LOT NO., TAPE WIDTH AND FEED PITCH ARE MARKED IS TO BE ATTACHED ON THE MAGAZINE AS SHOWN.

NOTE 3. REFER TO THE DRAWING SJ100167 (AA03-P***VAE) FOR THE DIMENSIONS OF THE CONNECTOR.

注 1. "AA03-P***VAE-R300"は、リールにコネクタを300個収納した品名を示す。

注 2. 図示の位置に右記のシールを貼り、品名、収納数、ロットNo.、及び、テープ幅と送りピッチを記入すること。

注 3. コネクタ寸法は、SJ100167 (AA03-P***VAE)を参照のこと。

現品ラベル/ARTICLE LABEL

品名(DESCRIPTION) AA03-P***VAE-R300 Count:001 JAE001

図番(PART No.) SJ10016S

数量(Q'ty) 300

ITEM NO

Lot No.

Ecode: T9808

2008/04/25

MDE IN JAPAN

Japan Aviation Electronics Industry, Ltd.

(NOTE 2)

(***:NO. OF CONTACTS)

(***:WIDTH OF CARRIER TAPE)

| | | | | | | | |
|---------------------------|-------------------------|--------------|-----------------|-------------------|--|---|----------------------------------|
| 4 | REEL リール | 1 | PS | | | | |
| 3 | COVER TAPE カバーテープ | — | PET, PE | | | | |
| 2 | CARRIER TAPE キャリアテープ | — | PS | | | | |
| 1 | CONNECTER コネクタ | 300 | | | | | AA03-P***VAE SJ100167 (NOTE3) |
| 符号 NO. | 名称 DESCRIPTION | 個数 QTY. | 材 料 MATERIAL | 仕 上 FINISH | | 備 考 REMARKS | |
| 仕様書(SPECIFICATION) | 第1版(ORIGINAL DATE) | 21.Jun.2004 | 尺 度(SCALE) | シ リ ー ズ(SERIES) | | 日本航空電子工業株式会社 | |
| JACS-10130 | 製 図 DR. | S.NAKAJIMA | 1:5 | AA03 | | JAPAN AVIATION ELECTRONICS INDUSTRY, LTD. | |
| 公差(GENERAL TOLERANCE) | 担 当 CHK. | T.ISHIKAWA | 名 称(TITLE) | AA03 | | JAE ELECTRONICS INDUSTRY, LTD. | |
| 寸法(DIMENSION) | 査 閲 APPD. | T.TAKAHASHI | -P***VAE | -R300 | | | |
| 度 角(ANGLES) | 承 認 APPD. | O.HASHIGUCHI | | | | | |
| ± × ± ×× ± ××× ± | ° ± °×' ± | | | | | | |
| | 質量(MASS) | | | 圖面番号(DRAWING NO.) | | 版数 (REV.) | |
| | | | | SJ100168 | | 4 | |

LEAD FREE この製品は鉛フリー品です

JAE CONNECTOR DIV. PROPRIETARY.
COPYRIGHT (C) 2004, JAPAN AVIATION ELECTRONICS INDUSTRY, LTD.

PDF-0-212E(03.08)