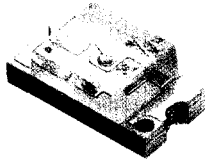


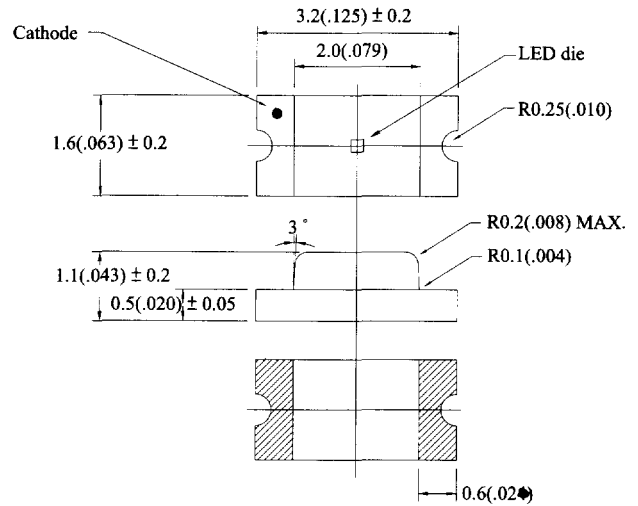


# Surface Mount Photo Diodes BPD-HQ Series

1206 - PD



## BPD-HQx33 Series



For Reflow soldering

Absolute Maximum Ratings (Ta=25°C)

	UNIT	SPEC.
Top.	°C	-25~+80
Tstg.	°C	-30~+85

**NOTE:**

1. All dimensions are in millimeters (inches).
2. Tolerance is ± 0.10 (.004") unless otherwise specified.
3. Specifications are subject to change without notice.

Part No.	Open Circuit Voltage	Short Circuit Current	Dark Current	Light Current	Break Down Voltage	Rise/Fall Time	Peak Wave Length	Drawing Angle 2 θ 1/2 (deg)
	(VOC) H=5.0mW Typ. (mV)	(ISC) H=5.0mw Typ. (uA)	ID(R) VR=10V H=0 Max. (nA)	(IL) VR=5.0V H=5mw Typ. (uA)	(VBR) IR=100Ua H=0 Min. (V)	VR=10V RL=1K Ω (ns)	(nm)	
BPD-HQA33	450	2.0	10	2.0	30	6/6	940	140°
BPD-HQB33	550	7.0	10	7.0	30	10/10	940	