

SPECIFICATIONS

Breakaway Header

Mechanical

Contact Retention Force: 0.91Kgf Min.

HB11 Series

T/H Type

2.54mm [.100"] Pitch

Electrical

Current Rating: 3.0A per pin min.

Dielectric Withstanding Voltage: 500V AC.

Insulation Resistance: 1000M Ω min.

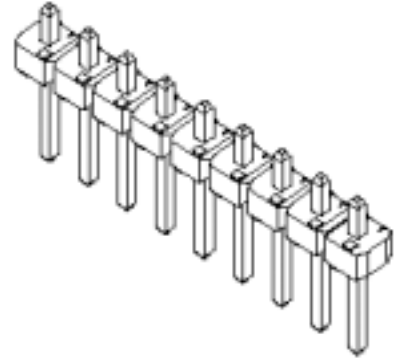
Physical

Housing: Nylon 6.6, UL 94V-0, Color See "NOTES"

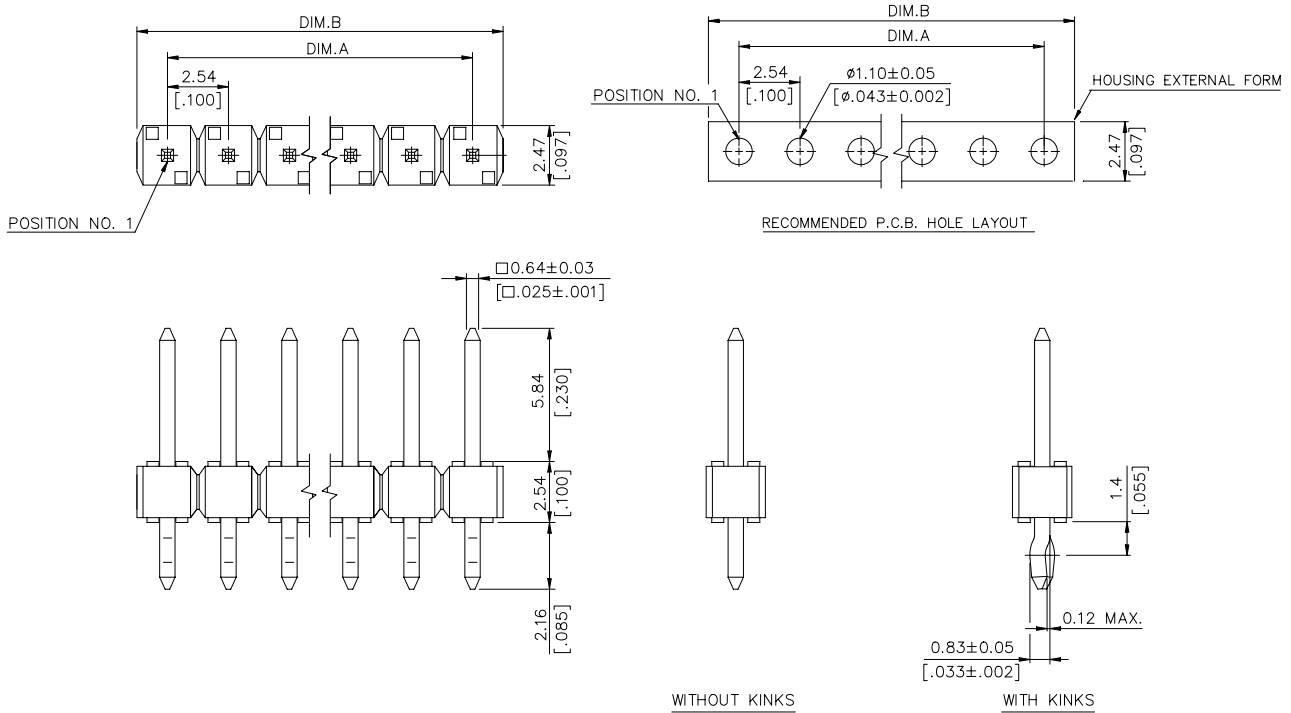
Contact: Copper alloy

Plating: See "ORDERING INFORMATION"

Operating Temperature: -55 to +105

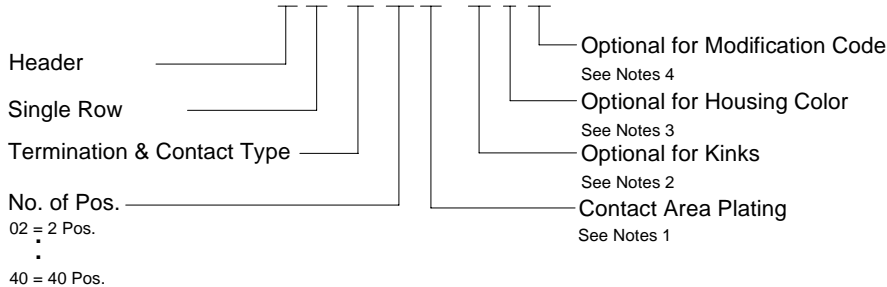


DRAWING



ORDERING INFORMATION

PRODUCT NO. : H B 11 ** * - ** * **



ORDERING INFORMATION

HB1110*-*****	10	22.86 [.900]	25.15 [.990]
HB1109*-*****	9	20.32 [.800]	22.61 [.890]
HB1108*-*****	8	17.78 [.700]	20.07 [.790]
HB1107*-*****	7	15.24 [.600]	17.53 [.690]
HB1106*-*****	6	12.70 [.500]	14.99 [.590]
HB1105*-*****	5	10.16 [.400]	12.45 [.490]
HB1104*-*****	4	7.62 [.300]	9.91 [.390]
HB1103*-*****	3	5.08 [.200]	7.37 [.290]
HB1102*-*****	2	2.54 [.100]	4.83 [.190]
P/N	POS.	DIM. A	DIM. B

HB1120*-*****	20	48.26 [1.900]	50.55 [1.990]
HB1119*-*****	19	45.72 [1.800]	48.01 [1.890]
HB1118*-*****	18	43.18 [1.700]	45.47 [1.790]
HB1117*-*****	17	40.64 [1.600]	42.93 [1.690]
HB1116*-*****	16	38.10 [1.500]	40.39 [1.590]
HB1115*-*****	15	35.46 [1.400]	37.85 [1.490]
HB1114*-*****	14	33.02 [1.300]	35.31 [1.390]
HB1113*-*****	13	30.48 [1.200]	32.77 [1.290]
HB1112*-*****	12	27.94 [1.100]	30.23 [1.190]
HB1111*-*****	11	25.40 [1.000]	27.69 [1.090]
P/N	POS.	DIM. A	DIM. B

HB1130*-*****	30	73.66 [2.900]	75.95 [2.990]
HB1129*-*****	29	71.12 [2.800]	73.41 [2.890]
HB1128*-*****	28	68.58 [2.700]	70.87 [2.790]
HB1127*-*****	27	66.04 [2.600]	68.33 [2.690]
HB1126*-*****	26	63.50 [2.500]	65.79 [2.590]
HB1125*-*****	25	60.96 [2.400]	63.25 [2.490]
HB1124*-*****	24	58.42 [2.300]	60.71 [2.390]
HB1123*-*****	23	55.88 [2.200]	58.17 [2.290]
HB1122*-*****	22	53.43 [2.100]	55.63 [2.190]
HB1121*-*****	21	50.80 [2.000]	53.09 [2.090]
P/N	POS.	DIM. A	DIM. B

HB1140*-*****	40	99.06 [3.900]	101.35 [3.990]
HB1139*-*****	39	96.52 [3.800]	98.81 [3.890]
HB1138*-*****	38	93.98 [3.700]	96.27 [3.790]
HB1137*-*****	37	91.44 [3.600]	93.73 [3.690]
HB1136*-*****	36	88.90 [3.500]	91.19 [3.590]
HB1135*-*****	35	86.36 [3.400]	88.65 [3.490]
HB1134*-*****	34	83.82 [3.300]	86.11 [3.390]
HB1133*-*****	33	81.28 [3.200]	83.57 [3.290]
HB1132*-*****	32	78.74 [3.100]	81.03 [3.190]
HB1131*-*****	31	76.20 [3.000]	78.49 [3.090]
P/N	POS.	DIM. A	DIM. B

NOTES

1. CONTACT AREA PLATING CODE

- 1: GOLD FLASH OVER ALL
WITH RoHS COMPLIANCE
- H: 30u" MIN. GOLD PLATING
WITH RoHS COMPLIANCE
- V: 15u" MIN. GOLD PLATING
WITH RoHS COMPLIANCE
- E: 100u" MIN. TIN PLATING OVER ALL
WITH RoHS COMPLIANCE

2. OPTIONAL FOR KINKS.

- NONE: STANDARD PRODUCT, WITH OUT KINK
- K = THE 1ST, 2ND, N & N-1, 4 PIECES OF
TERMINALS ARE KINKDE.
- K0 = ALL PINS WITH KINK.

3. OPTIONAL FOR HOUSING COLOR.

- NONE : STANDARD PRODUCT, COLOR BLACK.
- W: WHITE COLOR.
- U: BLUE COLOR (PANTON 661C).
- Y: YELLOW COLOR (PANTONE 123C).
- R: RED COLOR (PANTONE 032C).
- J: WARM RED COLOR (PANTONE 1665C).
- G: GREEN COLOR (PANTONE 347C).
- T: ORANGE COLOR (PANTONE 157C).

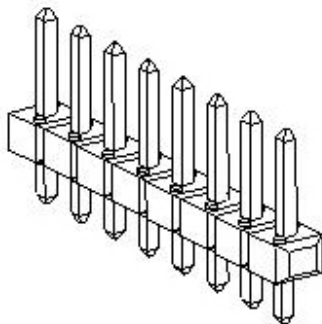
4. MODIFICATION CODE.

CODE	DESCRIPTION
B7	2th & 3th & 4th PINS OMITTED.
B8	5th & 12th & 14th & 25th PINS OMITTED.
B9	2nd & 4th & 7th PINS OMITTED.
D1	2nd & FINAL 2nd PINS OMITTED.
D2	20th POSITION OMITTED.
D3	4th & 21st POSITION OMITTED.
D4	8th POSITION OMITTED.
D5	3rd POSITION OMITTED.
D6	2nd, 4th, 6th & 10th POSITION OMITTED.
D7	4th, 8th, 12th, 16th, 20th, & 24th POSITION OMITTED.
D8	3rd, 4th, 6th, 9th, 13th & 15th POSITION OMITTED.
D9	3rd & 4th POSITION OMITTED.
P0	4th POSITION OMITTED.
P1	6th POSITION OMITTED.
P2	9th & 10th POSITION OMITTED.
P3	2nd POSITION OMITTED.
P4	5th POSITION OMITTED.
P5	10th POSITION OMITTED.
P6	2nd, 6th, 9th & 11th POSITION OMITTED.
P7	3rd, 5th, 8th POSITION OMITTED.
P8	7th POSITION OMITTED.
P9	9th POSITION OMITTED.
T0	2nd, 9th, 11th, 14th, 17th, 20th, 21st & 23rd POSI. OMITTED.
T1	1st & END PINS WITH KINK, 2nd POSITION OMITTED.
T2	ALL PINS WITH KINK, 3rd & 4th POSITION OMITTED.
T3	ALL PINS WITH KINK, 5th & 6th POSITION OMITTED.
T4	2nd, 9th, 11th, 14th, 17th, 20th & 22nd POSITION OMITTED.
T5	3rd, 4th, 13rd & 14th POSITION OMITTED.
T6	2nd, 3rd, 5th, 9th, 11th, 14th, 17th, 20th & 22nd POSITION OMITTED.
T7	3rd, 4th, 6th, 9th, 13th, 15th & 16th POSITION OMITTED.
T8	2nd & 3rd POSITION OMITTED.
T9	3rd, 5th, 9th, 13th & 15th POSITION OMITTED.
U0	4th, 8th & 12th POSITION OMITTED.
U1	3rd & 5th POSITION OMITTED.
U2	3rd, 5th & 9th POSITION OMITTED.
U3	3rd, 4th, 6th, 9th & 15th POSITION OMITTED.
U4	3rd, 7th, 9th, 11th, 14th, 16th, 20th & 22nd POSITION OMITTED.
U5	3rd, 5th, 9th, 13th & 16th POSITION OMITTED.
U6	2nd, 9th, 11th, 17th, 20th, 22nd & 24th POSITION OMITTED.
U7	5th, 7th, 12th, 14th, 17th, 19th, 21st & 25th POSITION OMITTED.
U8	2nd, 5th, 8th & 10th POSITION OMITTED.
U9	4th & 8th POSITION OMITTED.
L0	3rd, 5th, 9th, 13th & 15th POSITION OMITTED.
L1	5th, 9th & 12th POSITION OMITTED.
L2	2nd, 9th, 10th, 11th, 12th, 15th & 17 POS. OMITTED.
L3	2nd, 5th & 17th POSITION OMITTED.
L4	5th, 7th, 11th, 13th, 16th, 20th & 24th POS. OMITTED.
L5	4th, 9th, 16th & 19th POS. OMITTED.
L6	4th & 9th POSITION OMITTED.
L8	5th, 7th & 15th POSITION OMITTED.
L9	12th POSITION OMITTED.

- Products
- News
- Sales
- Technical
- Jobs
- About Foxconn

Wire-to-Board Connector -> Header

Breakaway Header: **HB1110V-P4**



Breakaway Header Single Row 10Pos 2.54mm V/T Through Hole color Black



Feature	Attribute
Number of Positions:	10
PCB Mount Style:	V/T Through Hole
Contact Materials:	COPPER ALLOY
Plating:	15u" Au
Housing Material:	Thermoplastic
Color:	Black
Number Row:	Single Row
Pitch:	2.54
Tail Length:	2.79
Mating Length:	5.84
housingHeight:	2.54
Available Status:	Active
RoHS Status:	RoHS-6 compliant
Business Unit:	HSDI
Lead-Time (Week):	4
MOQ (pc):	6000

Notice: Please confirm part availability with your local account manager.

Quick Search

Search By

- Part Number
- Product Type
- Industry
- Alphabetical

Part Number

- Enter Part Number

- Starts With
- Contains
- Exact Match



Products

News

Sales

Technical

Jobs

About Foxconn

Quick Search

 Search By

- Part Number
- Product Type
- Industry
- Alphabetical

 Part Number

- Enter Part Number

Starts With

Contains

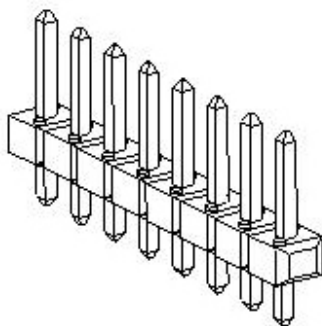
Exact Match

 Search

Wire-to-Board Connector -> Header



Breakaway Header: HB11061-P3



Breakaway Header Single Row 6Pos 2.54mm V/T Through Hole color Black

 Spec

 Drawing

 3D

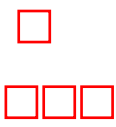
Feature	Attribute
Number of Positions:	6
PCB Mount Style:	V/T Through Hole
Contact Materials:	COPPER ALLOY
Plating:	Gold Flash
Housing Material:	Thermoplastic
Color:	Black
Number Row:	Single Row
Pitch:	2.54
Tail Length:	2.79
Mating Length:	5.84
housingHeight:	2.54
Available Status:	Active
RoHS Status:	RoHS-6 compliant
Business Unit:	HSDI
Lead-Time (Week):	4
MOQ (pc):	17000

Notice: Please confirm part availability with your local account manager.

- Products
- News
- Sales
- Technical
- Jobs
- About

Wire-to-Board Connector -> Header

Breakaway Header: **HB1105V-P0**



Quick Search

Search By

- Part Number
- Product Type
- Industry
- Alphabetical
- Part Number
- Enter Part Number

Starts With

Contains

Exact Match

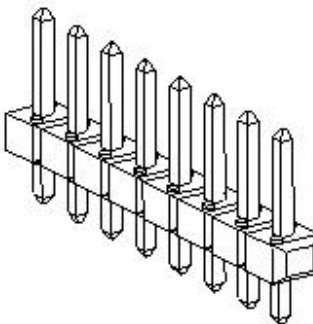
Feature	Attribute
Number of Positions:	5
PCB Mount Style:	V/T Through Hole
Contact Materials:	Copper alloy
Plating:	15u" Au
Housing Material:	Thermoplastic
Color:	Black
Number Row:	Single Row
Pitch:	2.54
Tail Length:	2.79
Mating Length:	5.84
housingHeight:	2.54
Available Status:	Active
RoHS Status:	RoHS-6 compliant
Business Unit:	HSDI
Lead-Time (Week):	4
MOQ (pc):	12000

Notice: Please confirm part availability with your local account manager.

- Products
- News
- Sales
- Technical
- Jobs
- About Foxconn

Wire-to-Board Connector -> Header

Breakaway Header: **HB11031-P3**



Feature	Attribute
Number of Positions:	3
PCB Mount Style:	V/T Through Hole
Contact Materials:	COPPER ALLOY
Plating:	Gold Flash
Housing Material:	Thermoplastic
Color:	Black
Number Row:	Single Row
Pitch:	2.54
Tail Length:	2.79
Mating Length:	5.84
housingHeight:	2.54
Available Status:	Active
RoHS Status:	RoHS-6 compliant
Business Unit:	HSDI
Lead-Time (Week):	4
MOQ (pc):	18000

Notice: Please confirm part availability with your local account manager.

Quick Search

Search By

- Part Number
- Product Type
- Industry
- Alphabetical

Part Number

- Enter Part Number

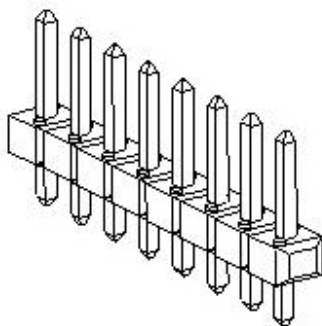
- Starts With
- Contains
- Exact Match



- Products
- News
- Sales
- Technical
- Jobs
- About Foxconn

Wire-to-Board Connector -> Header

Breakaway Header: **HB11031-D5**



Breakaway Header Single Row 3Pos 2.54mm V/T Through Hole color Black

[Spec](#)
[Drawing](#)
[3D](#)

Feature	Attribute
Number of Positions:	3
PCB Mount Style:	V/T Through Hole
Contact Materials:	COPPER ALLOY
Plating:	Gold Flash
Housing Material:	Thermoplastic
Color:	Black
Number Row:	Single Row
Pitch:	2.54
Tail Length:	2.79
Mating Length:	5.84
housingHeight:	5.54
Available Status:	Active
RoHS Status:	RoHS-6 compliant
Business Unit:	HSDI
Lead-Time (Week):	4
MOQ (pc):	18000

Notice: Please confirm part availability with your local account manager.

Quick Search

Search By

- Part Number
- Product Type
- Industry
- Alphabetical

Part Number

- Enter Part Number

Starts With

Contains

Exact Match

[Search](#)

