

**MATERIAL AND FINISH**

Insulator: Glass filled Polyester, color black,  
UL-94V-0 rated  
Contacts: 0.35mm thick Phosphor Bronze  
Gold plated (see chart) over Nickel in contact  
area, Tin over Nickel in solder area

**ELECTRICAL:**

Rated current: 1.5A  
Rated voltage: 125VAC rms  
Contact resistance: 50 mohms max.  
Insulation resistance: 1000 Mohms min. @  
500VDC  
Dielectric withstanding voltage: 1000V rms min.  
60Hz for 1 minute

**MECHANICAL SPECIFICATIONS:**

Life cycle: 750 cycles min.

**ENVIRONMENTAL:**

Storage: -40°C to +85°C  
Operating: 0°C to 70°C

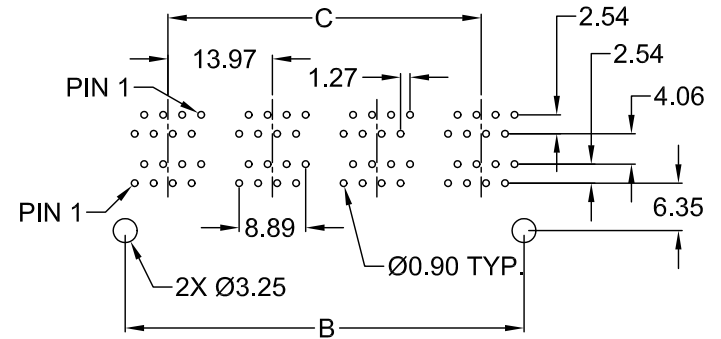
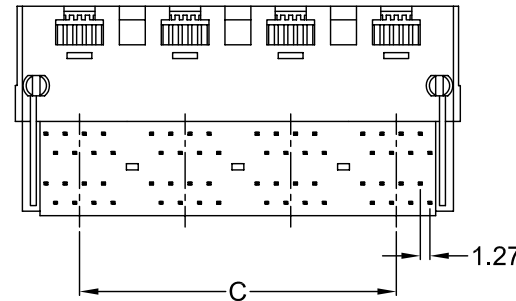
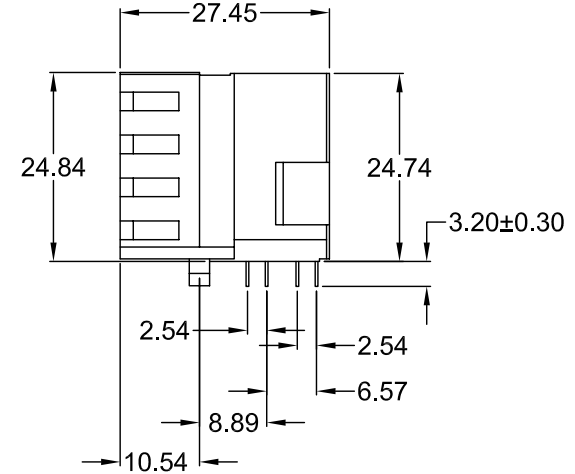
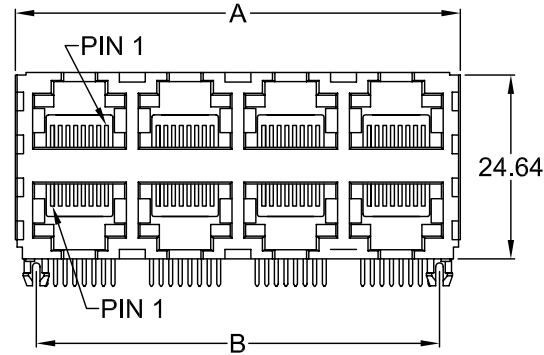
Mates with modular plug conforming to FCC Part  
68, Subpart F.

**ORDERING CODE:**

PJ-8P8C-  -60B    
          1      2

- 1) No of PORTS
- 2) GOLD PLATING (SEE CHART)

No. of Ports	A	B	C
4	30.49	25.40	13.97
8	58.46	53.34	41.91
12	86.37	81.28	69.85
16	114.31	109.22	97.79



**RECOMMENDED  
PC BOARD LAYOUT (TOP VIEW)**

**RoHS  
COMPLIANT**

P/N	PLATING
PJ-8P8C-X-60B	6 μ" OF GOLD
PJ-8P8C-X-60B2	15 μ" OF GOLD
PJ-8P8C-X-60B4	30 μ" OF GOLD
PJ-8P8C-X-60B5	50 μ" OF GOLD

TOLERANCE UNLESS OTHERWISE SPECIFIED		
X	±	1
X.X	±	0.4
X.XX	±	0.20

DRAWN BY	DT	DATE:	1/15/01
CHECK BY	PB	DATE:	1/16/01
APPR BY	SS	DATE:	1/16/01

**Power Dynamics, Inc.**  
Phone: 973 560-0019 Whippany, New Jersey Fax: 973 560-0076

**PART: 8P8C GANGED & STACKED  
MODULAR JACK**

**PART #: PJ-8P8C-X-60BX**

SIZE: A  
SCALE: NTS

ALL DIMENSIONS FOR REFERENCE ONLY  
DIMENSIONS ARE IN MILLIMETERS

SHEET 1 of 1  
REV: C

REV	CHNG. PLATING SPEC			CHNG. CHECK APPR		
	DATE	REVISED	TD	PB	PB	DF
A	11/15/02					
B	6/24/05					
C	11/10/06					

