



DEUTSCH



ELECTRONIC PACKAGING CAPABILITIES

A STEP AHEAD



Dielectric Withstanding Voltage

Current leakage less than 2 milliamps at 1500 VAC.

Current Rating

125° C continuous
 Contact Size Max Current
 #20 7.5 amps
 #16 1.3 amps

Durability

No electrical or mechanical defects after 100 cycles of engagement or disengagement.

Physical Shock

No unlocking, unmating or other unsatisfactory results after 50 g's in each of three mutually perpendicular planes.

Moisture Resistance

Water does not penetrate seals when submerged in three feet of water.

Vibration

Maintains continuity and exhibits no mechanical or physical damage after vibration levels of 20 g's between limits of 10 to 2000 Hz.

Temperature

Operative at temperatures from -55° C to +125° C at rated current.

Thermal Shock

No cracking, chipping or leaking after five cycles from -55° C to +125° C.

Insulation Resistance

1000 megaohms minimum at 25° C.

Fluid Resistance

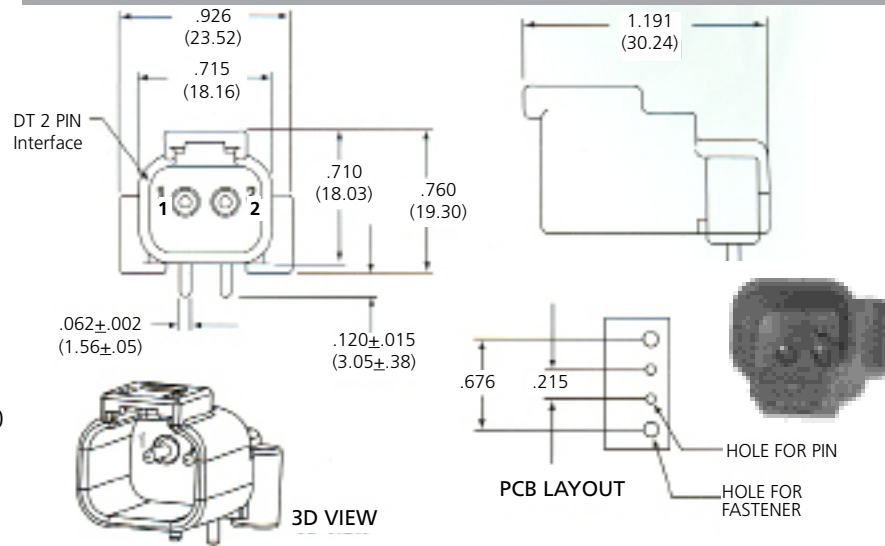
Connectors show no damage when exposed to most fluids used in industrial applications.

Material Specifications

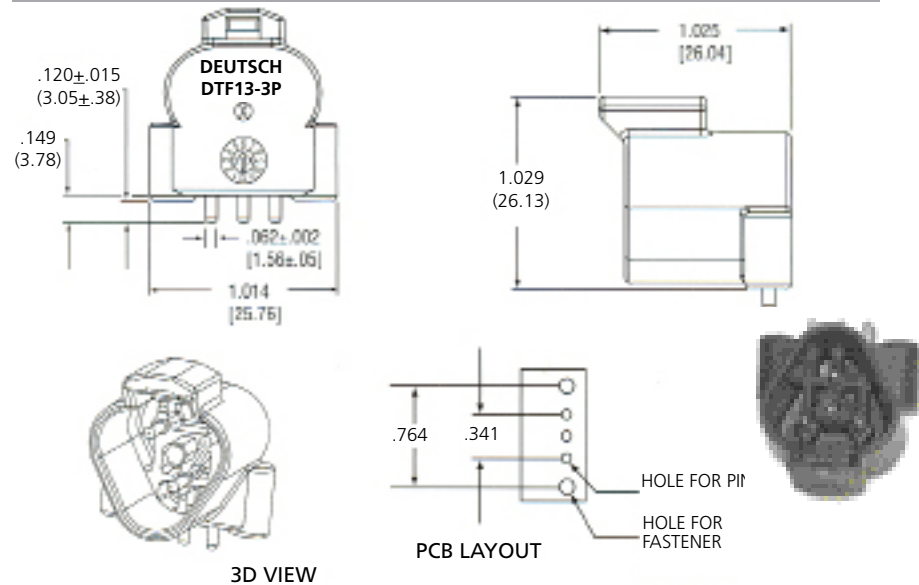
Housing Thermoplastic
 Seals Silicone Elastomer
 Contacts ... Copper Alloy, Tin Plated,
 Gold (optional)

2

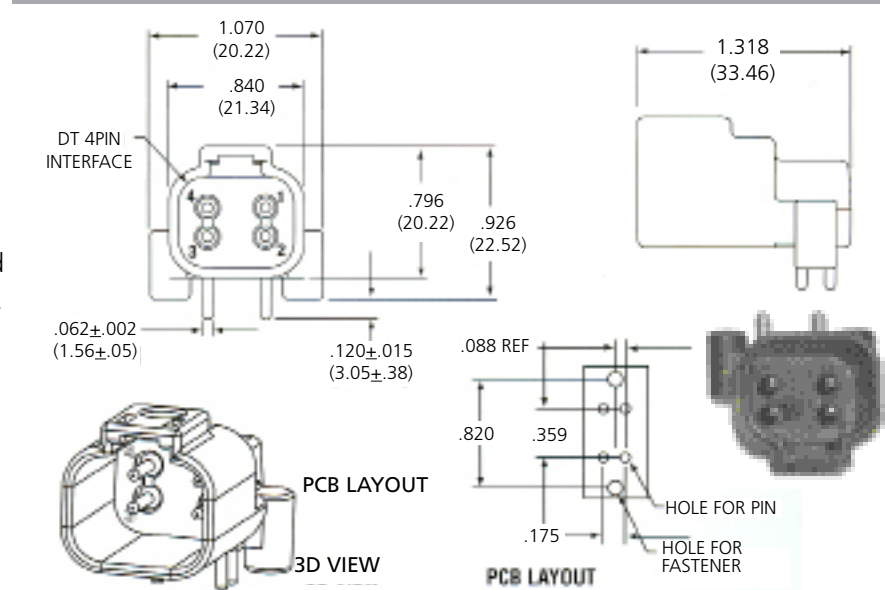
2 WAY RECEPTACLE 90° FLANGELESS



3 WAY RECEPTACLE 90° FLANGELESS

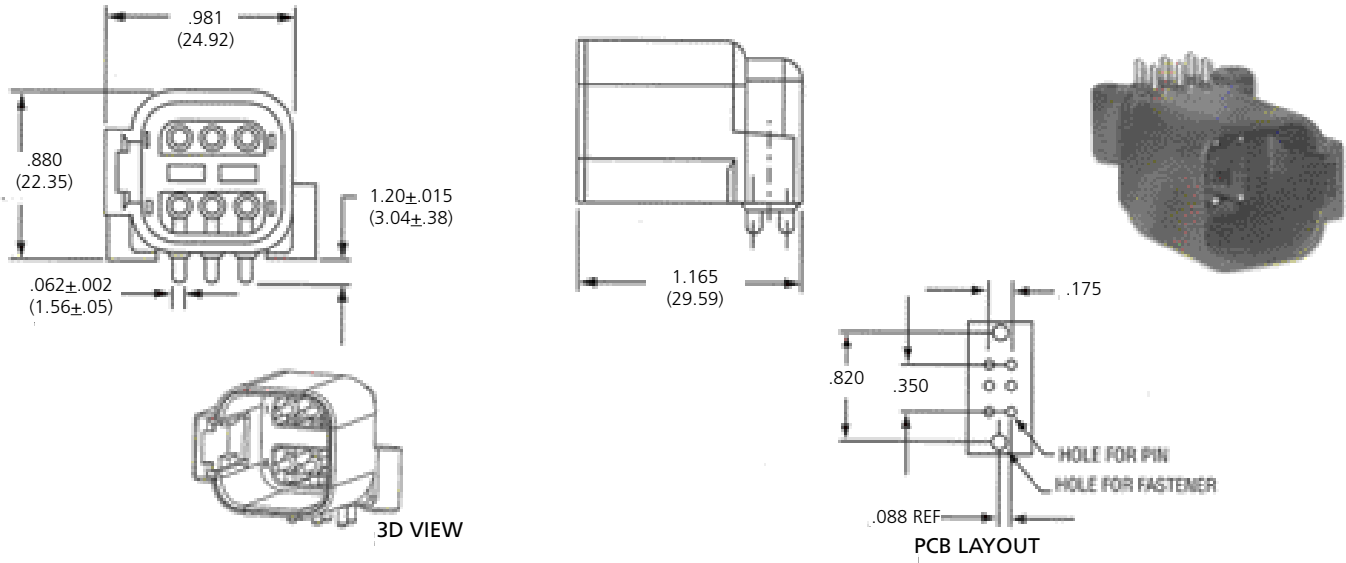


4 WAY RECEPTACLE 90° FLANGELESS

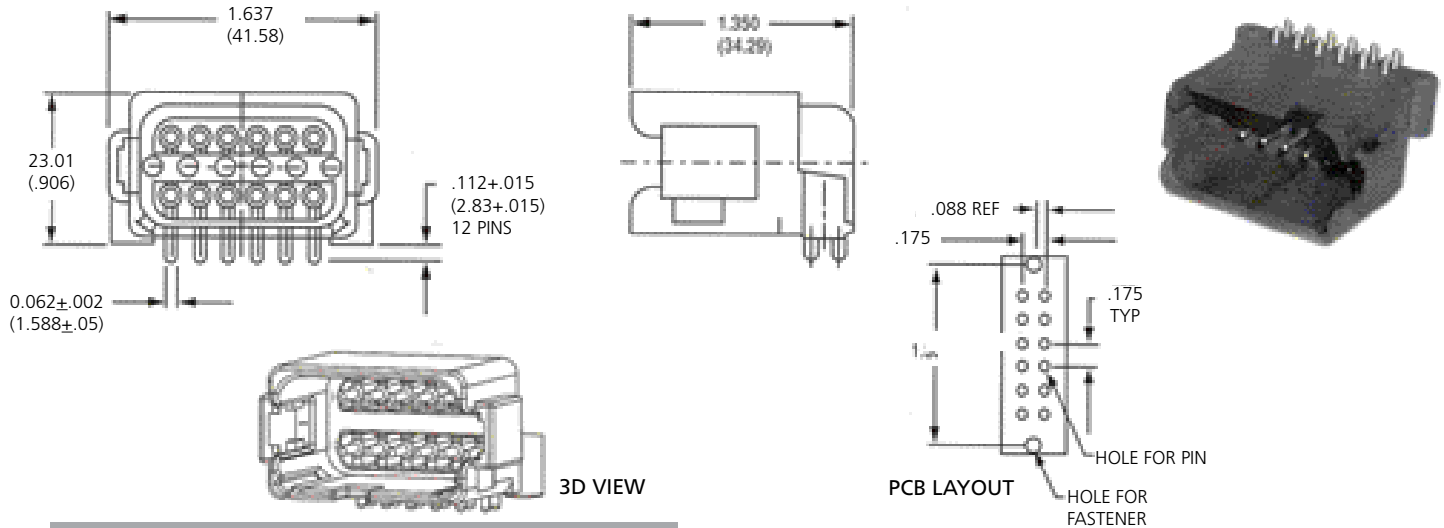




6 WAY RECEPTACLE 90° FLANGELESS



12 WAY RECEPTACLE 90° FLANGELESS



- Application:**
- Electronic Control Modules
 - Low Profile Requirements
 - Enclosures where PCB and header are potted-in

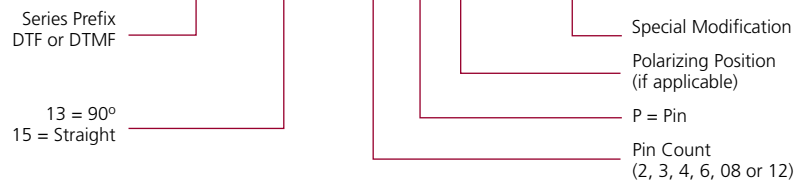
Here's the low profile solution to your electronic enclosure needs. The DTF and DTMF Series are designed to be potted into a printed circuit board enclosure. These flangeless headers are environmentally sealed when mated to the DT06 and DTM06 Series plug connectors.

For application flexibility the DTF13 and DTMF13 Series are supplied with right angle (90°) terminations. The DTF15 and DTMF15 Series denote straight pins. The DTF utilizes the size 16 contact, while the DTMF uses the size 20.

Consult factory for availability of various options.

ORDERING INFORMATION

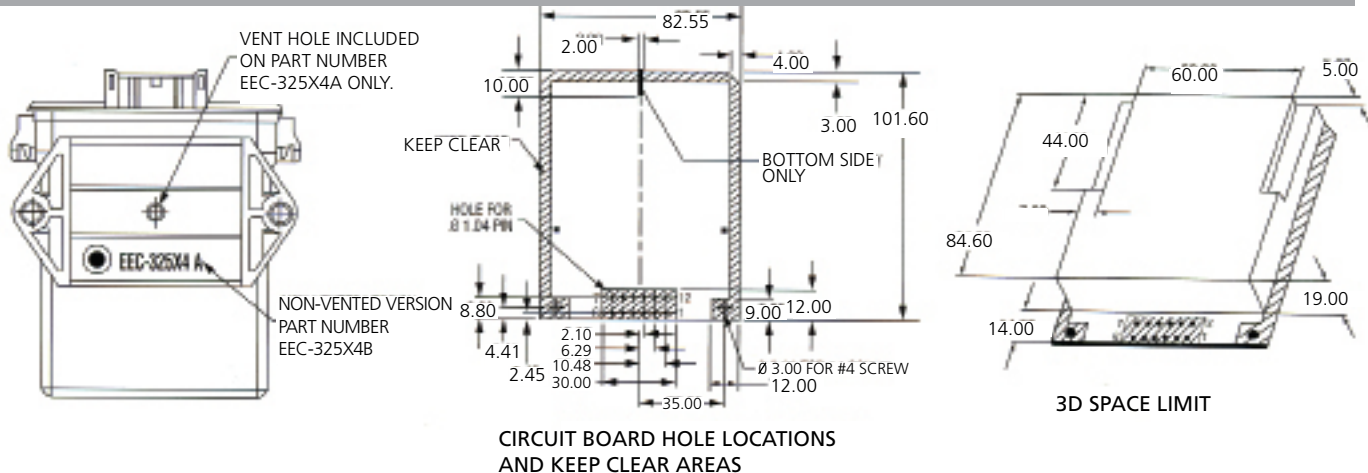
DTF 13 - 6 P * - ****



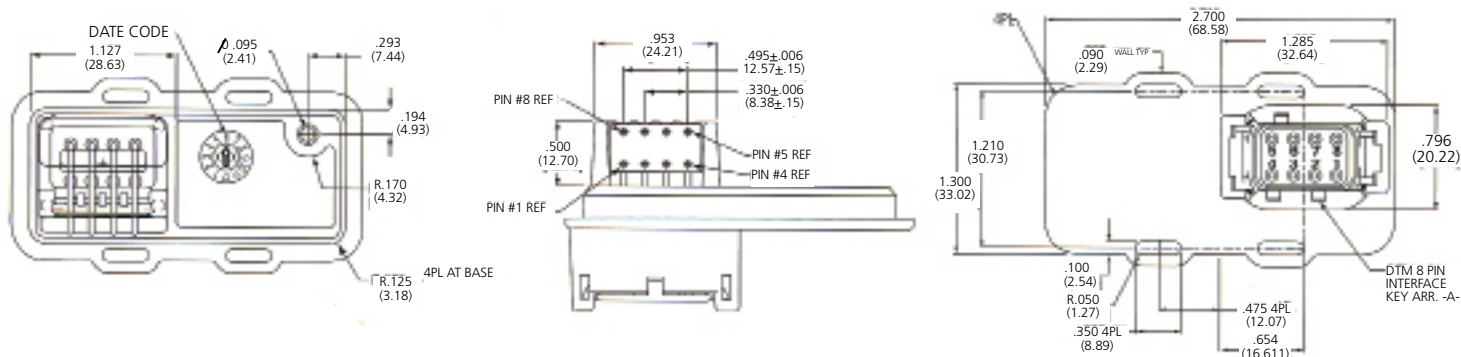
- Mating Plug:
- DT06-2S-****
 - DT06-3S-****
 - DT06-4S-****
 - DT06-6S-****
 - DT06-08S*-****
 - DT06-12S*-****

- DTM06-2S-****
- DTM06-3S-****
- DTM06-4S-****
- DTM06-6S-****
- DTM06-08S*-****
- DTM06-12S*-****

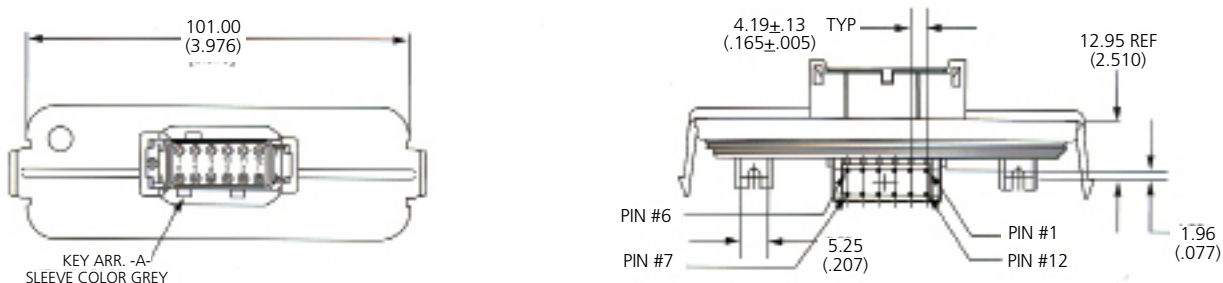
PCB ENCLOSURE



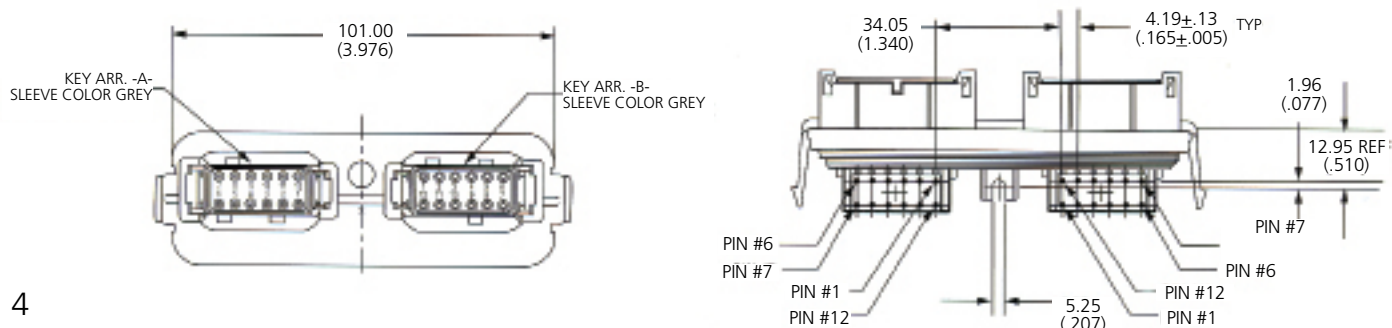
8 WAY RECEPTACLE FOR CUSTOMER-PROVIDED ENCLOSURE



12WAY RECEPTACLE FOR DEUTSCH ENCLOSURE



24 WAY RECEPTACLE FOR DEUTSCH ENCLOSURE



- Application:
- Electronic Control Modules
 - Diagnostic and Data Acquisition
 - Multiplex Systems
 - Sensor Products
 - Compact Package: enclosure w/integral header
 - Vented or Non-vented Enclosure

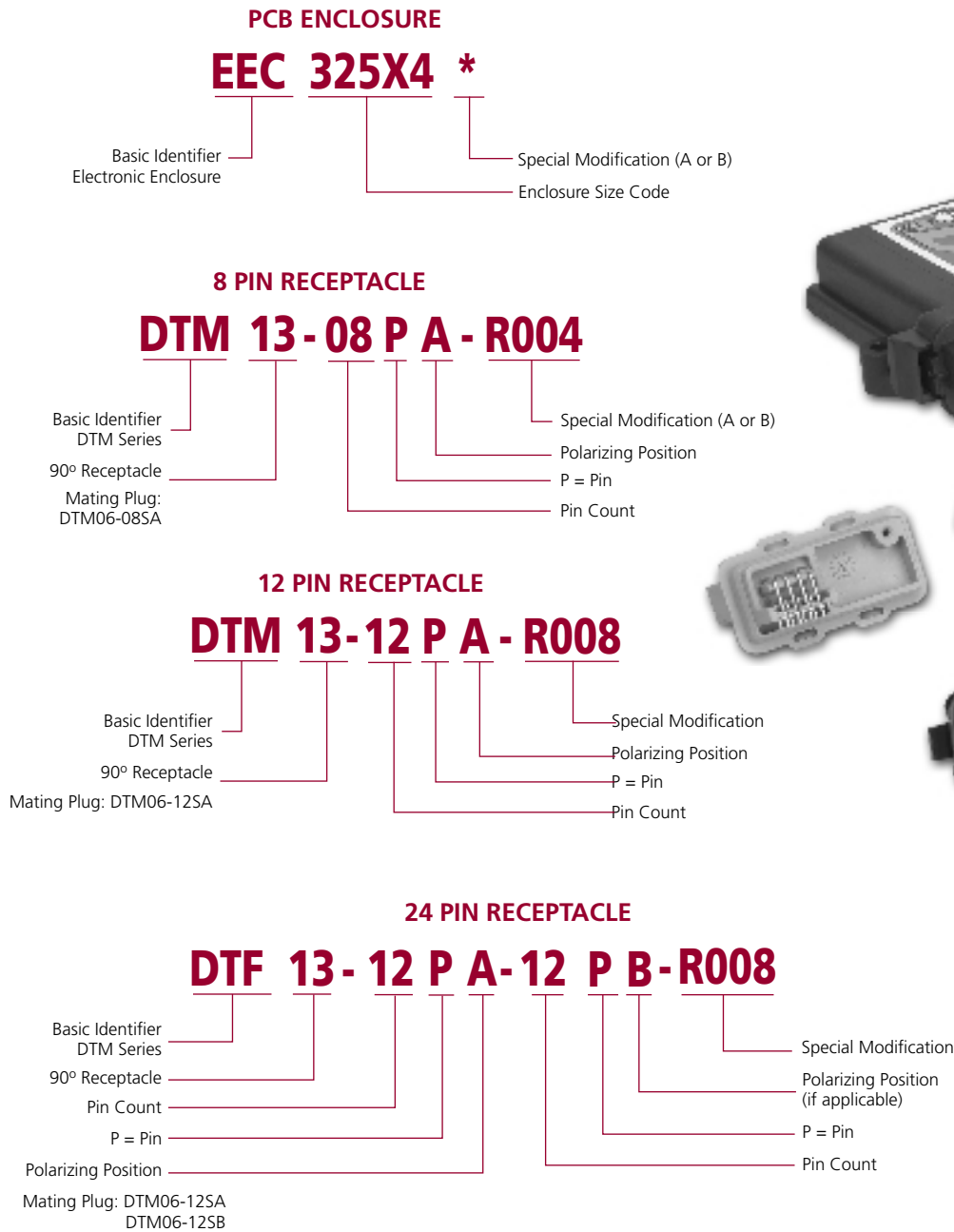
Deutsch IPD offers a compact circuit board enclosure that will receive a snap-in header. The enclosure features a through hole mounting flange on each side, as well as optional venting.

Designed with space to accommodate one or more DT or DTM Series interfaces, the flanged header features 90° pins. A radial flange seal provides environmental sealing to the enclosure.

The flanged receptacles mate with the Deutsch DT06 and DTM06 Series standard plugs. These plugs can utilize either solid or stamped and formed contacts.

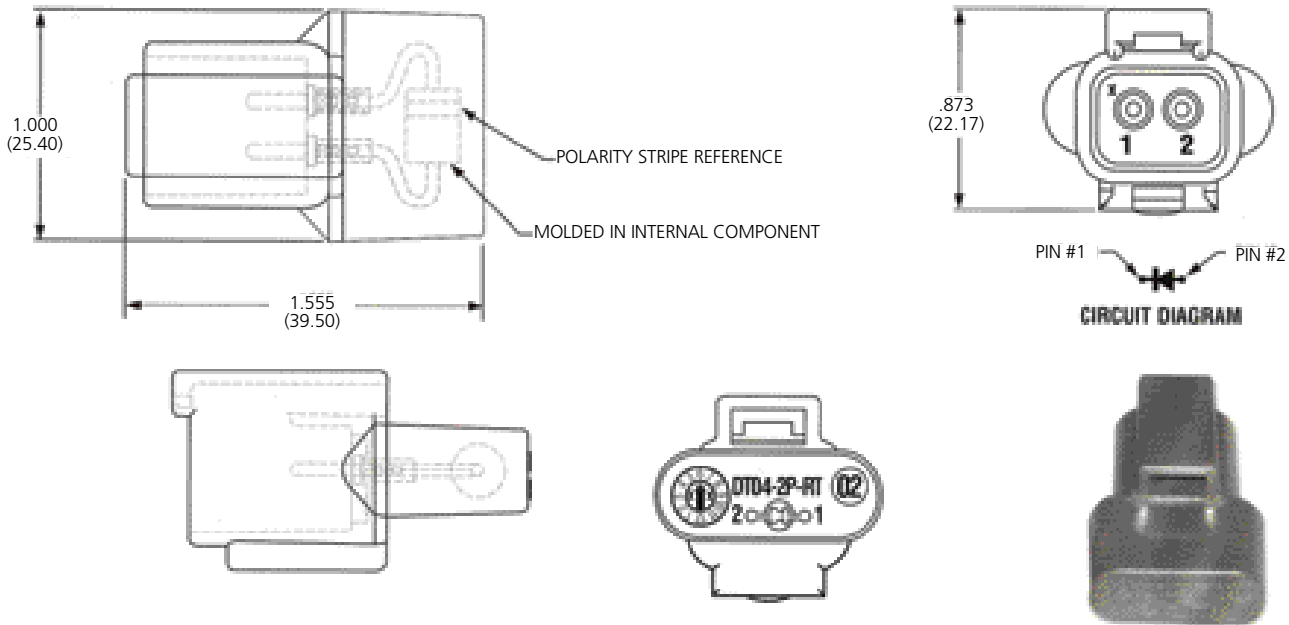
Consult factory for availability of various options.

ORDERING INFORMATION

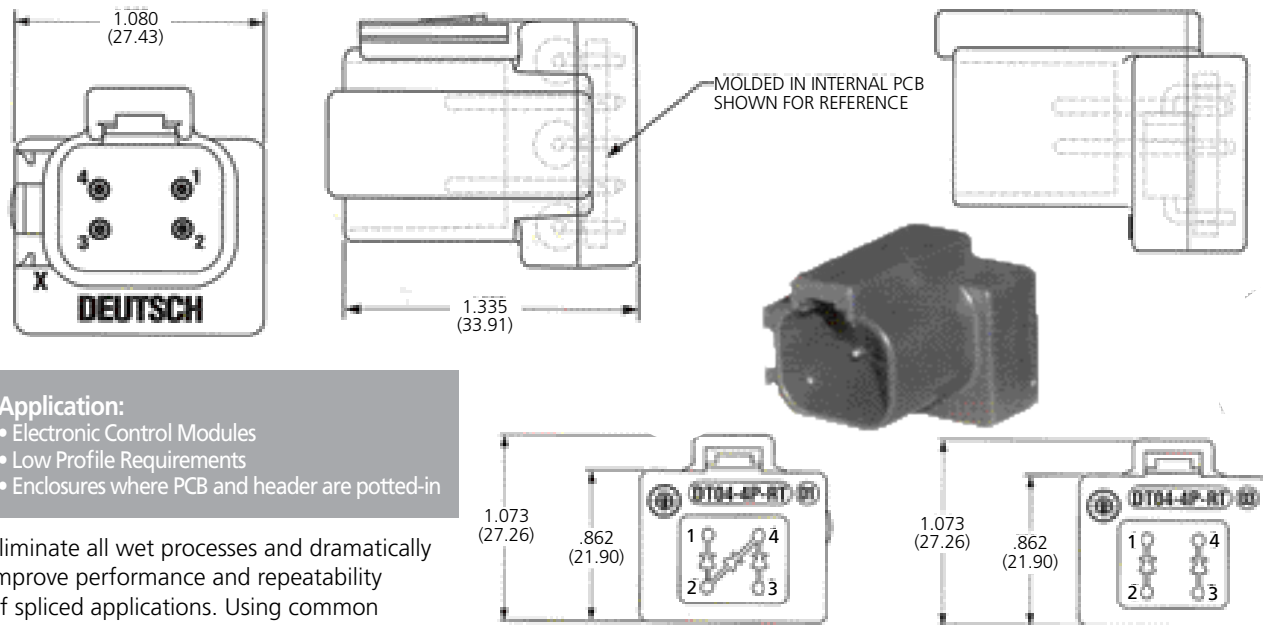




DT SERIES 2 WAY ELECTRONIC PACKAGE



DT SERIES 4WAY ELECTRONIC PACKAGE



Application:

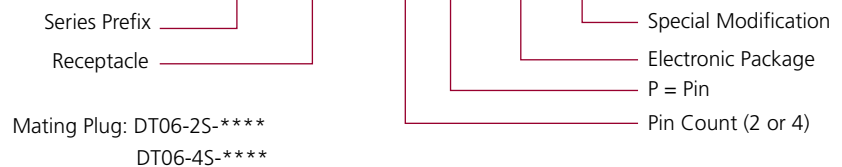
- Electronic Control Modules
- Low Profile Requirements
- Enclosures where PCB and header are potted-in

Eliminate all wet processes and dramatically improve performance and repeatability of spliced applications. Using common Deutsch contacts and crimp tooling, the Electronic Package can insert a standard DT Series interface at any location. Anticipate application needs or react to real emergencies reliably and cost effectively.

Various electronic components can be molded into this connector. Axial components having a volume similar to the diodes used in the Electronic Packages shown here can be substituted. When you need a Deutsch interface that takes advantage of active electronic circuit components, contact the factory for details.

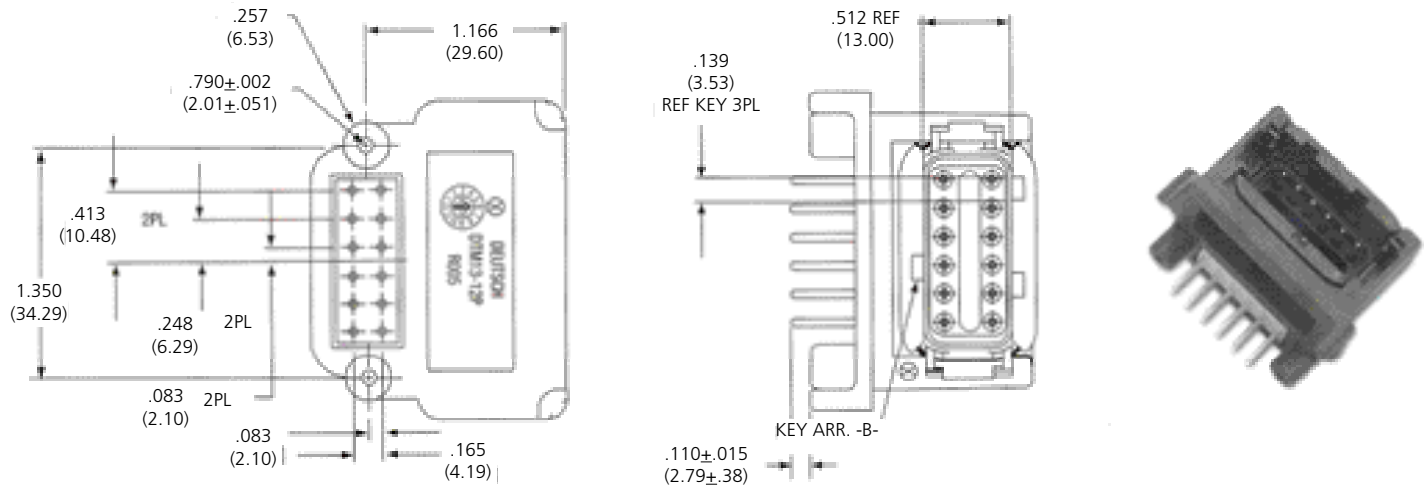
DT SERIES 2 WAY ELECTRONIC PACKAGE

DT 04 - 2 P - RT **

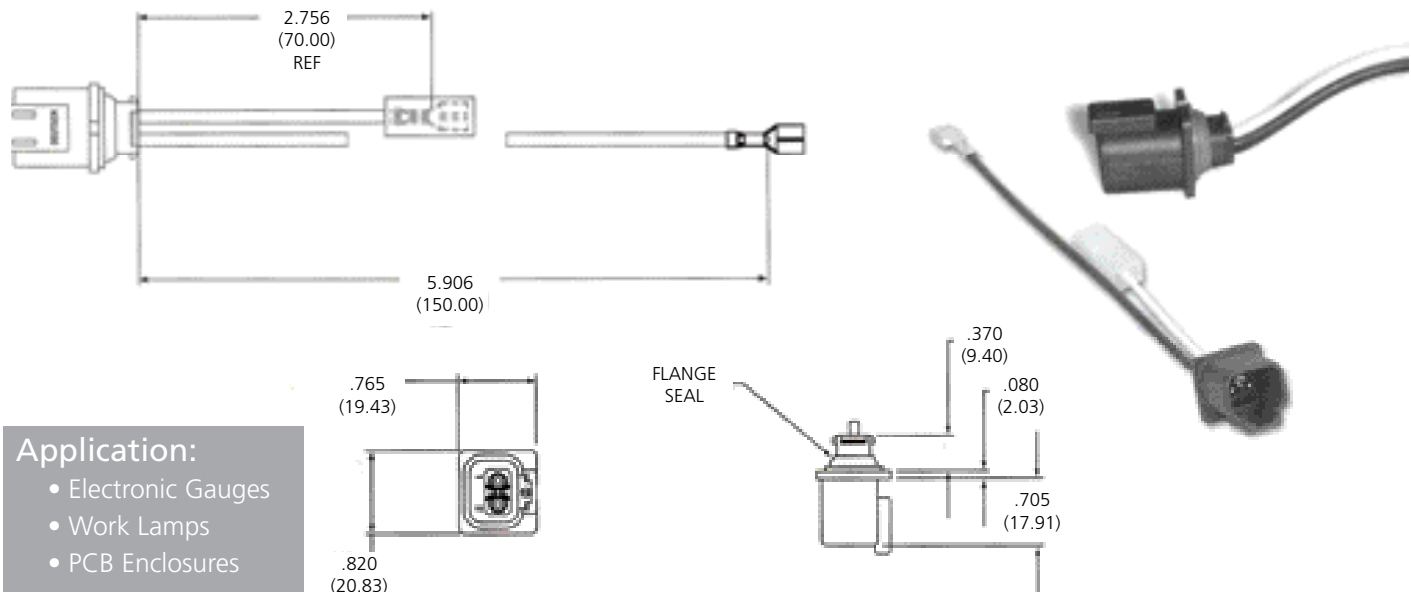




DTM SERIES 12 WAY RECEPTACLE



DT SERIES 2 WAY SNAP IN RECEPTACLE



Application:

- Electronic Gauges
- Work Lamps
- PCB Enclosures

The need for integrated interconnections keeps growing with evolving electronics technology. Integrated housing connectors are one of the solutions to difficult design problems characteristic of Deutsch IPD engineering innovation.

The DTM Series 12-way PCB connector has been designed to exit from a gauge housing or any printed circuit board enclosure. It features size 20, right angle (90°) terminations. Sealing can be achieved against the enclosure with a customer-provided flange seal or potting.

The DT Series 2-way snap-in receptacle features molded-in straight pins. Designed to snap into a work lamp or other housing, it includes a flange seal to provide environmental sealing to the housing. A customer specific pigtail is used to transition from the Deutsch size 16 terminal to customer-specific terminals. Consult factory for more details.

ORDERING INFORMATION

DTM 13 - 12 P B - R005

Series Prefix
90° Receptacle
Special Modification
Polarizing Position
P = Pin
Pin Count

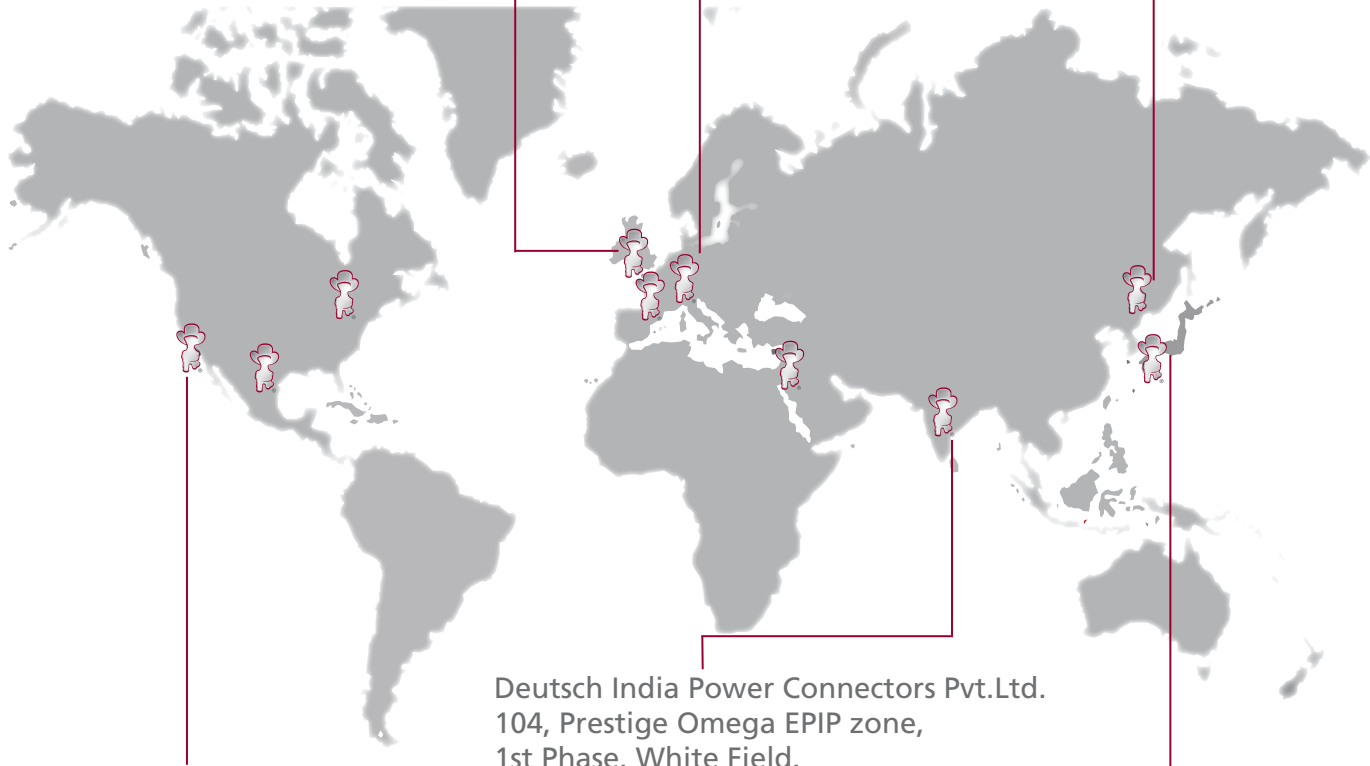
DT 04 - 2 P - RL**

Series Prefix
Receptacle
Mating Plug: DT06-2S-****
Special Modification
Pin Count
P = Pin

Deutsch Industrial UK
Stanier Road
St. Leonards On Sea
East Sussex TN 38 9RF
England
Ph. 44 (0) 1424 852 722
Fax 44 (0) 1424 855 979
industrialuk@deutsch.net

Deutsch Industrial Europe
Fraunhoferstrasse 11b
82152 Martinsried
Germany
Ph. +49 (0) 89 899157-0
Fax +49 (0) 89 857 4684
info.eu@deutsch.net

Deutsch Connectors Trading
(Shanghai) Co., Ltd.
Room 1032, 10F Central Plaza,
381 Huai Hai Zhong Road,
Shanghai 200020, China
Tel/Fax: 86-21-6391 5902
E-mail: salesdichina@deutsch.net



Deutsch Industrial US
3850 Industrial Ave.
Hemet, CA 92545
USA
Ph. +1 (951) 765-2250
Fax +1 (951) 765-2255
insidesales-ipd@deutsch.net

Deutsch India Power Connectors Pvt.Ltd.
104, Prestige Omega EPIP zone,
1st Phase, White Field,
Bangalore - 560 066.
INDIA.
Ph: +91 80 40466525
Mobile: +91 98454 03301

Deutsch Industrial Japan
NIHON Deutsch Ltd.
44-10, Ohyamakanai-cho
Itabashi-ku, Tokyo 173-0024
Japan
Ph. + 81-3-5995-5192
Fax + 81-305995-5193
rtakemura@nihon-deutsch.co.jp



DEUTSCH
INDUSTRIAL

3850 Industrial Avenue, Hemet, California 92545 Tel.: (951) 765-2250 - Fax: (951) 765-2255
Web: www.deutsch.net - Edition 2007

A STEP AHEAD