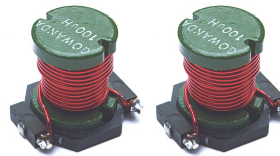
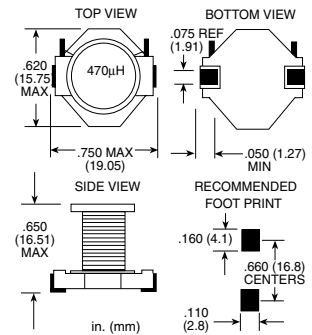


SMP5057LF RoHS Power Inductors



PART NUMBER	L μ H @ 1 kHz	DCR MAX	CURRENT RATING**	
			SATURATION CURRENT* DCAMPS	CURRENT RATING** DCAMPS
SMP5057-391MLF	3.9 \pm 20%	.007	24.0	9.75
SMP5057-471MLF	4.7 \pm 20%	.008	22.0	9.11
SMP5057-561MLF	5.6 \pm 20%	.011	22.0	7.77
SMP5057-681MLF	6.8 \pm 20%	.011	20.0	7.60
SMP5057-821MLF	8.2 \pm 20%	.013	18.0	7.15
SMP5057-102KLF	10 \pm 10%	.016	17.0	6.44
SMP5057-122KLF	12 \pm 10%	.018	15.0	6.07
SMP5057-152KLF	15 \pm 10%	.020	14.0	5.76
SMP5057-182KLF	18 \pm 10%	.022	12.0	5.49
SMP5057-222KLF	22 \pm 10%	.024	11.0	5.26
SMP5057-272KLF	27 \pm 10%	.025	10.0	5.15
SMP5057-332KLF	33 \pm 10%	.028	9.0	4.87
SMP5057-392KLF	39 \pm 10%	.031	8.3	4.63
SMP5057-472KLF	47 \pm 10%	.034	7.4	4.45
SMP5057-562KLF	56 \pm 10%	.043	7.0	3.93
SMP5057-682KLF	68 \pm 10%	.059	6.4	3.36
SMP5057-822KLF	82 \pm 10%	.066	5.7	3.18
SMP5057-103KLF	100 \pm 10%	.084	5.0	2.82
SMP5057-123KLF	120 \pm 10%	.113	4.8	2.43
SMP5057-153KLF	150 \pm 10%	.129	4.4	2.27
SMP5057-183KLF	180 \pm 10%	.150	4.0	2.11
SMP5057-223KLF	220 \pm 10%	.162	3.6	2.03
SMP5057-273KLF	270 \pm 10%	.226	3.2	1.72
SMP5057-333KLF	330 \pm 10%	.257	2.9	1.61
SMP5057-393KLF	390 \pm 10%	.288	2.7	1.52
SMP5057-473KLF	470 \pm 10%	.393	2.5	1.30
SMP5057-563KLF	560 \pm 10%	.504	2.3	1.15
SMP5057-683KLF	680 \pm 10%	.570	2.0	1.08
SMP5057-823KLF	820 \pm 10%	.643	1.9	1.02
SMP5057-104KLF	1000 \pm 10%	.844	1.7	.890
SMP5057-124KLF	1200 \pm 10%	.977	1.5	.825
SMP5057-154KLF	1500 \pm 10%	1.18	1.4	.750
SMP5057-184KLF	1800 \pm 10%	1.50	1.2	.665
SMP5057-224KLF	2200 \pm 10%	1.76	1.1	.615
SMP5057-274KLF	2700 \pm 10%	2.13	1.0	.560
SMP5057-334KLF	3300 \pm 10%	2.53	.93	.510
SMP5057-394KLF	3900 \pm 10%	2.84	.88	.480
SMP5057-474KLF	4700 \pm 10%	3.79	.78	.415
SMP5057-564KLF	5600 \pm 10%	4.24	.70	.395
SMP5057-684KLF	6800 \pm 10%	5.75	.65	.340
SMP5057-824KLF	8200 \pm 10%	6.44	.60	.320
SMP5057-105KLF	10000 \pm 10%	7.30	.53	.300
SMP5057-125KLF	12000 \pm 10%	9.34	.48	.265
SMP5057-155KLF	15000 \pm 10%	10.7	.43	.250
SMP5057-185KLF	18000 \pm 10%	14.8	.40	.210
SMP5057-225KLF	22000 \pm 10%	18.0	.35	.190
SMP5057-275KLF	27000 \pm 10%	22.7	.33	.170
SMP5057-335KLF	33000 \pm 10%	25.7	.28	.160
SMP5057-395KLF	39000 \pm 10%	29.7	.25	.150
SMP5057-475KLF	47000 \pm 10%	33.7	.25	.140
SMP5057-565KLF	56000 \pm 10%	38.0	.23	.130
SMP5057-685KLF	68000 \pm 10%	52.8	.21	.110
SMP5057-825KLF	82000 \pm 10%	67.3	.19	.100
SMP5057-106KLF	100000 \pm 10%	76.0	.17	.090



NOTES:

- Operating temperature -55°C to +125°C
- *Saturation current is the approximate value that will reduce the initial inductance by 5%
- **Rated current is based on a 40°C temperature rise at an ambient temperature of 85°C.

TAPE AND REEL SPECS:

Pcs./Reel maximum:	100
Pitch between parts:	24 mm
Tape width:	32 mm
Reel diameter inches:	13