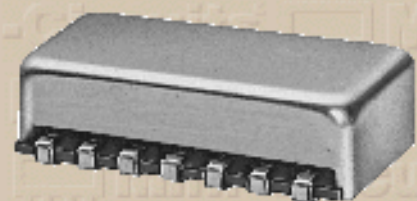


Power Splitter



Notes:

- For Surface Mount Environmental Specifications, please click [here](#). Re-flow soldering information is available in "[Surface Mount](#)" article.
- Non-catalog model. Please consult factory for price and delivery.
- General Quality Control Procedures and Environmental Specifications are given in [Mini-Circuits Guarantees Quality](#). Hi-Rel, MIL description are given in [Hi-Rel and MIL](#)
- Prices and Specifications subjects to change without notice.

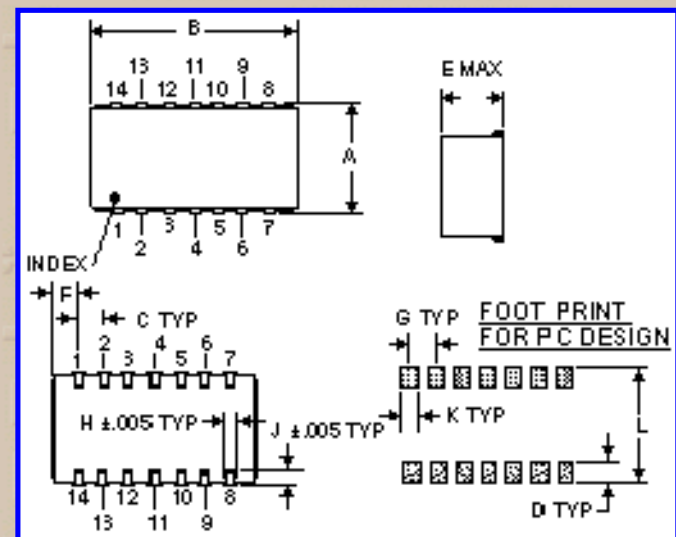
JSPQ-ED8004/1 2 Way-90°

Frequency MHz	Isolation, dB						Insertion Loss, dB						Phase Unbalance Degrees			Amplitude Unbalance, dB		
	L		M		U		L		M		U		L	M	U	L	M	U
$f_L - f_U$	Typ.	Min.	Typ.	Min.	Typ.	Min.	Typ.	Max.	Typ.	Max.	Typ.	Max.	Max.	Max.	Max.	Max.	Max.	Max.
6.00-90																		

L=low range(f_L to $10f_L$) M=mid range($10f_L$ to $f_U/2$) U=upper range($f_U/2$ to f_U)

Pin Connections

Port	Sum Port	Port 1	Port 2	Gnd Ext
mq	1	7	8	all other pins



Case Style - BK276 (inch,mm) weight: 3 grams.

A	B	C	D	E	F	G	H	J
.470	.803		.100	.250	.102	.100	.047	.065
11.938	20.396		2.540	6.350	2.591	2.540	1.194	1.651
K	L	M	N	P	Q	R	S	T
.065	.490							
1.651	12.446							

Tolerance: .x ± .1 .xx ± .03 .xxx ± .015 inch.

Material and Finish:

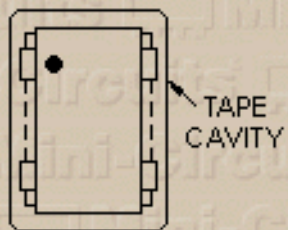
Base: Glass epoxy laminate. Cover: Copper-Nickel alloy.

Leads: tin-lead plate or tin plate iron-nickel alloy.

FREQ (MHz)	Insertion Loss		Amplitude Unbalance (dB)	Isolation (dB) 1-2	Phase Unbalance (Degrees)	FREQ (MHz)	VSWR S	VSWR 1	VSWR 2
	(dB) S-1	(dB) S-2							
6.000	3.27	3.38	0.110	39.28	87.09	6.00	1.15	1.23	1.30
7.000	3.27	3.37	0.100	39.85	88.95	7.00	1.13	1.23	1.26
8.000	3.28	3.37	0.090	40.32	89.88	8.00	1.12	1.23	1.22
9.000	3.28	3.37	0.080	40.71	90.31	9.00	1.11	1.22	1.19
10.00	3.29	3.37	0.080	41.02	90.35	10.00	1.10	1.20	1.16
11.00	3.29	3.39	0.100	41.29	90.35	11.00	1.09	1.18	1.14
12.00	3.29	3.39	0.100	41.53	90.14	12.00	1.08	1.16	1.12
13.00	3.29	3.39	0.100	41.78	90.00	13.00	1.08	1.14	1.10
14.00	3.29	3.40	0.110	42.00	89.86	14.00	1.07	1.12	1.08
15.00	3.29	3.41	0.130	42.20	89.73	15.00	1.07	1.10	1.07
20.00	3.31	3.47	0.150	43.16	89.64	20.00	1.06	1.01	1.05
25.00	3.35	3.52	0.170	43.96	90.17	25.00	1.08	1.10	1.09
30.00	3.40	3.57	0.170	44.63	90.85	30.00	1.10	1.19	1.15
35.00	3.45	3.63	0.170	44.91	91.34	35.00	1.13	1.27	1.20
40.00	3.51	3.68	0.170	44.80	91.62	40.00	1.16	1.33	1.25
45.00	3.56	3.73	0.170	44.35	91.63	45.00	1.19	1.38	1.30
50.00	3.59	3.78	0.180	43.55	91.46	50.00	1.22	1.42	1.35
55.00	3.63	3.82	0.190	42.87	91.11	55.00	1.24	1.45	1.39
60.00	3.66	3.87	0.200	42.11	90.61	60.00	1.26	1.47	1.43
65.00	3.69	3.91	0.220	41.48	89.95	65.00	1.29	1.47	1.47
70.00	3.70	3.94	0.230	40.93	89.36	70.00	1.30	1.47	1.51
75.00	3.71	3.98	0.270	40.39	88.65	75.00	1.32	1.46	1.55
80.00	3.73	4.02	0.290	40.04	87.87	80.00	1.34	1.45	1.58
85.00	3.72	4.05	0.330	39.73	87.14	85.00	1.36	1.44	1.61
90.00	3.74	4.09	0.350	39.46	86.40	90.00	1.38	1.42	1.65

Packaging:

UNIT ORIENTATION



Packaging information:

Tape Width(mm): 32

Reel Size(inches): 13

Device Cavity Pitch(mm): 16

Devices Per Reel: 500



INTERNET <http://www.minicircuits.com>

P.O. Box 350166, Brooklyn, New York 11235-0003 (718) 934-4500 Fax (718) 332-4661

Distribution Centers NORTH AMERICA 800-654-7949 • 417-335-5935 • Fax 417-335-5945 • EUROPE • 44-1252-832600 • Fax 44-1252-837010

ISO 9001 CERTIFIED

[Back](#)

i2 Technologies US, Inc.

HTML Pages converted to PDF Document

This document contain component information from the manufacturer's website which are not available in a revision controlled document from the manufacturer. To facilitate the addition of these parts into the Electronics Database, we are converting the HTML pages related to that part, from the manufacturer's website into Adobe PDF format. The contents of this document is based on the information provided on the manufacturer's website, therefore the information may have been changed by the manufacturer since this was created.

