

Type 420C 85 °C, Long-Life, Inverter Grade, Radial Leaded Best Value High Ripple Type Plug-in



Type 420C is the PC-mount version of the Type 520C screw terminal, computer grade capacitor and the 85 °C version of the Type 450C Inverter Grade capacitor. It delivers the ripple current capability and exceptional life needed for motor-drive bus capacitors and approaches the performance of the 450C at a lower cost. The extended cathode foil of the 420C assures cool operation and heat flow from the capacitor element to the can in all orientations.

Highlights

- For motor drives and UPS systems
- ESRs to 6.9 mΩ
- Printed-circuit mounting
- Thermal-Pak™ extended cathode construction

Specifications

Operating Temperature:	-40 °C to 85 °C
Rated Voltage:	100 to 500 Vdc
Capacitance:	160 µF to 27,000 µF ± 20%
DC Leakage Current:	≤ 3 \sqrt{CV} µA, 4 mA max, 5 minutes
Cold Impedance:	-20 °C multiple of 25 °C $Z \leq 3$

Ripple Current Multipliers: Ambient Temperature

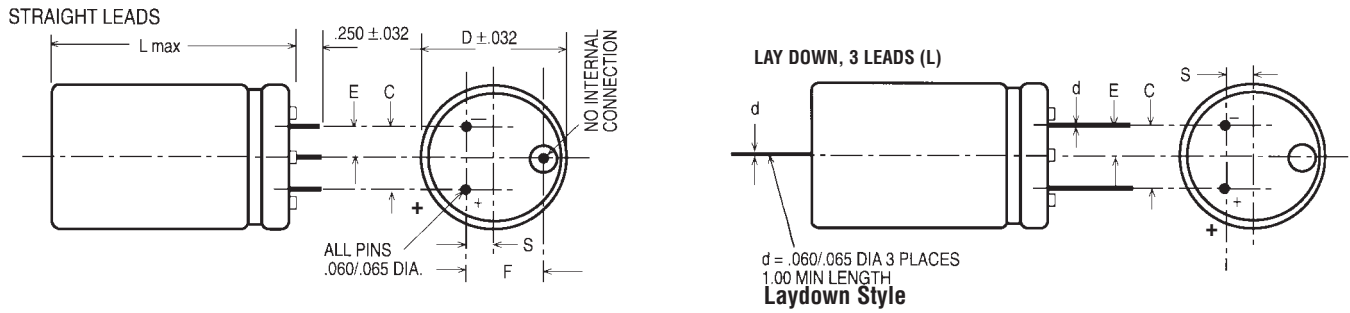
45 °C	55 °C	65 °C	75 °C	85 °C
1.80	1.63	1.45	1.25	1.00

Frequency

	50 Hz	60 Hz	120 Hz	360 Hz	1 kHz	5 kHz	10 kHz
1 3/8" & 1 3/4" Diameters							
100 to 350 V	0.91	0.93	1.00	1.06	1.08	1.09	1.09
400 to 500 V	0.82	0.86	1.00	1.14	1.20	1.23	1.23
2" Diameters							
100 to 350 V	0.92	0.94	1.00	1.05	1.07	1.08	1.08
400 to 500 V	0.82	0.86	1.00	1.14	1.20	1.23	1.27

EIA Ripple Life:	4,000 h at full load at 85 °C per EIA IS-749 Δ Capacitance ± 20% ESR 200 % of limit DCL 100 % of limit
Life Test:	6,000 h at 85 °C with rated voltage Δ Capacitance ± 10% ESR 200 % of limit DCL 100 % of limit
Shelf Life Test:	500 h at 105 °C. Capacitance, ESR and DCL meet initial requirements
Vibration:	10 to 55 Hz, 0.06" and 10 g max, 2 h each plane

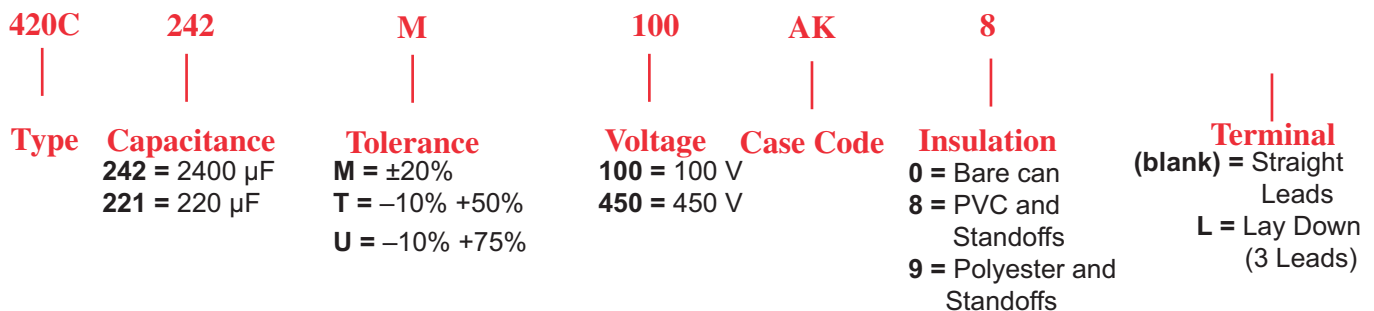
Type 420C 85 °C, Long-Life, Inverter Grade, Radial Leaded Outline Drawings



Case Dimensions

Case Code	Inches						Millimeters					
	D ± .031	L MAX	C ± .015	S ± .031	E ± .031	F ± .015	D ± .78	L MAX	C ± .78	S ± .78	E ± .78	F ± .38
AK	1.375	1.75	0.50	0.175	0.25	0.55	34.93	44.45	12.70	4.45	6.35	13.97
AA	1.375	2.25	0.50	0.175	0.25	0.55	34.93	57.15	12.70	4.45	6.35	13.97
AH	1.375	2.75	0.50	0.175	0.25	0.55	34.98	69.85	12.70	4.45	6.35	13.97
AB	1.375	3.25	0.50	0.175	0.25	0.55	34.93	82.55	12.70	4.45	6.35	13.97
AJ	1.375	3.75	0.50	0.175	0.25	0.55	34.93	95.25	12.70	4.45	6.35	13.97
AC	1.375	4.25	0.50	0.175	0.25	0.55	34.93	107.95	12.70	4.45	6.35	13.97
AD	1.375	4.75	0.50	0.175	0.25	0.55	34.93	120.65	12.70	4.45	6.35	13.97
AE	1.375	5.25	0.50	0.175	0.25	0.55	34.93	133.35	12.70	4.45	6.35	13.97
AF	1.375	5.75	0.50	0.175	0.25	0.55	34.93	146.05	12.70	4.45	6.35	13.97
EA	1.75	2.25	0.70	0.375	0.35	0.90	44.45	57.15	17.78	9.53	8.89	22.86
EH	1.75	2.75	0.70	0.375	0.35	0.90	44.45	69.85	17.78	9.53	8.89	22.86
EB	1.75	3.25	0.70	0.375	0.35	0.90	44.45	82.55	17.78	9.53	8.89	22.86
EJ	1.75	3.75	0.70	0.375	0.35	0.90	44.45	95.25	17.78	9.53	8.89	22.86
EC	1.75	4.25	0.70	0.375	0.35	0.90	44.45	107.95	17.78	9.53	8.89	22.86
ED	1.75	4.75	0.70	0.375	0.35	0.90	44.45	120.65	17.78	9.53	8.89	22.86
EE	1.75	5.25	0.70	0.375	0.35	0.90	44.45	133.35	17.78	9.53	8.89	22.86
EF	1.75	5.75	0.70	0.375	0.35	0.90	44.45	146.05	17.78	9.53	8.89	22.86
BA	2.00	2.25	0.80	0.425	0.40	1.00	50.80	57.15	20.32	10.80	10.16	25.40
BH	2.00	2.75	0.80	0.425	0.40	1.00	50.80	69.85	20.32	10.80	10.16	25.40
BB	2.00	3.25	0.80	0.425	0.40	1.00	50.80	82.55	20.32	10.80	10.16	25.40
BJ	2.00	3.75	0.80	0.425	0.40	1.00	50.80	95.25	20.32	10.80	10.16	25.40
BC	2.00	4.25	0.80	0.425	0.40	1.00	50.80	107.95	20.32	10.80	10.16	25.40
BD	2.00	4.75	0.80	0.425	0.40	1.00	50.80	120.65	20.32	10.80	10.16	25.40
BE	2.00	5.25	0.80	0.425	0.40	1.00	50.80	133.25	20.32	10.80	10.16	25.40
BF	2.00	5.75	0.80	0.425	0.40	1.00	50.80	146.05	20.32	10.80	10.16	25.40

Part Numbering System



Type 420C 85 °C, Long-Life, Inverter Grade, Radial Leaded

Ratings

Cap. (µF)	Catalog Part Number	ESR Max. 25 °C		Ripple Amps, 85 °C		Nominal Size D X L (in)
		120 Hz (mΩ)	20 kHz (mΩ)	120 Hz (A)	20 kHz (A)	
100 Vdc (125 Vdc Surge)						
2400	420C242M100AK8	74.60	50.60	3.80	4.80	1 3/8 X 1 3/4
3600	420C362M100AA8	50.10	34.00	5.30	6.70	1 3/8 X 2 1/4
5000	420C502M100AH8	36.60	24.80	6.40	8.10	1 3/8 X 2 3/4
5300	420C532M100EA8	39.90	27.10	6.90	8.60	1 3/4 X 2 1/4
6400	420C642M100AB8	28.40	19.30	7.90	9.80	1 3/8 X 3 1/4
6800	420C682M100BA8	36.90	25.10	7.70	9.60	2 X 2 1/4
7300	420C732M100EH8	28.60	19.40	8.70	10.90	1 3/4 X 2 3/4
7800	420C782M100AJ8	23.40	15.90	9.10	11.40	1 3/8 X 3 3/4
9100	420C912M100BH8	26.20	17.80	9.80	12.30	2 X 2 3/4
9300	420C932M100AC8	20.00	13.60	10.40	12.90	1 3/8 X 4 1/4
9600	420C962M100EB8	22.20	15.00	10.70	13.30	1 3/4 X 3 1/4
11000	420C113M100AD8	17.60	11.90	11.50	14.40	1 3/8 X 4 3/4
12000	420C123M100AE8	15.80	10.70	12.80	15.90	1 3/8 X 5 1/4
12000	420C123M100EJ8	18.20	12.40	12.20	15.20	1 3/4 X 3 3/4
12000	420C123M100BB8	20.30	13.80	11.80	14.70	2 X 3 1/4
14000	420C143M100EC8	15.60	10.60	13.60	17.00	1 3/4 X 4 1/4
14000	420C143M100AF8	18.10	12.30	12.50	15.70	1 3/8 X 5 3/4
15000	420C153M100BJ8	16.70	11.40	14.50	18.20	2 X 3 3/4
16000	420C163M100ED8	13.70	9.30	15.30	19.20	1 3/4 X 4 3/4
18000	420C183M100EE8	12.30	8.30	17.10	21.40	1 3/4 X 5 1/4
18000	420C183M100BC8	14.30	9.70	15.80	19.70	2 X 4 1/4
20000	420C203M100BD8	12.70	8.60	17.30	21.70	2 X 4 3/4
21000	420C213M100EF8	11.20	7.60	19.20	24.00	1 3/4 X 5 3/4
24000	420C243M100BE8	11.10	7.50	19.20	24.00	2 X 5 1/4
27000	420C273M100BF8	10.20	6.90	20.70	25.90	2 X 5 3/4
160 Vdc (200 Vdc Surge)						
1300	420C132M160AK8	94.80	57.00	4.20	5.40	1 3/8 X 1 3/4
1900	420C192M160AA8	63.90	38.70	5.90	7.50	1 3/8 X 2 1/4
2800	420C282M160EA8	49.00	33.40	7.40	8.90	1 3/4 X 2 1/4
3000	420C302M160AH8	45.00	27.50	7.20	9.20	1 3/8 X 2 3/4
3600	420C362M160AB8	35.10	21.80	8.80	11.10	1 3/8 X 3 1/4
3600	420C362M160BA8	42.80	31.70	8.00	9.30	2 X 2 1/4
3900	420C392M160EH8	34.90	23.60	9.30	11.30	1 3/4 X 2 3/4
4400	420C442M160AJ8	29.10	18.30	10.10	12.70	1 3/8 X 3 3/4
4800	420C482M160BH8	30.10	22.10	10.30	12.10	2 X 2 3/4
5100	420C512M160EB8	27.10	18.50	11.40	13.80	1 3/4 X 3 1/4
5200	420C522M160AC8	25.10	16.00	11.50	14.40	1 3/8 X 4 1/4
5700	420C572M160AD8	23.00	14.70	12.50	15.70	1 3/8 X 4 3/4
6300	420C632M160EJ8	22.40	15.40	13.00	15.60	1 3/4 X 3 3/4
6400	420C642M160BB8	23.50	17.30	12.30	14.40	2 X 3 1/4
6600	420C662M160AE8	20.80	13.50	13.80	17.10	1 3/8 X 5 1/4
7200	420C722M160AF8	19.20	12.70	15.10	18.60	1 3/8 X 5 3/4
7400	420C742M160EC8	19.30	13.40	14.50	17.40	1 3/4 X 4 1/4
7900	420C792M160BJ8	19.40	14.40	15.20	17.60	2 X 3 3/4
8600	420C862M160ED8	17.00	12.00	16.30	19.40	1 3/4 X 4 3/4
9300	420C932M160BC8	16.70	12.50	16.50	19.00	2 X 4 1/4
9700	420C972M160EE8	15.40	10.90	18.10	21.50	1 3/4 X 5 1/4
11000	420C113M160EF8	14.10	10.20	20.20	23.80	1 3/4 X 5 3/4
11000	420C113M160BD8	14.80	11.10	18.10	20.80	2 X 4 3/4
13000	420C133M160BE8	13.10	10.00	19.90	22.70	2 X 5 1/4
14000	420C143M160BF8	12.10	9.30	21.40	24.40	2 X 5 3/4
200 Vdc (250 Vdc Surge)						
900	420C901M200AK8	130.00	73.40	3.60	4.80	1 3/8 X 1 3/4
1300	420C132M200AA8	87.60	49.60	5.00	6.70	1 3/8 X 2 1/4
2000	420C202M200EA8	63.50	40.20	6.50	8.10	1 3/4 X 2 1/4
2000	420C202M200AH8	61.40	35.10	6.20	8.20	1 3/8 X 2 3/4
2500	420C252M200AB8	47.70	27.60	7.50	9.90	1 3/8 X 3 1/4
250 Vdc (300 Vdc Surge)						
600	420C601M250AK8	176.00	75.90	3.10	4.70	1 3/8 X 1 3/4
900	420C901M250AA8	118.00	51.30	4.30	6.60	1 3/8 X 2 1/4
1000	420C102M250AH8	82.60	36.30	5.30	8.00	1 3/8 X 2 3/4
1300	420C132M250EA8	82.30	41.20	5.70	8.00	1 3/4 X 2 1/4
1700	420C172M250AB8	63.80	28.40	6.50	9.80	1 3/8 X 3 1/4
1700	420C172M250BA8	66.60	37.20	6.40	8.60	2 X 2 1/4
1800	420C182M250EH8	59.10	29.20	7.20	10.20	1 3/4 X 2 3/4
2000	420C202M250AJ8	52.40	23.70	7.50	11.20	1 3/8 X 3 3/4
2300	420C232M250BH8	47.50	26.10	8.20	11.10	2 X 2 3/4
2400	420C242M250EB8	45.70	22.80	8.80	12.40	1 3/4 X 3 1/4
2400	420C242M250AC8	44.60	20.60	8.60	12.70	1 3/8 X 4 1/4
2700	420C272M250AD8	40.80	18.80	9.40	13.80	1 3/8 X 4 3/4
2900	420C292M250EJ8	37.40	18.90	10.00	14.10	1 3/4 X 3 3/4
3000	420C302M250BB8	36.70	20.40	9.80	13.20	2 X 3 1/4
3100	420C312M250AE8	36.50	17.20	10.40	15.20	1 3/8 X 5 1/4
3400	420C342M250AF8	33.2	15.9	11.5	16.6	1 3/8 X 5 3/4
3500	420C352M250EC8	31.9	16.3	11.3	15.8	1 3/4 X 4 1/4
3700	420C372M250BJ8	30.1	16.9	12.2	16.3	2 X 3 3/4
4100	420C412M250ED8	27.9	14.5	12.7	17.6	1 3/4 X 4 3/4
4400	420C442M250BC8	25.7	14.6	13.3	17.6	2 X 4 1/4
4600	420C462M250EE8	24.9	13.2	14.2	19.6	1 3/4 X 5 1/4
5100	420C512M250BD8	22.7	13.0	14.6	19.3	2 X 4 3/4
5200	420C522M250EF8	22.6	12.2	16.0	21.8	1 3/4 X 5 3/4
6000	420C602M250BE8	19.7	11.5	16.2	21.2	2 X 5 1/4
6700	420C672M250BF8	18.0	10.7	17.5	22.8	2 X 5 3/4
300 Vdc (350 Vdc Surge)						
450	420C451M300AK8	262.00	126.00	2.30	3.30	1 3/8 X 1 3/4
680	420C681M300AA8	175.00	84.70	3.20	4.50	1 3/8 X 2 1/4
1000	420C102M300AH8	122.00	59.50	3.90	5.60	1 3/8 X 2 3/4
1100	420C112M300EA8	111.00	54.10	4.50	6.50	1 3/4 X 2 1/4
1300	420C132M300AB8	93.70	46.20	4.80	6.80	1 3/8 X 3 1/4
1400	420C142M300BA8	98.90	49.30	5.20	7.40	2 X 2 1/4
1500	420C152M300AJ8	76.40	38.20	5.60	7.90	1 3/8 X 3 3/4
1500	420C152M300EH8	81.10	38.90	5.60	8.10	1 3/4 X 2 3/4
1800	420C182M300AC8	64.70	32.70	6.40	9.00	1 3/8 X 4 1/4
1900	420C192M300BH8	71.00	34.80	6.60	9.40	2 X 2 3/4
2000	420C202M300EB8	62.40	30.20	6.90	10.00	1 3/4 X 3 1/4

Type 420C 85 °C, Long-Life, Inverter Grade, Radial Leaded

Cap. (µF)	Catalog Part Number	ESR Max. 25 °C		Ripple Amps, 85 °C		Nominal Size D X L (in)
		120 Hz (mΩ)	20 kHz (mΩ)	120 Hz (A)	20 kHz (A)	
2200	420C222M300AD8	56.30	28.90	7.10	10.00	1 3/8 X 4 3/4
2500	420C252M300AE8	49.90	26.10	7.90	11.00	1 3/8 X 5 1/4
2500	420C252M300EJ8	50.90	24.90	7.90	11.30	1 3/4 X 3 3/4
2600	420C262M300BB8	54.70	27.10	7.90	11.30	2 X 3 1/4
2700	420C272M300AF8	45.00	23.90	8.80	12.10	1 3/8 X 5 3/4
3000	420C302M300EC8	44.90	22.20	8.90	12.70	1 3/4 X 4 1/4
3200	420C322M300BJ8	44.70	22.30	9.80	13.90	2 X 3 3/4
3400	420C342M300ED8	39.00	19.60	10.10	14.30	1 3/4 X 4 3/4
3700	420C372M300BC8	38.50	19.20	10.70	15.10	2 X 4 1/4
3900	420C392M300EE8	34.70	17.70	11.40	15.90	1 3/4 X 5 1/4
4300	420C432M300BD8	33.30	17.00	11.80	16.60	2 X 4 3/4
4400	420C442M300EF8	31.30	16.20	12.80	17.80	1 3/4 X 5 3/4
5100	420C512M300BE8	28.60	14.90	13.20	18.30	2 X 5 1/4
5700	420C572M300BF8	26.00	13.80	14.40	19.70	2 X 5 3/4
350 Vdc (400 Vdc Surge)						
350	420C351M350AK8	301.00	141.00	2.10	3.10	1 3/8 X 1 3/4
520	420C521M350AA8	201.00	94.40	3.00	4.30	1 3/8 X 2 1/4
700	420C701M350AH8	140.00	66.20	3.60	5.30	1 3/8 X 2 3/4
880	420C881M350EA8	126.00	58.90	4.20	6.20	1 3/4 X 2 1/4
980	420C981M350AB8	107.00	51.40	4.50	6.50	1 3/8 X 3 1/4
1100	420C112M350BA8	111.00	53.00	4.90	7.10	2 X 2 1/4
1200	420C122M350EH8	92.20	42.50	5.30	7.80	1 3/4 X 2 3/4
1200	420C122M350AJ8	87.50	42.30	5.20	7.50	1 3/8 X 3 3/4
1400	420C142M350AC8	74.00	36.20	6.00	8.50	1 3/8 X 4 1/4
1500	420C152M350EB8	70.90	33.00	6.50	9.50	1 3/4 X 3 1/4
1500	420C152M350BH8	80.0	37.5	6.2	9.1	2 X 2 3/4
1700	420C172M350AD8	64.3	31.9	6.7	9.5	1 3/8 X 4 3/4
1900	420C192M350EJ8	57.7	27.1	7.5	10.9	1 3/4 X 3 3/4
1900	420C192M350AE8	57.0	28.7	7.4	10.5	1 3/8 X 5 1/4
2000	420C202M350BB8	61.6	29.1	7.5	10.9	2 X 3 1/4
2100	420C212M350AF8	51.3	26.2	8.2	11.5	1 3/8 X 5 3/4
2300	420C232M350EC8	50.9	24.2	8.4	12.2	1 3/4 X 4 1/4
2400	420C242M350BJ8	50.2	24.0	9.3	13.4	2 X 3 3/4
2600	420C262M350ED8	44.2	21.3	9.5	13.7	1 3/4 X 4 3/4
2800	420C282M350BC8	43.3	20.6	10.1	14.6	2 X 4 1/4
3000	420C302M350EE8	39.2	19.1	10.7	15.3	1 3/4 X 5 1/4
3300	420C332M350BD8	37.4	18.2	11.2	16.0	2 X 4 3/4
3400	420C342M350EF8	35.3	17.5	12.0	17.1	1 3/4 X 5 3/4
3900	420C392M350BE8	32.1	16.0	12.5	17.7	2 X 5 1/4
4300	420C432M350BF8	29.0	14.7	13.6	19.1	2 X 5 3/4
400 Vdc (450 Vdc Surge)						
290	420C291M400AK8	341.00	155.00	2.00	2.90	1 3/8 X 1 3/4
440	420C441M400AA8	228.00	104.00	2.80	4.10	1 3/8 X 2 1/4
600	420C601M400AH8	158.00	73.00	3.40	5.00	1 3/8 X 2 3/4
740	420C741M400EA8	141.00	63.90	4.00	5.90	1 3/4 X 2 1/4
830	420C831M400AB8	122.00	56.60	4.20	6.20	1 3/8 X 3 1/4
920	420C921M400BA8	124.00	56.80	4.60	6.90	2 X 2 1/4
1000	420C102M400EH8	104.00	46.20	5.00	7.50	1 3/4 X 2 3/4
1000	420C102M400AJ8	98.90	46.50	4.90	7.10	1 3/8 X 3 3/4
1200	420C122M400BH8	89.30	40.30	5.90	8.80	2 X 2 3/4
1200	420C122M400AC8	83.60	39.80	5.60	8.10	1 3/8 X 4 1/4
1300	420C132M400EB8	79.50	35.80	6.10	9.20	1 3/4 X 3 1/4
1400	420C142M400AD8	72.60	35.00	6.30	9.10	1 3/8 X 4 3/4
1600	420C162M400AE8	64.30	31.40	7.00	10.00	1 3/8 X 5 1/4
1600	420C162M400EJ8	64.70	29.40	7.00	10.40	1 3/4 X 3 3/4
1700	420C172M400BB8	68.60	31.30	7.10	10.50	2 X 3 1/4
1800	420C182M400AF8	57.80	28.70	7.80	11.00	1 3/8 X 5 3/4
1900	420C192M400EC8	57.00	26.20	7.90	11.70	1 3/4 X 4 1/4
2000	420C202M400BJ8	55.90	25.70	8.80	13.00	2 X 3 3/4

Cap. (µF)	Catalog Part Number	ESR Max. 25 °C		Ripple Amps, 85 °C		Nominal Size D X L (in)
		120 Hz (mΩ)	20 kHz (mΩ)	120 Hz (A)	20 kHz (A)	
2200	420C222M400ED8	49.50	23.00	9.00	13.20	1 3/4 X 4 3/4
2400	420C242M400BC8	48.20	22.00	9.50	14.10	2 X 4 1/4
2500	420C252M400EE8	43.90	20.60	10.10	14.70	1 3/4 X 5 1/4
2800	420C282M400EF8	39.50	18.80	11.40	16.50	1 3/4 X 5 3/4
2800	420C282M400BD8	41.60	19.50	10.60	15.50	2 X 4 3/4
3300	420C332M400BE8	35.60	17.00	11.80	17.10	2 X 5 1/4
3700	420C372M400BF8	32.20	15.60	12.90	18.50	2 X 5 3/4
450 Volts (500 Volts Surge)						
220	420C221M450AK8	383.00	171.00	1.90	2.80	1 3/8 X 1 3/4
330	420C331M450AA8	256.00	115.00	2.60	3.90	1 3/8 X 2 1/4
500	420C501M450AH8	178.00	80.30	3.20	4.80	1 3/8 X 2 3/4
570	420C571M450EA8	157.00	69.10	3.80	5.70	1 3/4 X 2 1/4
630	420C631M450AB8	137.00	62.20	4.00	5.90	1 3/8 X 3 1/4
700	420C701M450BA8	138.00	60.90	4.40	6.60	2 X 2 1/4
760	420C761M450EH8	116.00	50.10	4.70	7.20	1 3/4 X 2 3/4
760	420C761M450AJ8	111.00	51.10	4.60	6.80	1 3/8 X 3 3/4
910	420C911M450AC8	93.80	43.60	5.30	7.80	1 3/8 X 4 1/4
940	420C941M450BH8	99.10	43.30	5.60	8.50	2 X 2 3/4
1000	420C102M450EB8	88.80	38.80	5.80	8.80	1 3/4 X 3 1/4
1100	420C112M450AD8	81.40	38.20	5.90	8.70	1 3/8 X 4 3/4
1200	420C122M450EJ8	72.20	31.80	6.70	10.00	1 3/4 X 3 3/4
1200	420C122M450AE8	72.00	34.30	6.60	9.60	1 3/8 X 5 1/4
1300	420C132M450AF8	64.70	31.20	7.30	10.60	1 3/8 X 5 3/4
1300	420C132M450BB8	76.10	33.50	6.70	10.10	2 X 3 1/4
1500	420C152M450EC8	63.50	28.30	7.50	11.30	1 3/4 X 4 1/4
1600	420C162M450BJ8	62.00	27.60	8.30	12.50	2 X 3 3/4
1700	420C172M450ED8	55.10	24.80	8.50	12.70	1 3/4 X 4 3/4
1800	420C182M450BC8	53.30	23.60	9.10	13.60	2 X 4 1/4
1900	420C192M450EE8	48.80	22.20	9.60	14.20	1 3/4 X 5 1/4
2100	420C212M450BD8	46.10	20.80	10.10	15.00	2 X 4 3/4
2200	420C222M450EF8	43.90	20.30	10.80	15.90	1 3/4 X 5 3/4
2500	420C252M450BE8	39.30	18.20	11.30	16.60	2 X 5 1/4
2800	420C282M450BF8	35.50	16.60	12.30	17.90	2 X 5 3/4
500 Vdc (550 Vdc Surge)						
160	420C161M500AK8	416.00	151.00	1.80	3.00	1 3/8 X 1 3/4
240	420C241M500AA8	278.00	101.00	2.50	4.20	1 3/8 X 2 1/4
350	420C351M500AH8	193.00	70.50	3.10	5.10	1 3/8 X 2 3/4
370	420C371M500EA8	248.00	140.00	3.50	5.60	1 3/4 X 2 1/4
460	420C461M500AB8	148.00	54.50	3.80	6.30	1 3/8 X 3 1/4
480	420C481M500BA8	197.00	118.00	4.10	6.50	2 X 2 1/4
540	420C541M500EH8	172.00	97.80	4.50	7.20	1 3/4 X 2 3/4
570	420C571M500AJ8	121.00	44.60	4.40	7.30	1 3/8 X 3 3/4
670	420C671M500BH8	137.00	82.30	5.40	8.30	2 X 2 3/4
670	420C671M500AC8	137.00	79.30	5.10	8.30	1 3/8 X 4 1/4
710	420C711M500EB8	132.00	75.50	5.50	8.80	1 3/4 X 3 1/4
750	420C751M500AD8	88.40	33.30	5.70	9.30	1 3/8 X 4 3/4
880	420C881M500EJ8	108.00	61.90	6.40	10.10	1 3/4 X 3 3/4
890	420C891M500BB8	105.00	63.70	6.40	10.00	2 X 3 1/4
890	420C891M500AE8	78.20	29.70	6.30	10.30	1 3/8 X 5 1/4
1000	420C102M500EC8	90.90	52.70	7.20	11.40	1 3/4 X 4 1/4
1000	420C102M500AF8	70.30	27.00	7.00	11.40	1 3/8 X 5 3/4
1100	420C112M500BJ8	85.80	52.20	8.00	12.30	2 X 3 3/4
1200	420C122M500ED8	78.90	46.10	8.10	12.80	1 3/4 X 4 3/4
1300	420C132M500BC8	72.60	44.60	8.70	13.40	2 X 4 1/4
1400	420C142M500EE8	69.90	41.30	9.10	14.30	1 3/4 X 5 1/4
1500	420C152M500EF8	62.90	37.50	10.30	16.10	1 3/4 X 5 3/4
1500	420C152M500BD8	63.10	39.10	9.70	14.80	2 X 4 3/4
1800	420C182M500BE8	54.50	34.20	10.80	16.40	2 X 5 1/4
2000	420C202M500BF8	49.20	31.30	11.70	17.80	2 X 5 3/4