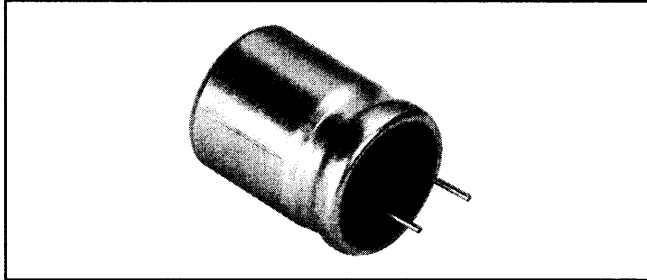


Aluminum Capacitors + 105°C, Tubular, Radial Lead



FEATURES

- Wide temperature range
- Radial design in two and three lead configuration
- Ideal SMPS output filter

PERFORMANCE CHARACTERISTICS

Operating Temperature: - 55°C to + 105°C.

Capacitance Range: 27μF to 27,000μF.

Capacitance Tolerance: - 10%, + 50%.

Voltage Rating: 6.3 WVDC to 250 WVDC.

Case Size Range: 0.75" x 1.125" [1.905 x 28.575]
to 1.0" x 3.625" [25.4 x 92.075].

Termination: Radial leads.

Life Validation Test: 2000 hours @ + 105°C:

Δ CAP ≤ 15% from initial measurement.

Δ ESR ≤ 1.5 x initial specified limit.

Δ DCL ≤ initial specified limit.

Shelf Test: 500 hours @ + 105°C:

Δ CAP ≤ 10% from initial measurement.

Δ ESR ≤ 1.15 x initial specified limit.

Δ DCL ≤ 2 x initial specified limit.

DC Leakage Current:

$$I = K\sqrt{CV}$$

$$K = 0.5 @ + 25^\circ\text{C}$$

I in μA, C in μF, V in Volts.

RIPPLE CURRENT MULTIPLIERS					
TEMPERATURE					
Ambient Temperature	Multipliers				
+ 105°C	0.4				
+ 85°C	1.0				
+ 65°C	1.4				
+ 45°C	1.7				
+ 25°C	2.0				
FREQUENCY (Hz)					
Rated WVDC	50 - 60	100 - 120	300 - 400	1000	20,000
0 - 60	0.60	0.75	0.80	0.90	1.0
61 - 250	0.43	0.54	0.75	0.85	1.0

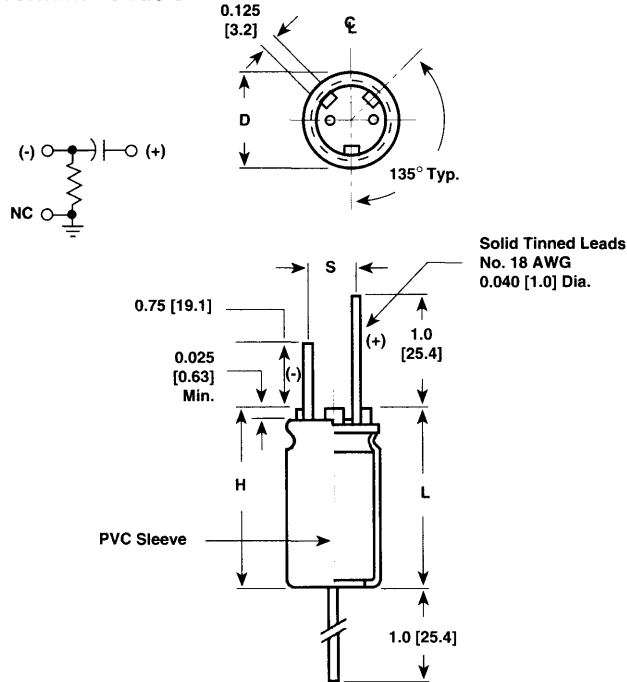
LOW TEMPERATURE PERFORMANCE			
CAPACITANCE RATIO C - 55°C/C + 25°C MINIMUM @ 120Hz			
Rated Voltage (WVDC)	6.3 - 25	40 - 100	150 - 250
Capacitance Remaining	75%	80%	65%
ESR RATIO ESR - 55°C/ESR + 25°C MAXIMUM @ 120Hz			
Rated Voltage (WVDC)	0 - 12	13 - 40	41 - 250
Multipliers	8	10	16
ESL (TYPICAL VALUES @ 1MHz TO 10MHz)			
Nominal Diameter	0.75 [19.0]	0.875 [22.0]	1.00 [25.0]
Typical ESL (nH)	10	11	13

DIMENSIONAL CONFIGURATIONS [Numbers in brackets indicate millimeters]

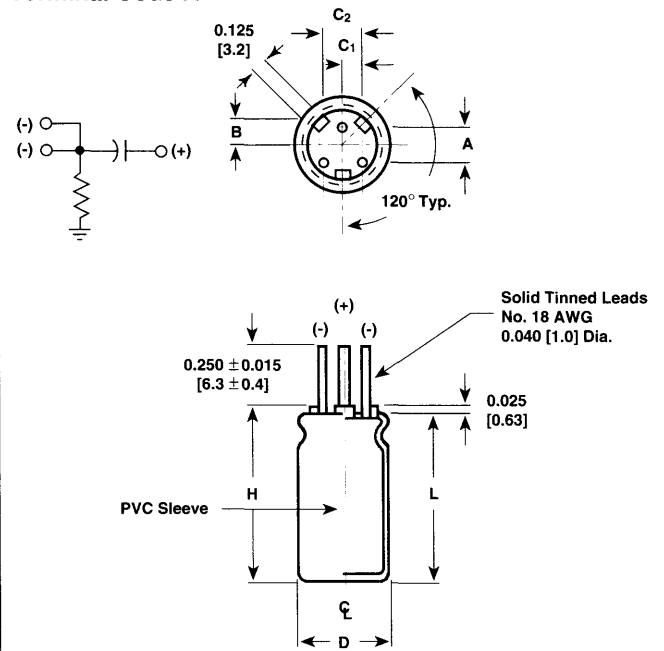
Terminal Code C

DIMENSIONAL CONFIGURATIONS [Numbers in brackets indicate millimeters]

Terminal Code J



Terminal Code A



LEAD SPACING

CASE DIAMETER	A ± 0.015 [0.4]	B ± 0.015 [0.4]	C ₁ ± 0.015 [0.4]	C ₂ ± 0.015 [0.4]
0.750 [19.1]	0.300 [7.6]	0.167 [4.23]	0.100 [2.5]	0.200 [5.1]
0.875 [22.2]	0.400 [10.2]	0.228 [5.79]	0.150 [3.8]	0.300 [7.6]
1.000 [25.4]	0.400 [10.2]	0.228 [5.79]	0.150 [3.8]	0.300 [7.6]

CASE CODE	STYLE 1 STYLE 7		OVERALL LENGTH H (Max.)	LEAD SPACING* S ± 0.015 [0.4]	TYPICAL WEIGHT Oz. (Grams)
	D ± 0.015 [0.4]	L ± 0.062 [1.6]			
GE	0.770 [19.6]	1.150 [29.2]	1.246 [31.6]	0.250 [6.4]	0.46 (13)
GJ	0.770 [19.6]	1.650 [41.9]	1.746 [44.3]	0.250 [6.4]	0.67 (19)
GL	0.770 [19.6]	2.150 [54.6]	2.246 [57.0]	0.250 [6.4]	0.74 (21)
GP	0.770 [19.6]	2.650 [67.3]	2.746 [69.7]	0.250 [6.4]	0.88 (25)
GS	0.770 [19.6]	3.150 [80.0]	3.246 [82.4]	0.250 [6.4]	1.16 (33)
GT	0.770 [19.6]	3.650 [92.7]	3.746 [95.1]	0.250 [6.4]	1.34 (38)
HE	0.895 [22.7]	1.150 [29.2]	1.246 [31.6]	0.300 [7.6]	0.63 (18)
HJ	0.895 [22.7]	1.650 [41.9]	1.746 [44.3]	0.300 [7.6]	0.95 (27)
HL	0.895 [22.7]	2.150 [54.6]	2.246 [57.0]	0.300 [7.6]	1.02 (29)
HP	0.895 [22.7]	2.650 [67.3]	2.746 [69.7]	0.300 [7.6]	1.37 (39)
HS	0.895 [22.7]	3.150 [80.0]	3.246 [82.4]	0.300 [7.6]	1.73 (49)
HT	0.895 [22.7]	3.650 [92.7]	3.746 [95.1]	0.300 [7.6]	2.08 (59)
JE	1.020 [25.9]	1.150 [29.2]	1.246 [31.6]	0.400 [10.2]	0.81 (23)
JJ	1.020 [25.9]	1.650 [41.9]	1.746 [44.3]	0.400 [10.2]	1.02 (29)
JL	1.020 [25.9]	2.150 [54.6]	2.246 [57.0]	0.400 [10.2]	1.20 (34)
JP	1.020 [25.9]	2.650 [67.3]	2.746 [69.7]	0.400 [10.2]	1.87 (53)
JS	1.020 [25.9]	3.150 [80.0]	3.246 [82.4]	0.400 [10.2]	2.22 (63)
JT	1.020 [25.9]	3.650 [92.7]	3.746 [95.1]	0.400 [10.2]	2.54 (72)

* Type 673D only.

Types 673D and 674D

Vishay Sprague



STANDARD RATINGS [Numbers in brackets indicate millimeters]						
CAPACITANCE (μ F)	PART NUMBER	NOMINAL CASE SIZE D x L	Max. ESR @ + 25°C (m Ω)		Max. RIPPLE @ + 85°C (A) 20k - 40kHz	Max. IMPEDANCE @ 100kHz (m Ω)
			120Hz	20k - 40kHz		
6.3 WVDC @ + 105°C, SURGE = 9 V						
2200.0	673D228F6R3GE1C	0.770 x 1.150 [19.6 x 29.2]	105.0	81.0	2.30	83.0
4700.0	673D478F6R3GJ1C	0.770 x 1.650 [19.6 x 41.9]	53.0	41.0	3.70	43.0
6800.0	673D688F6R3GL1C	0.770 x 2.150 [19.6 x 54.6]	36.0	28.0	4.95	30.0
8200.0	673D828F6R3GP1C	0.770 x 2.650 [19.6 x 67.3]	28.0	22.7	6.11	25.0
10000.0	673D109F6R3GS1C	0.770 x 3.150 [19.6 x 80.0]	23.0	19.0	7.20	21.0
12000.0	673D129F6R3GT1C	0.770 x 3.650 [19.6 x 92.7]	21.0	17.0	8.14	19.0
3300.0	673D338F6R3HE1C	0.895 x 1.150 [22.7 x 29.2]	74.0	58.0	3.00	60.0
6800.0	673D688F6R3HJ1C	0.895 x 1.650 [22.7 x 41.9]	38.0	39.0	4.73	41.0
10000.0	673D109F6R3HL1C	0.895 x 2.150 [22.7 x 54.6]	27.0	22.0	6.20	24.0
15000.0	673D159F6R3HP1C	0.895 x 2.650 [22.7 x 67.3]	21.0	17.4	7.62	19.0
18000.0	673D189F6R3HS1C	0.895 x 3.150 [22.7 x 80.0]	18.0	15.0	8.83	17.0
22000.0	673D229F6R3HT1C	0.895 x 3.650 [22.7 x 92.7]	15.8	13.3	10.10	15.0
4700.0	673D478F6R3JE1C	1.020 x 1.150 [25.9 x 29.2]	60.0	48.0	3.60	50.0
10000.0	673D109F6R3JJ1C	1.020 x 1.650 [25.9 x 41.9]	32.0	26.0	5.54	28.0
15000.0	673D159F6R3JL1C	1.020 x 2.150 [25.9 x 54.6]	22.6	18.8	7.30	21.0
18000.0	673D189F6R3JP1C	1.020 x 2.650 [25.9 x 67.3]	18.0	15.2	8.81	17.0
22000.0	673D229F6R3JS1C	1.020 x 3.150 [25.9 x 80.0]	15.4	13.0	10.20	14.0
27000.0	673D279F6R3JT1C	1.020 x 3.650 [25.9 x 92.7]	13.4	11.5	11.60	13.0
7.5 WVDC @ + 105°C, SURGE = 10 V						
1800.0	673D188F7R5GE1C	0.770 x 1.150 [19.6 x 29.2]	110.0	82.0	2.30	84.0
3900.0	673D398F7R5GJ1C	0.770 x 1.650 [19.6 x 41.9]	55.0	41.0	3.70	52.0
5600.0	673D568F7R5GL1C	0.770 x 2.150 [19.6 x 54.6]	38.0	29.0	4.93	31.0
8200.0	673D828F7R5GP1C	0.770 x 2.650 [19.6 x 67.3]	29.5	22.8	6.10	25.0
10000.0	673D109F7R5GS1C	0.770 x 3.150 [19.6 x 80.0]	25.8	20.0	7.04	22.0
12000.0	673D129F7R5GT1C	0.770 x 3.650 [19.6 x 92.7]	22.0	17.4	8.06	19.0
3300.0	673D338F7R5HE1C	0.895 x 1.150 [22.7 x 29.2]	76.0	58.4	2.97	61.0
5600.0	673D568F7R5HJ1C	0.895 x 1.650 [22.7 x 41.9]	39.5	30.6	4.72	33.0
8200.0	673D828F7R5HL1C	0.895 x 2.150 [22.7 x 54.6]	27.7	21.8	6.23	24.0
12000.0	673D129F7R5HP1C	0.895 x 2.650 [22.7 x 67.3]	22.0	17.6	7.58	20.0
15000.0	673D159F7R5HS1C	0.895 x 3.150 [22.7 x 80.0]	18.7	15.0	8.82	17.0
18000.0	673D189F7R5HT1C	0.895 x 3.650 [22.7 x 92.7]	16.4	13.5	9.97	15.0
3900.0	673D398F7R5JE1C	1.020 x 1.150 [25.9 x 29.2]	62.0	48.0	3.55	50.0
8200.0	673D828F7R5JJ1C	1.020 x 1.650 [25.9 x 41.9]	32.0	25.9	5.56	28.0
12000.0	673D129F7R5JL1C	1.020 x 2.150 [25.9 x 54.6]	23.5	19.0	7.22	21.0
18000.0	673D189F7R5JP1C	1.020 x 2.650 [25.9 x 67.3]	18.3	15.0	8.83	17.0
22000.0	673D229F7R5JS1C	1.020 x 3.150 [25.9 x 80.0]	15.8	13.0	10.20	15.0
27000.0	673D279F7R5JT1C	1.020 x 3.650 [25.9 x 92.7]	13.8	11.6	11.60	13.0
10 WVDC @ + 105°C, SURGE = 12 V						
1800.0	673D188F010GE1C	0.770 x 1.150 [19.6 x 29.2]	123.0	89.0	2.20	91.0
3300.0	673D338F010GJ1C	0.770 x 1.650 [19.6 x 41.9]	60.0	44.0	3.56	46.0
5600.0	673D568F010GL1C	0.770 x 2.150 [19.6 x 54.6]	41.0	30.0	4.79	32.0
6800.0	673D688F010GP1C	0.770 x 2.650 [19.6 x 67.3]	31.0	24.0	5.93	26.0
8200.0	673D828F010GS1C	0.770 x 3.150 [19.6 x 80.0]	26.0	20.0	7.02	22.0
10000.0	673D109F010GT1C	0.770 x 3.650 [19.6 x 92.7]	23.0	17.8	7.97	20.0
2700.0	673D278F010HE1C	0.895 x 1.150 [22.7 x 29.2]	82.0	61.0	2.90	62.0
5600.0	673D568F010HJ1C	0.895 x 1.650 [22.7 x 41.9]	42.0	32.0	4.61	34.0
8200.0	673D828F010HL1C	0.895 x 2.150 [22.7 x 54.6]	29.6	22.0	6.11	24.0
10000.0	673D109F010HP1C	0.895 x 2.650 [22.7 x 67.3]	24.0	18.0	7.33	20.0
12000.0	673D129F010HS1C	0.895 x 3.150 [22.7 x 80.0]	19.9	15.8	8.63	17.0
15000.0	673D159F010HT1C	0.895 x 3.650 [22.7 x 92.7]	17.3	13.8	9.85	16.0
3900.0	673D398F010JE1C	1.020 x 1.150 [25.9 x 29.2]	66.6	50.0	3.47	52.0
6800.0	673D688F010JJ1C	1.020 x 1.650 [25.9 x 41.9]	34.0	26.7	5.48	29.0
12000.0	673D129F010JL1C	1.020 x 2.150 [25.9 x 54.6]	24.0	19.0	7.18	21.0
15000.0	673D159F010JP1C	1.020 x 2.650 [25.9 x 67.3]	19.2	15.0	8.72	17.0
18000.0	673D189F010JS1C	1.020 x 3.150 [25.9 x 80.0]	16.0	13.0	10.20	15.0
22000.0	673D229F010JT1C	1.020 x 3.650 [25.9 x 92.7]	14.3	11.8	11.50	14.0
12 WVDC @ + 105°C, SURGE = 16 V						
1500.0	673D158F012GE1C	0.770 x 1.150 [19.6 x 29.2]	119.0	83.0	2.26	85.0
3300.0	673D338F012GJ1C	0.770 x 1.650 [19.6 x 41.9]	60.0	42.0	3.65	44.0
4700.0	673D478F012GL1C	0.770 x 2.150 [19.6 x 54.6]	41.0	29.0	4.88	31.0
6800.0	673D688F012GP1C	0.770 x 2.650 [19.6 x 67.3]	31.0	23.0	6.07	26.0
8200.0	673D828F012GS1C	0.770 x 3.150 [19.6 x 80.0]	26.0	19.4	7.14	22.0
10000.0	673D109F012GT1C	0.770 x 3.650 [19.6 x 92.7]	23.0	17.0	8.11	20.0
2200.0	673D228F012HE1C	0.895 x 1.150 [22.7 x 29.2]	83.0	60.0	2.93	62.0
4700.0	673D478F012HJ1C	0.895 x 1.650 [22.7 x 41.9]	42.0	31.0	4.69	33.0
6800.0	673D688F012HL1C	0.895 x 2.150 [22.7 x 54.6]	29.0	22.0	6.20	25.0
10000.0	673D109F012HP1C	0.895 x 2.650 [22.7 x 67.3]	24.0	18.3	7.43	21.0
12000.0	673D129F012HS1C	0.895 x 3.150 [22.7 x 80.0]	19.7	15.0	8.82	18.0



STANDARD RATINGS [Numbers in brackets indicate millimeters]						
CAPACITANCE (μ F)	PART NUMBER	NOMINAL CASE SIZE D x L	Max. ESR @ + 25°C (m Ω)		Max. RIPPLE @ + 85°C (A) 20k - 40kHz	Max. IMPEDANCE @ 100kHz (m Ω)
			120Hz	20k - 40kHz		
12 WVDC @ + 105°C, SURGE = 16 V						
15000.0	673D159F012HT1C	0.895 x 3.650 [22.7 x 92.7]	17.0	13.3	10.10	16.0
3300.0	673D338F012JE1C	1.020 x 1.150 [25.9 x 29.2]	66.0	49.0	3.53	52.0
6800.0	673D688F012JJ1C	1.020 x 1.650 [25.9 x 41.9]	34.0	26.0	5.54	29.0
10000.0	673D109F012JL1C	1.020 x 2.150 [25.9 x 54.6]	25.5	19.0	7.12	22.0
12000.0	673D129F012JP1C	1.020 x 2.650 [25.9 x 67.3]	19.7	15.0	8.75	18.0
18000.0	673D189F012JS1C	1.020 x 3.150 [25.9 x 80.0]	16.4	13.0	10.20	16.0
22000.0	673D229F012JT1C	1.020 x 3.650 [25.9 x 92.7]	14.6	11.8	11.50	15.0
16 WVDC @ + 105°C, SURGE = 20 V						
1200.0	673D128F016GE1C	0.770 x 1.150 [19.6 x 29.2]	129.0	83.0	2.24	85.0
2700.0	673D278F016GJ1C	0.770 x 1.650 [19.6 x 41.9]	65.0	43.0	3.62	45.0
3900.0	673D398F016GL1C	0.770 x 2.150 [19.6 x 54.6]	44.0	30.0	4.84	32.0
5600.0	673D568F016GP1C	0.770 x 2.650 [19.6 x 67.3]	34.0	23.5	6.01	26.0
6800.0	673D688F016GS1C	0.770 x 3.150 [19.6 x 80.0]	28.0	19.7	7.09	23.0
8200.0	673D828F016GT1C	0.770 x 3.650 [19.6 x 92.7]	24.0	17.0	8.16	21.0
2200.0	673D228F016HE1C	0.895 x 1.150 [22.7 x 29.2]	89.0	59.0	2.93	61.0
3900.0	673D398F016HJ1C	0.895 x 1.650 [22.7 x 41.9]	45.0	31.6	4.64	34.0
5600.0	673D568F016HL1C	0.895 x 2.150 [22.7 x 54.6]	31.6	22.4	6.14	25.0
8200.0	673D828F016HP1C	0.895 x 2.650 [22.7 x 67.3]	24.7	17.9	7.51	20.0
10000.0	673D109F016HS1C	0.895 x 3.150 [22.7 x 80.0]	20.7	15.2	8.79	18.0
12000.0	673D129F016HT1C	0.895 x 3.650 [22.7 x 92.7]	18.0	13.6	9.93	17.0
2700.0	673D278F016JE1C	1.020 x 1.150 [25.9 x 29.2]	71.0	50.0	3.49	52.0
5600.0	673D568F016JJ1C	1.020 x 1.650 [25.9 x 41.9]	36.7	26.7	5.48	29.0
8200.0	673D828F016JL1C	1.020 x 2.150 [25.9 x 54.6]	26.0	19.2	7.18	22.0
12000.0	673D129F016JP1C	1.020 x 2.650 [25.9 x 67.3]	20.5	15.4	8.75	19.0
15000.0	673D159F016JS1C	1.020 x 3.150 [25.9 x 80.0]	17.4	13.3	10.20	17.0
18000.0	673D189F016JT1C	1.020 x 3.650 [25.9 x 92.7]	15.3	11.8	11.50	17.0
20 WVDC @ + 105°C, SURGE = 30 V						
1000.0	673D108F020GE1C	0.770 x 1.150 [19.6 x 29.2]	140.0	84.0	2.16	87.0
1800.0	673D188F020GJ1C	0.770 x 1.650 [19.6 x 41.9]	67.0	44.0	3.56	47.0
2700.0	673D278F020GL1C	0.770 x 2.150 [19.6 x 54.6]	45.0	30.0	4.81	33.0
3900.0	673D398F020GP1C	0.770 x 2.650 [19.6 x 67.3]	34.9	23.9	6.96	27.0
4700.0	673D478F020GS1C	0.770 x 3.150 [19.6 x 80.0]	28.7	19.9	7.05	24.0
5600.0	673D568F020GT1C	0.770 x 3.650 [19.6 x 92.7]	24.6	17.0	8.09	21.0
1500.0	673D158F020HE1C	0.895 x 1.150 [22.7 x 29.2]	94.0	59.0	2.86	62.0
3300.0	673D338F020HJ1C	0.895 x 1.650 [22.7 x 41.9]	46.9	32.0	4.60	35.0
4700.0	673D478F020HL1C	0.895 x 2.150 [22.7 x 54.6]	32.0	22.7	6.10	26.0
6800.0	673D688F020HP1C	0.895 x 2.650 [22.7 x 67.3]	25.0	18.0	7.49	21.0
8200.0	673D828F020HS1C	0.895 x 3.150 [22.7 x 80.0]	21.0	15.3	8.77	19.0
10000.0	673D109F020HT1C	0.895 x 3.650 [22.7 x 92.7]	18.0	13.6	9.93	18.0
2200.0	673D228F020JE1C	1.020 x 1.150 [25.9 x 29.2]	72.0	49.0	3.48	52.0
4700.0	673D478F020JJ1C	1.020 x 1.650 [25.9 x 41.9]	37.0	26.0	5.47	29.0
6800.0	673D688F020JL1C	1.020 x 2.150 [25.9 x 54.6]	26.0	19.3	7.16	23.0
8200.0	673D828F020JP1C	1.020 x 2.650 [25.9 x 67.3]	20.7	15.5	8.72	19.0
10000.0	673D109F020JS1C	1.020 x 3.150 [25.9 x 80.0]	17.9	13.6	10.10	18.0
12000.0	673D129F020JT1C	1.020 x 3.650 [25.9 x 92.7]	15.8	12.0	11.40	16.0
25 WVDC @ + 105°C, SURGE = 35 V						
820.0	673D827F025GE1C	0.770 x 1.150 [19.6 x 29.2]	143.0	85.0	2.23	88.0
1500.0	673D158F025GJ1C	0.770 x 1.650 [19.6 x 41.9]	73.0	44.0	3.56	47.0
2200.0	673D228F025GL1C	0.770 x 2.150 [19.6 x 54.6]	49.0	30.5	4.82	33.0
3300.0	673D338F025GP1C	0.770 x 2.650 [19.6 x 67.3]	37.0	23.9	5.96	27.0
3900.0	673D398F025GS1C	0.770 x 3.150 [19.6 x 80.0]	31.0	20.0	7.00	23.0
4700.0	673D478F025GT1C	0.770 x 3.650 [19.6 x 92.7]	26.7	17.5	8.04	21.0
1200.0	673D128F025HE1C	0.895 x 1.150 [22.7 x 29.2]	101.0	62.9	2.86	66.0
2700.0	673D278F025HJ1C	0.895 x 1.650 [22.7 x 41.9]	50.0	32.0	4.61	35.0
3900.0	673D398F025HL1C	0.895 x 2.150 [22.7 x 54.6]	35.0	22.9	6.08	26.0
4700.0	673D478F025HP1C	0.895 x 2.650 [22.7 x 67.3]	27.0	18.0	7.47	21.0
6800.0	673D688F025HS1C	0.895 x 3.150 [22.7 x 80.0]	22.7	15.4	8.74	19.0
8200.0	673D828F025HT1C	0.895 x 3.650 [22.7 x 92.7]	19.6	13.6	9.93	17.0
1800.0	673D188F025JE1C	1.020 x 1.150 [25.9 x 29.2]	79.0	51.0	3.45	53.0

Types 673D and 674D

Vishay Sprague



STANDARD RATINGS [Numbers in brackets indicate millimeters]						
CAPACITANCE (μ F)	PART NUMBER	NOMINAL CASE SIZE D x L	Max. ESR @ + 25°C (m Ω)		Max. RIPPLE @ + 85°C (A) 20k - 40kHz	Max. IMPEDANCE @ 100kHz (m Ω)
			120Hz	20k - 40kHz		
25 WVDC @ + 105°C, SURGE = 35 V						
3900.0	673D398F025JJ1C	1.020 x 1.650 [25.9 x 41.9]	40.0	26.9	5.46	30.0
5600.0	673D568F025JL1C	1.020 x 2.150 [25.9 x 54.6]	28.0	19.0	7.14	22.0
6800.0	673D688F025JP1C	1.020 x 2.650 [25.9 x 67.3]	22.0	15.7	8.66	19.0
8200.0	673D828F025JS1C	1.020 x 3.150 [25.9 x 80.0]	18.7	13.5	10.10	17.0
10000.0	673D109F025JT1C	1.020 x 3.650 [25.9 x 92.7]	16.4	12.0	11.40	15.0
30 WVDC @ + 105°C, SURGE = 40 V						
820.0	673D827F030GE1C	0.770 x 1.150 [19.6 x 29.2]	156.0	86.0	2.16	89.0
1500.0	673D158F030GJ1C	0.770 x 1.650 [19.6 x 41.9]	80.0	47.0	3.45	50.0
2200.0	673D228F030GL1C	0.770 x 2.150 [19.6 x 54.6]	53.0	32.0	4.68	35.0
3300.0	673D338F030GP1C	0.770 x 2.650 [19.6 x 67.3]	40.0	25.0	5.81	28.0
3900.0	673D398F030GS1C	0.770 x 3.150 [19.6 x 80.0]	34.0	21.0	6.82	24.0
4700.0	673D478F030GT1C	0.770 x 3.650 [19.2 x 92.7]	28.8	18.4	7.84	22.0
1200.0	673D128F030HE1C	0.895 x 1.150 [22.7 x 29.2]	106.0	64.0	2.83	67.0
2700.0	673D278F030HJ1C	0.895 x 1.650 [22.7 x 41.9]	54.0	33.4	4.51	37.0
3900.0	673D398F030HL1C	0.895 x 2.150 [22.7 x 54.6]	37.0	23.7	5.97	27.0
4700.0	673D478F030HP1C	0.895 x 2.650 [22.7 x 67.3]	29.0	18.9	7.31	22.0
6800.0	673D688F030HS1C	0.895 x 3.150 [22.7 x 80.0]	24.0	16.0	8.57	19.0
8200.0	673D828F030HT1C	0.895 x 3.650 [22.7 x 92.7]	20.8	14.0	9.75	17.0
1800.0	673D188F030JE1C	1.020 x 1.150 [25.9 x 29.2]	85.0	53.0	3.39	56.0
3300.0	673D338F030JJ1C	1.020 x 1.650 [25.9 x 41.9]	43.7	28.0	5.33	31.0
4700.0	673D478F030JL1C	1.020 x 2.150 [25.9 x 54.6]	30.0	20.0	7.04	23.0
6800.0	673D688F030JP1C	1.020 x 2.650 [25.9 x 67.3]	23.7	16.2	8.53	20.0
8200.0	673D828F030JS1C	1.020 x 3.150 [25.9 x 80.0]	19.8	13.8	9.95	17.0
10000.0	673D109F030JT1C	1.020 x 3.650 [25.9 x 92.7]	17.3	12.2	11.30	15.0
40 WVDC @ + 105°C, SURGE = 55 V						
560.0	673D567F040GE1C	0.770 x 1.150 [19.6 x 29.2]	191.0	86.0	2.22	89.0
1000.0	673D108F040GJ1C	0.770 x 1.650 [19.6 x 41.9]	94.0	47.0	3.57	67.0
1500.0	673D158F040GL1C	0.770 x 2.150 [19.6 x 54.6]	64.0	32.0	4.80	30.0
1800.0	673D188F040GP1C	0.770 x 2.650 [19.6 x 67.3]	49.0	25.0	5.92	27.0
2200.0	673D228F040GS1C	0.770 x 3.150 [19.6 x 80.0]	40.0	21.0	7.00	30.0
2700.0	673D278F040GT1C	0.770 x 3.650 [19.6 x 92.7]	34.8	18.6	8.02	21.0
680.0	673D687F040HE1C	0.895 x 1.150 [22.7 x 29.2]	130.0	64.0	3.00	62.0
1500.0	673D158F040HJ1C	0.895 x 1.650 [22.7 x 41.9]	67.0	33.0	4.54	36.0
2200.0	673D228F040HL1C	0.895 x 2.150 [22.7 x 54.6]	45.0	23.0	6.05	26.0
3300.0	673D338F040HP1C	0.895 x 2.650 [22.7 x 67.3]	34.0	18.4	7.41	22.0
3900.0	673D398F040HS1C	0.895 x 3.150 [22.7 x 80.0]	29.0	16.8	8.63	19.0
4700.0	673D478F040HT1C	0.895 x 3.650 [22.7 x 92.7]	25.8	14.8	9.85	17.0
1000.0	673D108F040JE1C	1.020 x 1.150 [25.9 x 29.2]	105.0	53.0	3.41	55.0
2200.0	673D228F040JJ1C	1.020 x 1.650 [25.9 x 41.9]	51.7	28.0	5.42	30.0
2700.0	673D278F040JL1C	1.020 x 2.150 [25.9 x 54.6]	36.0	20.0	7.49	23.0
3900.0	673D398F040JP1C	1.020 x 2.650 [25.9 x 67.3]	28.7	16.0	8.90	19.0
4700.0	673D478F040JS1C	1.020 x 3.150 [25.9 x 80.0]	23.8	13.0	10.60	17.0
5600.0	673D568F040JT1C	1.020 x 3.650 [25.9 x 92.7]	20.3	12.0	11.40	16.0
50 WVDC @ + 105°C, SURGE = 75 V						
390.0	673D397F050GE1C	0.770 x 1.150 [19.6 x 29.2]	212.0	86.0	2.21	89.0
820.0	673D827F050GJ1C	0.770 x 1.650 [19.6 x 41.9]	50.0	44.0	3.57	47.0
1200.0	673D128F050GL1C	0.770 x 2.150 [19.6 x 54.6]	74.0	32.0	4.70	35.0
1500.0	673D158F050GP1C	0.770 x 2.650 [19.6 x 67.3]	56.0	25.0	5.83	28.0
1800.0	673D188F050GS1C	0.770 x 3.150 [19.6 x 80.0]	44.0	20.0	7.00	23.0
2200.0	673D228F050GT1C	0.770 x 3.650 [19.6 x 92.7]	37.7	17.7	8.00	21.0
560.0	673D567F050HE1C	0.895 x 1.150 [22.7 x 29.2]	145.0	59.0	2.87	62.0
1200.0*	673D128F050HJ1C	0.895 x 1.650 [22.7 x 41.9]	76.0	34.0	4.46	37.0
1800.0	673D188F050HL1C	0.895 x 2.150 [22.7 x 54.6]	50.0	23.3	6.02	26.0
2200.0	673D228F050HP1C	0.895 x 2.650 [22.7 x 67.3]	39.0	18.7	7.35	22.0
2700.0	673D278F050HS1C	0.895 x 3.150 [22.7 x 80.0]	31.4	15.7	8.65	19.0
3300.0	673D338F050HT1C	0.895 x 3.650 [22.7 x 92.7]	27.0	13.9	9.82	17.0
820.0	673D828F050JE1C	1.020 x 1.150 [25.9 x 29.2]	112.0	51.4	3.45	54.0

* These values are normally stocked.



STANDARD RATINGS [Numbers in brackets indicate millimeters]						
CAPACITANCE (μ F)	PART NUMBER	NOMINAL CASE SIZE D x L	Max. ESR @ + 25°C (m Ω)		Max. RIPPLE @ + 85°C (A) 20k - 40kHz	Max. IMPEDANCE @ 100kHz (m Ω)
			120Hz	20k - 40kHz		
50 WVDC @ + 105°C, SURGE = 75 V						
1500.0	673D158F050JJ1C	1.020 x 1.650 [25.9 x 41.9]	58.0	27.8	5.37	31.0
2200.0	673D228F050JL1C	1.020 x 2.150 [25.9 x 54.6]	39.0	19.7	7.09	23.0
3300.0	673D338F050JP1C	1.020 x 2.650 [25.9 x 67.3]	30.0	15.9	8.61	20.0
3900.0	673D398F050JS1C	1.020 x 3.150 [25.9 x 80.0]	25.0	13.6	10.10	18.0
4700.0	673D478F050JT1C	1.020 x 3.650 [25.9 x 92.7]	21.6	12.0	11.40	16.0
63 WVDC @ + 105°C, SURGE = 85 V						
330.0	673D337F063GE1C	0.770 x 1.150 [19.6 x 29.2]	236.0	89.0	2.13	93.0
680.0	673D687F063GJ1C	0.770 x 1.650 [19.6 x 41.9]	117.0	47.0	3.44	50.0
1000.0	673D108F063GL1C	0.770 x 2.150 [19.6 x 54.6]	79.0	33.3	4.61	36.0
1200.0	673D128F063GP1C	0.770 x 2.650 [19.6 x 67.3]	63.0	27.0	5.61	30.0
1800.0	673D188F063GS1C	0.770 x 3.150 [19.6 x 80.0]	49.9	22.0	6.71	25.0
2200.0	673D228F063GT1C	0.770 x 3.650 [19.6 x 92.7]	41.7	18.9	7.74	22.0
560.0	673D567F063HE1C	0.895 x 1.150 [22.7 x 29.2]	159.0	66.0	2.79	69.0
1000.0	673D108F063HJ1C	0.895 x 1.650 [22.7 x 41.9]	82.0	35.4	4.38	38.0
1500.0	673D158F063HL1C	0.895 x 2.150 [22.7 x 54.6]	54.0	24.5	5.87	28.0
2200.0	673D228F063HP1C	0.895 x 2.650 [22.7 x 67.3]	41.0	19.3	7.24	22.0
2700.0	673D278F063HS1C	0.895 x 3.150 [22.7 x 80.0]	34.6	16.6	8.42	20.0
3300.0	673D338F063HT1C	0.895 x 3.650 [22.7 x 92.7]	29.0	14.5	9.61	18.0
680.0	673D687F063JE1C	1.020 x 1.150 [25.9 x 29.2]	122.0	51.0	3.70	54.0
1500.0	673D158F063JJ1C	1.020 x 1.650 [25.9 x 41.9]	63.0	28.0	5.54	31.0
2200.0	673D228F063JL1C	1.020 x 2.150 [25.9 x 54.6]	42.0	20.6	6.93	24.0
2700.0	673D278F063JP1C	1.020 x 2.650 [25.9 x 67.3]	32.9	16.5	8.45	20.0
3900.0	673D398F063JS1C	1.020 x 3.150 [25.9 x 80.0]	27.0	14.0	9.85	18.0
4700.0*	673D478F063JT1C	1.020 x 3.650 [25.9 x 92.7]	23.3	12.4	11.20	16.0
75 WVDC @ + 105°C, SURGE = 100 V						
270.0	673D277F075GE1C	0.770 x 1.150 [19.6 x 29.2]	311.0	141.0	1.73	145.0
560.0	673D567F075GJ1C	0.770 x 1.650 [19.6 x 41.9]	150.0	70.0	2.84	73.0
820.0	673D827F075GL1C	0.770 x 2.150 [19.6 x 54.6]	101.0	48.0	3.84	51.0
1200.0	673D128F075GP1C	0.770 x 2.650 [19.6 x 67.3]	77.0	37.3	4.77	40.0
1500.0	673D158F075GS1C	0.770 x 3.150 [19.6 x 80.0]	63.0	30.7	5.68	34.0
1800.0	673D188F075GT1C	0.770 x 3.650 [19.6 x 92.7]	53.0	26.4	6.55	30.0
390.0	673D397F075HE1C	0.895 x 1.150 [22.7 x 29.2]	214.0	100.0	2.27	104.0
820.0	673D827F075HJ1C	0.895 x 1.650 [22.7 x 41.9]	104.0	50.0	3.67	53.0
1200.0	673D128F075HL1C	0.895 x 2.150 [22.7 x 54.6]	73.0	36.0	4.83	39.0
1800.0	673D188F075HP1C	0.895 x 2.650 [22.7 x 67.3]	54.0	27.5	6.06	31.0
2200.0	673D228F075HS1C	0.895 x 3.150 [22.7 x 80.0]	45.0	23.0	7.12	26.0
2700.0	673D278F075HT1C	0.895 x 3.650 [22.7 x 92.7]	37.0	19.8	8.23	23.0
560.0	673D567F075JE1C	1.020 x 1.150 [25.9 x 29.2]	159.0	78.0	2.81	81.0
1200.0	673D128F075JJ1C	1.020 x 1.650 [25.9 x 41.9]	82.0	41.4	4.40	44.0
1800.0	673D188F075JL1C	1.020 x 2.150 [25.9 x 54.6]	53.9	28.0	5.95	30.0
2200.0	673D228F075JP1C	1.020 x 2.650 [25.9 x 67.3]	41.8	22.2	7.29	25.0
2700.0	673D278F075JS1C	1.020 x 3.150 [25.9 x 80.0]	33.7	18.5	8.60	22.0
3300.0	673D338F075JT1C	1.020 x 3.650 [25.9 x 92.7]	29.0	16.2	9.80	19.0
100 WVDC @ + 105°C, SURGE = 125 V						
150.0	673D157F100GE1C	0.770 x 1.150 [19.6 x 29.2]	698.0	324.0	1.14	326.0
270.0	673D277F100GJ1C	0.770 x 1.650 [19.6 x 41.9]	329.0	154.0	1.92	156.0
390.0	673D397F100GL1C	0.770 x 2.150 [19.6 x 54.6]	221.0	104.0	2.60	106.0
560.0	673D567F100GP1C	0.770 x 2.650 [19.6 x 67.3]	164.0	78.0	3.39	80.0
680.0	673D687F100GS1C	0.770 x 3.150 [19.6 x 80.0]	131.0	63.0	3.96	65.0
820.0	673D827F100GT1C	0.770 x 3.650 [19.6 x 92.7]	110.0	53.0	4.60	54.0
220.0	673D227F100HE1C	0.895 x 1.150 [22.7 x 29.2]	452.0	212.0	1.55	215.0
390.0	673D397F100HJ1C	0.895 x 1.650 [22.7 x 41.9]	216.0	103.0	2.57	106.0
680.0	673D687F100HL1C	0.895 x 2.150 [22.7 x 54.6]	143.0	69.0	3.49	71.0
820.0	673D827F100HP1C	0.895 x 2.650 [22.7 x 67.3]	107.0	52.0	4.37	53.0
1000.0	673D108F100HS1C	0.895 x 3.150 [22.7 x 80.0]	89.0	44.0	5.15	45.0
1200.0	673D128F100HT1C	0.895 x 3.650 [22.7 x 92.7]	76.0	38.0	5.93	39.0
270.0	673D277F100JE1C	1.020 x 1.150 [25.9 x 29.2]	337.0	162.0	1.95	163.0
560.0	673D567F100JJ1C	1.020 x 1.650 [25.9 x 41.9]	163.0	79.0	3.17	81.0

* These values are normally stocked.

Types 673D and 674D

Vishay Sprague



STANDARD RATINGS [Numbers in brackets indicate millimeters]						
CAPACITANCE (μ F)	PART NUMBER	NOMINAL CASE SIZE D x L	Max. ESR @ + 25°C (m Ω)		Max. RIPPLE @ + 85°C (A) 20k - 40kHz	Max. IMPEDANCE @ 100kHz (m Ω)
			120Hz	20k - 40kHz		
100 WVDC @ + 105°C, SURGE = 125 V						
820.0	673D827F100JL1C	1.020 x 2.150 [25.9 x 54.6]	109.0	54.0	4.27	55.0
1200.0	673D128F100JP1C	1.020 x 2.650 [25.9 x 67.3]	83.0	42.0	5.28	43.0
1500.0	673D158F100JS1C	1.020 x 3.150 [25.9 x 80.0]	67.0	34.0	6.29	35.0
1800.0	673D188F100JT1C	1.020 x 3.650 [25.9 x 92.7]	57.0	29.5	7.26	31.0
150 WVDC @ + 105°C, SURGE = 200 V						
56.0	673D566F150GE1C	0.770 x 1.150 [19.6 x 29.2]	1733.0	881.0	0.694	895.0
100.0	673D107F150GJ1C	0.770 x 1.650 [19.6 x 41.9]	886.0	450.0	1.12	460.0
180.0	673D187F150GL1C	0.770 x 2.150 [19.6 x 54.6]	569.0	290.0	1.56	297.0
220.0	673D227F150GP1C	0.770 x 2.650 [19.6 x 67.3]	419.0	215.0	1.99	220.0
330.0	673D337F150GS1C	0.770 x 3.150 [19.6 x 80.0]	333.0	170.0	2.41	175.0
390.0	673D397F150GT1C	0.770 x 3.650 [19.6 x 92.7]	276.0	141.0	2.83	148.0
82.0	673D826F150HE1C	0.895 x 1.150 [22.7 x 29.2]	1152.0	588.0	0.936	592.0
180.0	673D187F150HL1C	0.895 x 1.650 [22.7 x 41.9]	579.0	296.0	1.51	300.0
270.0	673D277F150HL1C	0.895 x 2.150 [22.7 x 54.6]	376.0	193.0	2.09	198.0
390.0	673D397F150HP1C	0.895 x 2.650 [22.7 x 67.3]	279.0	143.0	2.66	148.0
470.0	673D477F150HT1C	0.895 x 3.150 [22.7 x 80.0]	222.0	115.0	3.19	120.0
560.0	673D567F150HT1C	0.895 x 3.650 [22.7 x 92.7]	185.0	96.0	3.74	100.0

ORIGINAL RATINGS						
CAPACITANCE (μ F)	PART NUMBER*	CASE CODE	Max. ESR @ + 25°C (m Ω)		Max. RIPPLE @ + 85°C (A) 20kHz - 100kHz	Max. IMPEDANCE @ + 25°C (m Ω) 100kHz
			120Hz	20kHz		
6.3 WVDC @ + 105°C, SURGE = 9 V						
1500.0	673D158H6R3GE5C	GE	98.0	69.0	2.48	70.0
2200.0	673D228H6R3HE5C	HE	71.0	51.0	3.18	52.0
2700.0	673D278H6R3JE5C	JE	62.0	47.0	3.60	49.0
3900.0	673D398H6R3HJ5C	HJ	41.0	30.0	4.76	31.0
5600.0	673D568H6R3JJ5C	JJ	33.0	25.0	5.66	27.0
6800.0	673D688H6R3GS5C	GS	23.0	18.0	7.40	19.0
8200.0	673D828H6R3JL5C	JL	23.0	18.0	7.41	20.0
10000.0	673D109H6R3HS5C	HS	19.0	15.0	8.85	17.0
12000.0	673D129H6R3JP5C	JP	19.0	15.0	8.86	17.0
15000.0	673D159H6R3JS5C	JS	15.0	13.0	10.20	14.0
18000.0	673D189H6R3JT5C	JT	14.0	12.0	11.40	13.0
7.5 WVDC @ + 105°C, SURGE = 10 V						
1200.0	673D128H7R5GE5C	GE	115.0	76.0	2.36	78.0
1800.0	673D188H7R5HE5C	HE	80.0	55.0	3.06	56.0
2700.0	673D278H7R5JE5C	JE	62.0	45.0	3.68	46.0
3900.0	673D398H7R5HJ5C	HJ	39.0	28.0	4.92	29.0
4700.0	673D478H7R5JJ5C	JJ	35.0	25.0	5.66	26.0
5600.0	673D568H7R5HL5C	HL	28.0	20.0	6.50	22.0
6800.0	673D688H7R5HP5C	HP	23.0	17.0	7.70	19.0
8200.0	673D828H7R5JL5C	JL	23.0	18.0	7.41	19.0
10000.0	673D109H7R5JP5C	JP	19.0	15.0	8.86	16.0
12000.0	673D129H7R5JS5C	JS	17.0	13.0	10.20	14.0
15000.0	673D159H7R5JT5C	JT	14.0	12.0	11.40	13.0
10 WVDC @ + 105°C, SURGE = 14 V						
1000.0	673D108H010GE5C	GE	123.0	76.0	2.36	77.0
1500.0	673D158H010HE5C	HE	89.0	56.0	3.03	58.0
2200.0	673D228H010JE5C	JE	67.0	45.0	3.68	47.0
3300.0	673D338H010HJ5C	HJ	43.0	29.0	4.84	30.0
3900.0	673D398H010GP5C	GP	31.0	20.0	6.51	23.0
4700.0	673D478H010JJ5C	JJ	35.0	24.0	5.78	26.0

* For applications requiring single ended, 3 lead capacitors, change the Part Number 673D to Part Number 674D. Type 674D is only available in terminal style 'A'.



ORIGINAL RATINGS						
CAPACITANCE (μ F)	PART NUMBER*	CASE CODE	Max. ESR @ + 25°C (m Ω)		Max. RIPPLE @ + 85°C (A) 20k - 100kHz	Max. IMPEDANCE @ + 25°C (m Ω) 100kHz
			120Hz	20kHz		
10 WVDC @ + 105°C, SURGE = 14 V						
5600.0	673D568H010HP5C	HP	22.0	15.0	8.20	18.0
6800.0	673D688H010JL5C	JL	23.0	16.0	7.86	19.0
8200.0	673D828H010JP5C	JP	19.0	14.0	9.17	17.0
10000.0	673D109H010JS5C	JS	16.0	12.0	10.60	15.0
12000.0	673D129H010JT5C	JT	14.0	11.0	11.90	14.0
12 WVDC @ + 105°C, SURGE = 16 V						
1000.0	673D108H012GE5C	GE	126.0	76.0	2.36	79.0
1500.0**	673D158H012HE5C	HE	88.0	55.0	3.06	58.0
2200.0	673D228H012JE5C	JE	68.0	43.0	3.77	45.0
2700.0	673D278H012GL5C	GL	41.0	25.0	5.31	27.0
3300.0	673D338H012HJ5C	HJ	45.0	29.0	4.84	31.0
3900.0	673D398H012JJ5C	JJ	38.0	25.0	5.66	28.0
4700.0	673D478H012HL5C	HL	30.0	19.0	6.67	21.0
5600.0	673D568H012JL5C	JL	24.0	17.0	7.62	21.0
6800.0	673D688H012HS5C	HS	19.0	13.0	9.51	17.0
8200.0	673D828H012JP5C	JP	19.0	14.0	9.17	18.0
10000.0	673D109H012JS5C	JS	16.0	12.0	10.60	16.0
12000.0	673D129H012JT5C	JT	14.0	10.0	12.40	14.0
15 WVDC @ + 105°C, SURGE = 20 V						
820.0	673D827H015GE5C	GE	142.0	78.0	2.33	80.0
1500.0	673D158H015HE5C	HE	86.0	51.0	3.18	53.0
1800.0	673D188H015JE5C	JE	74.0	46.0	3.64	48.0
2700.0	673D278H015HJ5C	HJ	47.0	28.0	4.92	30.0
3300.0	673D338H015GP5C	GP	34.0	20.0	6.51	23.0
3900.0	673D398H015JJ5C	JJ	37.0	24.0	5.78	27.0
5600.0	673D568H015JL5C	JL	25.0	17.0	7.62	20.0
6800.0	673D688H015JP5C	JP	20.0	13.0	9.51	17.0
8200.0	673D828H015JS5C	JS	17.0	12.0	10.60	16.0
12000.0	673D129H015JT5C	JT	15.0	10.0	12.40	14.0
20 WVDC @ + 105°C, SURGE = 30 V						
680.0	673D687H020GE5C	GE	131.0	72.0	2.42	75.0
1000.0	673D108H020HE5C	HE	86.0	50.0	3.21	54.0
1500.0	673D158H020JE5C	JE	71.0	43.0	3.68	45.0
2200.0**	673D228H020HJ5C	HJ	44.0	26.0	5.11	28.0
2700.0	673D278H020JJ5C	JJ	37.0	23.0	5.90	25.0
3300.0	673D338H020HL5C	HL	30.0	19.0	6.67	21.0
3900.0	673D398H020GT5C	GT	24.0	15.0	8.69	18.0
4700.0	673D478H020JL5C	JL	26.0	17.0	7.62	20.0
5600.0	673D568H020JP5C	JP	20.0	14.0	9.17	17.0
6800.0	673D688H020JS5C	JS	17.0	12.0	10.60	16.0
8200.0	673D828H020JT5C	JT	15.0	10.0	12.40	14.0
25 WVDC @ + 105°C, SURGE = 35 V						
560.0**	673D567H025GE5C	GE	144.0	67.0	2.51	70.0
820.0	673D827H025HE5C	HE	103.0	51.0	3.18	55.0
1200.0	673D128H025JE5C	JE	80.0	42.0	3.81	44.0
1500.0	673D158H025GL5C	GL	49.0	24.0	5.42	26.0
1800.0	673D188H025HJ5C	HJ	52.0	27.0	5.01	30.0
2200.0	673D228H025JJ5C	JJ	41.0	23.0	5.90	25.0
2700.0	673D278H025GS5C	GS	31.0	16.0	7.85	19.0
3300.0	673D338H025JL5C	JL	28.0	16.0	7.86	19.0
3900.0	673D398H025HS5C	HS	23.0	13.0	9.51	16.0
4700.0	673D478H025JP5C	JP	22.0	13.0	9.51	16.0
5600.0	673D568H025JS5C	JS	19.0	11.0	11.10	14.0
6800.0	673D688H025JT5C	JT	16.0	10.0	12.40	13.0

* For applications requiring single ended, 3 lead capacitors, change the Part Number 673D to Part Number 674D. Type 674D is only available in terminal style 'A'.

** These values are normally stocked.

Types 673D and 674D

Vishay Sprague



ORIGINAL RATINGS						
CAPACITANCE (μ F)	PART NUMBER*	CASE CODE	Max. ESR @ + 25°C (m Ω)		Max. RIPPLE @ + 85°C (A) 20k - 100kHz	Max. IMPEDANCE @ + 25°C (m Ω) 100kHz
			120Hz	20kHz		
40 WVDC @ + 105°C, SURGE = 55 V						
330.0**	673D337H040GE5C	GE	199.0	69.0	2.48	71.0
560.0**	673D567H040HE5C	HE	135.0	50.0	3.21	54.0
680.0**	673D687H040JE5C	JE	110.0	44.0	3.72	47.0
1000.0**	673D108H040HJ5C	HJ	67.0	27.0	5.01	30.0
1200.0	673D128H040GP5C	GP	51.0	20.0	6.51	22.0
1500.0**	673D158H040JJ5C	JJ	55.0	23.0	5.90	26.0
1800.0	673D188H040GS5C	GS	41.0	16.0	7.85	19.0
2200.0	673D228H040JL5C	JL	38.0	17.0	7.62	19.0
2700.0	673D278H040JP5C	JP	29.0	14.0	9.17	17.0
3300.0	673D338H040JS5C	JS	24.0	12.0	10.60	15.0
3900.0	673D398H040JT5C	JT	21.0	10.0	12.40	13.0
50 WVDC @ + 105°C, SURGE = 75 V						
270.0	673D277H050GE5C	GE	249.0	70.0	2.46	72.0
390.0**	673D397H050HE5C	HE	170.0	52.0	3.15	54.0
470.0	673D477H050GJ5C	GJ	122.0	36.0	3.96	38.0
560.0	673D567H050JE5C	JE	129.0	43.0	3.77	45.0
820.0**	673D827H050HJ5C	HJ	85.0	27.0	5.01	30.0
1000.0	673D108H050JJ5C	JJ	65.0	23.0	5.90	25.0
1200.0	673D128H050HL5C	HL	57.0	19.0	6.67	21.0
1500.0	673D158H050JL5C	JL	44.0	17.0	7.62	20.0
1800.0	673D188H050HS5C	HS	36.0	13.0	9.51	16.0
2200.0	673D228H050JP5C	JP	34.0	14.0	9.17	17.0
2700.0	673D278H050JS5C	JS	28.0	12.0	10.60	15.0
3300.0	673D338H050JT5C	JT	24.0	10.0	12.40	13.0
60 WVDC @ + 105°C, SURGE = 85 V						
180.0	673D187H060GE5C	GE	341.0	73.0	2.41	75.0
270.0**	673D277H060HE5C	HE	215.0	51.0	3.18	54.0
330.0**	673D337H060GJ5C	GJ	167.0	38.0	3.85	40.0
390.0	673D397H060JE5C	JE	164.0	43.0	3.77	45.0
560.0	673D567H060HJ5C	HJ	106.0	27.0	5.01	29.0
680.0	673D687H060GP5C	GP	84.0	21.0	6.35	23.0
820.0	673D827H060JJ5C	JJ	82.0	23.0	5.90	26.0
1000.0	673D108H060GT5C	GT	57.0	15.0	8.69	18.0
1200.0**	673D128H060JL5C	JL	55.0	17.0	7.62	20.0
1500.0	673D158H060JP5C	JP	42.0	13.0	9.51	17.0
1800.0	673D188H060JS5C	JS	35.0	12.0	10.60	16.0
2200.0	673D228H060JT5C	JT	30.0	10.0	12.40	14.0
75 WVDC @ + 105°C, SURGE = 100 V						
120.0	673D127H075GE5C	GE	600.0	169.0	1.58	170.0
180.0	673D187H075HE5C	HE	399.0	116.0	2.10	117.0
220.0**	673D227H075JE5C	JE	300.0	92.0	2.57	93.0
330.0	673D337H075HJ5C	HJ	196.0	59.0	3.39	60.0
470.0	673D477H075JJ5C	JJ	145.0	46.0	4.17	47.0
560.0**	673D567H075HL5C	HL	131.0	40.0	4.59	41.0
680.0**	673D687H075JL5C	JL	98.0	32.0	4.02	31.0
820.0	673D827H075HS5C	HS	80.0	26.0	6.72	28.0
1000.0**	673D108H075JP5C	JP	73.0	24.0	7.00	26.0
1200.0	673D128H075JS5C	JS	59.0	20.0	8.27	22.0
1500.0	673D158H075JT5C	JT	50.0	18.0	9.30	20.0
100 WVDC @ + 105°C, SURGE = 125 V						
68.0**	673D686H100GE5C	GE	992.0	292.0	1.20	295.0
120.0**	673D127H100HE5C	HE	602.0	182.0	1.68	185.0
150.0**	673D157H100JE5C	JE	490.0	150.0	2.01	155.0
220.0	673D227H100HJ5C	HJ	294.0	90.0	2.74	91.0
270.0	673D277H100GP5C	GP	240.0	73.0	3.40	74.0

* For applications requiring single ended, 3 lead capacitors, change the Part Number 673D to Part Number 674D. Type 674D is only available in terminal style 'A'.

** These values are normally stocked.



ORIGINAL RATINGS						
CAPACITANCE (μ F)	PART NUMBER*	CASE CODE	Max. ESR @ + 25°C (m Ω)		Max. RIPPLE @ + 85°C (A) 20kHz - 100kHz	Max. IMPEDANCE @ + 25°C (m Ω) 100kHz
			120Hz	20kHz		
100 WVDC @ + 105°C, SURGE = 125 V						
330.0**	673D337H100JJ5C	JJ	239.0	75.0	3.27	76.0
390.0	673D397H100GT5C	GT	161.0	50.0	4.76	51.0
470.0	673D477H100JL5C	JL	159.0	51.0	4.40	52.0
560.0	673D567H100JP5C	JP	120.0	39.0	5.49	40.0
680.0	673D687H100JS5C	JS	96.0	32.0	6.53	33.0
820.0	673D827H100JT5C	JT	81.0	28.0	7.46	29.0
150 WVDC @ + 105°C, SURGE = 200 V						
56.0**	673D566H150GE5C	GE	1733.0	881.0	.694	895.0
82.0	673D826H150HE5C	HE	1152.0	588.0	.936	592.0
100.0	673D107H150GJ5C	GJ	886.0	450.0	1.12	460.0
150.0	673D157H150GL5C	GL	569.0	290.0	1.56	297.0
220.0	673D227H150HL5C	HL	376.0	193.0	2.09	198.0
330.0	673D337H150JL5C	JL	275.0	142.0	2.64	148.0
470.0	673D477H150JP5C	JP	202.0	105.0	3.35	108.0
470.0	673D477H150HT5C	HT	185.0	96.0	3.74	100.0
560.0	673D567H150JS5C	JS	163.0	84.0	4.03	88.0
680.0	673D687H150JT5C	JT	137.0	71.0	4.69	74.0
200 WVDC @ + 105°C, SURGE = 250 V						
33.0	673D336H200GE5C	GE	2290.0	1000.0	.651	1040.0
56.0	673D566H200HE5C	HE	1510.0	670.0	.878	680.0
82.0	673D826H200JE5C	JE	1090.0	486.0	1.13	492.0
150.0	673D157H200JJ5C	JJ	538.0	240.0	1.83	246.0
220.0	673D227H200JL5C	JL	356.0	160.0	2.49	168.0
330.0**	673D337H200HT5C	HT	242.0	108.0	3.53	112.0
390.0	673D397H200JS5C	JS	214.0	97.0	3.76	101.0
470.0	673D477H200JT5C	JT	179.0	80.0	4.42	84.0
250 WVDC @ + 105°C, SURGE = 300 V						
22.0	673D226H250GE5C	GE	2980.0	780.0	.738	790.0
47.0	673D476H250GJ5C	GJ	1310.0	370.0	1.24	380.0
100.0	673D107H250GP5C	GP	740.0	195.0	2.09	200.0
150.0	673D157H250HP5C	HP	467.0	125.0	2.84	130.0
220.0	673D227H250JP5C	JP	343.0	94.0	3.54	98.0
270.0**	673D277H250JS5C	JS	270.0	75.0	4.27	79.0
330.0	673D337H250JT5C	JT	222.0	61.0	5.05	65.0

* For applications requiring single ended, 3 lead capacitors, change the Part Number 673D to Part Number 674D. Type 674D is only available in terminal style 'A'.

** These values are normally stocked.

