



## AMPSS Micro Regulators 1 to 45 Watts • AMR Series

The AMR DC/DC Converter series is part of Astec's family of advanced modular power supply components. Featuring high reliability and convenient control functions, these modules are designed to reduce product development time and enhance system performance. The AMR Series range from 1 to 45 watts and are available in industry standard size footprints with single, dual or triple outputs in a compact package. The units are ideally suited for telecommunications, industrial, computer and distributed power system applications.

### SPECIAL FEATURES

- High efficiency
- Industry standard packaging
- 100% computerized final testing
- Overvoltage protection
- Six sided shielding
- Surface mount technology
- Single, dual and triple outputs
- Regulated outputs

### ENVIRONMENTAL

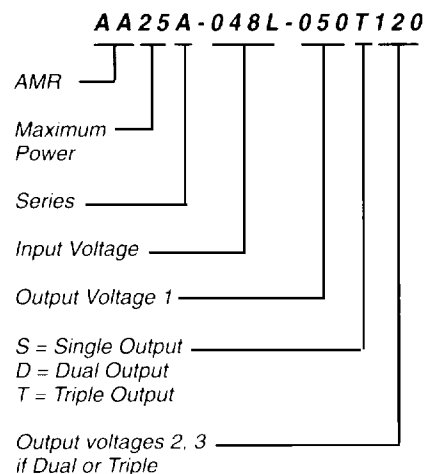
Operating Temperature: -20° to 71°C (no derating)

Storage Temperature: -25° to 105°C

### SAFETY

**UL** UL1950  
**CSA** CSA22.2-234M90  
**EN** 60950

### MODEL SELECTION



### SERIES OVERVIEW

The AMR Series runs from 1 to 45 watts and features single, dual and triple output models. Incorporating the latest MOSFET design and state-of-the-art surface mount technology, the AMRs features include wide input voltage range (4:1) and efficiencies of 80% or greater. All models feature a TTL compatible Enable control and models rated at 10W and over allow output voltage adjustment from 90% to 110% of the nominal value.

The AMR A and B series features include wide input voltage range, continuous short circuit protection with auto restart, 500VDC input/output isolation and TTL and CMOS logic compatibility. The B series offers a different size of industry standard footprint to that of the A series.

The AMR C series are low profile, high performance, high power density modules; ideal for 0.75 inch card spacing. Adjustable outputs, overcurrent protection and high efficiency (80% typical) are just some of the C series features. Others include an MTBF in excess of 1,000,000 hours, isolated outputs (1500VDC) and remote inhibit.

The D and E series are 5V to 3.3V high efficiency, low cost DC/DC converters designed to power the latest microprocessors and 3.3V logic. These series use advanced circuit design and packaging technology to realize superior reliability and performance.

## ORDERING INFORMATION

Model Series	Max Power	Input Range	Output 1	Output 2	Output 3	Dimensions (HxWxL) (inches)	Dimensions (HxWxL) (mm)	Doc. No.
AA01A	1 W	10.8 - 14.0V	5V @ 0.2A 12V @ 0.05A	-- -12V @ 0.05A	--	0.45x0.5x1.0	11.4x12.7x25.4	1330
AA03A	3W	4.5-5.25 VDC or 9-36 VDC or 20-72 VDC	5V @ 0.6A 12V @ 0.25A 15V @ 0.2A 12V @ 0.125A 15V @ 0.1A	-- -- -- -12V @ 0.125A -15V @ 0.1A	-- -- --	0.4x1.0x2.0	10.2x25.4x51.0	1331
AA05A	5W	4.5-5.25 VDC or 9-36 VDC or 20-72 VDC	5V @ 1A 12V @ 0.42A 15V @ 0.33A 12V @ 0.21A 15V @ 0.16A	-- -- -- -12V @ 0.21A -15V @ 0.16A	-- -- --	0.4x1.0x2.0	10.2x25.4x51.0	1332
AA10A	10W	9-36 VDC or 20-72 VDC	5V @ 2A 12V @ 0.83A 15V @ 0.67A 12V @ 0.42A 15V @ 0.33A 5V @ 1A 5V @ 1A	-- -- -- -12V @ 0.42A -15V @ 0.33A 12V @ 0.21A 15V @ 0.17A	-- -- --	0.4x2.0x2.0	10.2x51.0x51.0	1333
AA15A	15W	9-36 VDC or 20-72 VDC	5V @ 3A 12V @ 1.25A 15V @ 1A 12V @ 0.625A 15V @ 0.5A 5V @ 1.5A 5V @ 1.5A	-- -- -- -12V @ 0.625A -15V @ 0.5A 12V @ 0.31A 15V @ 0.25A	-- -- --	0.4x2.0x2.0	10.2x51.0x51.0	1334
AA15B	15W	20-72 VDC	5V @ 3A 12V @ 1.25A 15V @ 1A 12V @ 0.625A 15V @ 0.5A	-- -- -- -12V @ 0.625A -15V @ 0.5A	-- --	0.4x1.6x2.0	10.2x40.6x51.0	1334
AA20A	20W	9-36 VDC or 20-72 VDC	5V @ 4A 12V @ 1.65A 15V @ 1.3A -- -- 5V @ 2A 5V @ 2A	-- -- -- 12V @ 0.83A 15V @ 0.65A 12V @ 0.4A 15V @ 0.3A	-- -- -- -12V @ 0.83A -15V @ 0.65A -12V @ 0.4A -15V @ 0.3A	0.4x2.0x2.0	10.2x51.0x51.0	1335
AA25A	25W	19-35 VDC or 36-75 VDC	5V @ 5A 5V @ 5A	12V @ 1A 15V @ 0.8A	-12V @ 1A -15V @ 0.8A	0.426x3.0x3.0	10.8x76.0x76.0	1336
AA25B	25W	9-36 VDC or 20-72 VDC	5V @ 5A 12V @ 2A 15V @ 1.6A -- -- 5V @ 3.5A 5V @ 3.5A	-- -- -- 12V @ 1A 15V @ 0.8A 12V @ 0.75A 15V @ 0.5A	-- -- -- -12V @ 1A -15V @ 0.8A -12V @ 0.75A -15V @ 0.5A	0.83x2.5x3.0	21.0x63.5x76.2	1337
AA25C	25W	36-75 VDC	5V @ 5A 5V @ 5A	12V @ 1A 15V @ 0.8A	-12V @ 1A -15V @ 0.8A	0.5x3.0x3.0	12.7x76.0x76.0	1800
AA25D	25W	4.7-7 VDC	3.3V @ 8A			0.5x2.0x2.0	12.7x51.0x51.0	1801
AA25E	25W	4.7-7 VDC	3.3V @ 8A			0.5x2.0x1.0	12.7x51.0x25.4	1802
AA30A	30W	19-35 VDC 36-75 VDC	15V @ 2A 12V @ 2.5A	-- -12V @ 2A	--	0.426x3.0x3.0	10.8x76.0x76.0	1338
AA30C	30W	36-75 VDC	12V @ 2.5A 15V @ 2A 12V @ 2.5A	-- -- -12V @ 2A	--	0.5x3.0x3.0	12.7x76.0x76.0	1803
AA40A	40W	19-35 VDC 36-75 VDC	5V @ 8A	--	--	0.426x3.0x3.0	10.8x76.0x76.0	1339
AA40C	40W	36-75 VDC	5V @ 8A 5V @ 4A	-- -5V @ 4A	--	0.5x3.0x3.0	12.7x76.0x76.0	1804
AA45C	45W	36-75 VDC	15V @ 1.5A	-15V @ 1.5A	--	0.5x3.0x3.0	12.7x76.0x76.0	1805

DC/DC

Please refer to the AMPSS® Catalog  
for more complete information.



**PowerFAX**  
619-930-0881