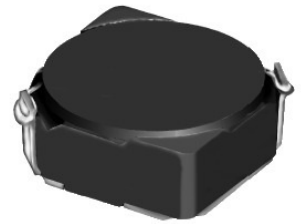
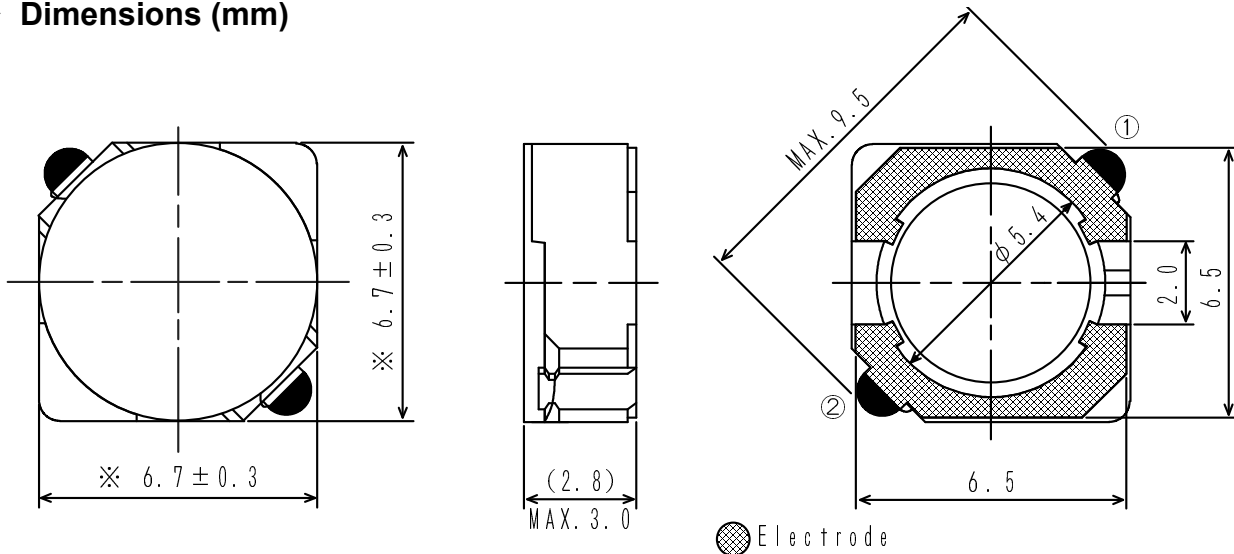
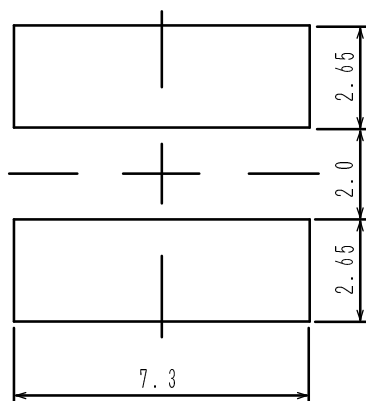


Type: CDRH6D28/E
◆ Product Description

- 7.0×7.0mm Max.(L×W) , 3.0mm Max. height.
- Inductance range: 2.7~100 μ H.
- Rated current range: 0.60~3.75A.
- Custom design is available.


◆ Feature

- Magnetically shielded construction.
- Storage temperature range: -40°C~+100°C.
- Operating temperature range: -40°C~+100°C (Including coil's self temperature rise).
- Ideally used in MP3, PDA ,HDD,DSC/DVC, Notebook PC etc as DC-DC converter inductors.
- RoHS compliance and Halogen Free.

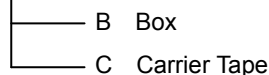
◆ Dimensions (mm)

◆ Land Pattern (mm)


Type: CDRH6D28/E
◆ Specification

Part Name ※	Stamp	Inductance (μ H) 100kHz/1V	D.C.R.($m\Omega$) Max.(Typ.) (at 20°C)	Saturation Current (A) ※1		Temperature Rise Current (A) ※2
				at 20°C	at 100°C	
CDRH6D28EHF-2R7N□	2R7	2.7±30%	24(18)	3.75	3.20	4.00
CDRH6D28EHF-3R3N□	3R3	3.3±30%	27(20)	3.35	3.00	3.70
CDRH6D28EHF-4R7N□	4R7	4.7±30%	31(23)	2.80	2.45	3.20
CDRH6D28EHF-5R6N□	5R6	5.6±30%	35(26)	2.50	2.25	2.90
CDRH6D28EHF-6R8N□	6R8	6.8±30%	54(40)	2.30	2.10	2.55
CDRH6D28EHF-8R2N□	8R2	8.2±30%	58(43)	2.20	2.00	2.40
CDRH6D28EHF-100N□	100	10±30%	65(48)	1.90	1.70	2.25
CDRH6D28EHF-120N□	120	12±30%	70(52)	1.80	1.55	2.00
CDRH6D28EHF-150N□	150	15±30%	84(62)	1.60	1.40	1.75
CDRH6D28EHF-180N□	180	18±30%	108(80)	1.40	1.25	1.55
CDRH6D28EHF-220N□	220	22±30%	128(95)	1.25	1.15	1.45
CDRH6D28EHF-270N□	270	27±30%	142(105)	1.15	1.06	1.30
CDRH6D28EHF-330N□	330	33±30%	187(138)	1.00	0.92	1.15
CDRH6D28EHF-390N□	390	39±30%	210(156)	0.96	0.86	1.10
CDRH6D28EHF-470N□	470	47±30%	238(176)	0.92	0.80	1.00
CDRH6D28EHF-560N□	560	56±30%	277(205)	0.85	0.75	0.95
CDRH6D28EHF-680N□	680	68±30%	348(258)	0.80	0.70	0.85
CDRH6D28EHF-820N□	820	82±30%	390(290)	0.72	0.63	0.72
CDRH6D28EHF-101N□	101	100±30%	535(397)	0.60	0.54	0.60

※ Description of part name

CDRH6D28EHF-2R7N□



※1.Saturation current: The DC current at which the inductance decreases to 65% of its nominal value.

 ※2.Temperature rise current: The DC current at which the temperature rise is $\Delta t=40^{\circ}\text{C}$.($T_a=20^{\circ}\text{C}$)