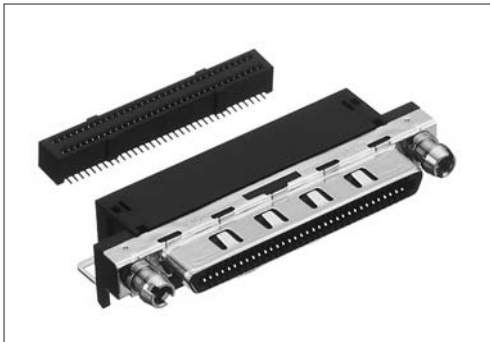


Right-angle SMT type female connector for PCBs
 HDRA-ED68LFZGT()-()

For PCBs

Right-angle SMT

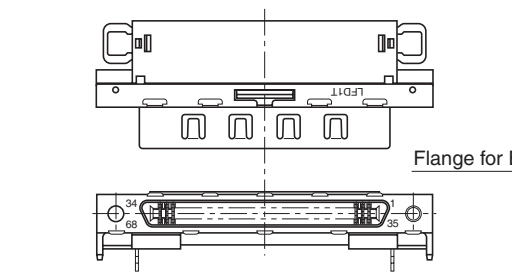
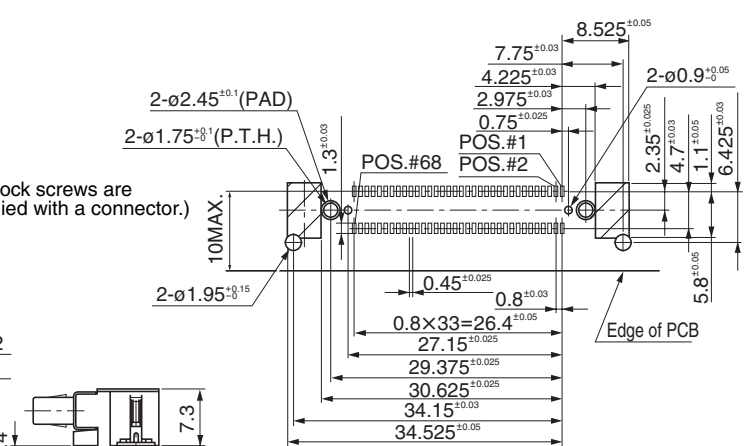
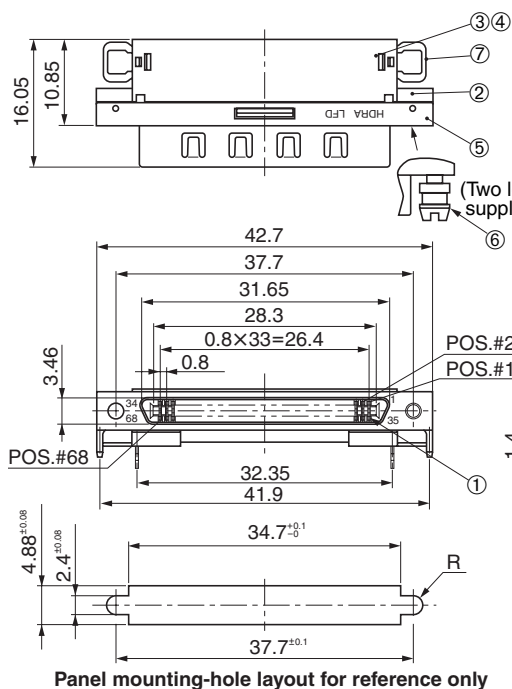
ANSI/SFF8441



● Configuration of product Part No.

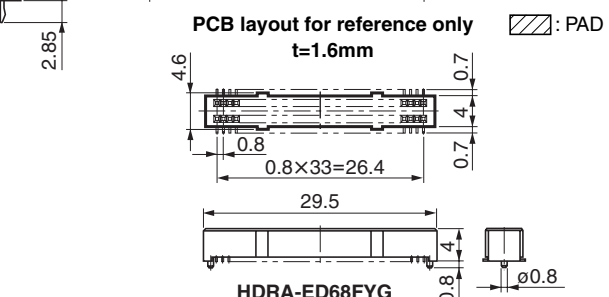
HDRA- ED 68 LFZ GT () - ()

- | | |
|------------------------------------|-------------------------------|
| ① Series name | ⑥ Form of shell |
| ② No. of contacts: 68 | Blank : Standard shell |
| ③ Type of contact | A : Shell with flange for EMI |
| ④ Contact plating | ⑦ Lock screws |
| 0.76 μm Gold plate | L: Provided |
| ⑤ Ground lock pins with hold downs | |



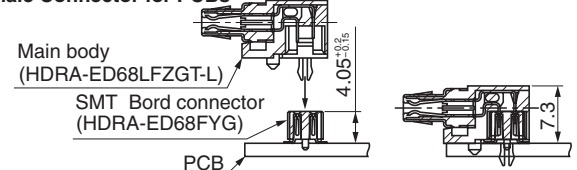
● Components

① Contacts	⑤ Shell
② Insulator A	⑥ Lock screws
③ Insulator B	⑦ Hold downs
④ Insulator C	



Taping packages are available for automatically mounting board connectors on a PCB. The product part number of the taping package is HDRA-ED68FYG-TP1. One reel provides 1000 board connectors. The reel diameter is 380 mm. The tape width is 56 mm.

Mounting Method of Right-angle SMT type Female Connector for PCBs



After board connectors are mounted on a PCB, mate them with the main body, and solder hold downs and ground lock pins.

Mating connector: HDRA series IDC type male cable connector, or straddle SMT type male connector on the PCB