

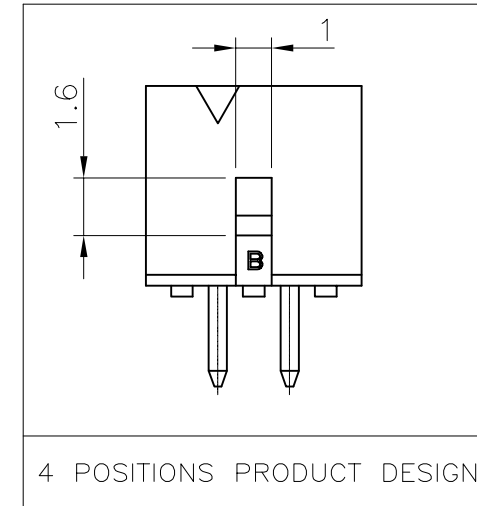
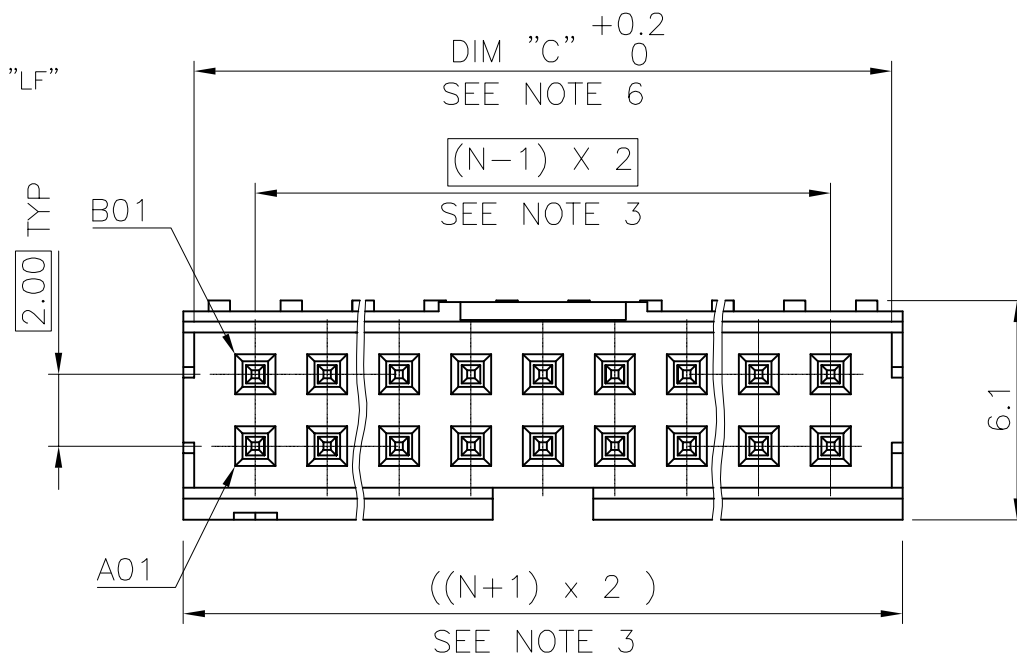
PRODUCT NUMBER  
98414-XXX-XX-XXXLF

PLATING  
S = 0.38µm GOLD ON CONTACT AREA  
3.81µm TIN LEAD ON TAIL  
G = 0.76µm GOLD ON CONTACT AREA  
3.81µm TIN LEAD ON TAIL  
F = GOLD FASH ON CONTACT AREA  
3.81µm TIN LEAD ON TAIL

WHEN REQUIRED, ADD SUFFIX LETTER "LF" INDICATES THE PRODUCT IS RoHS COMPATIBLE, SEE NOTE 8

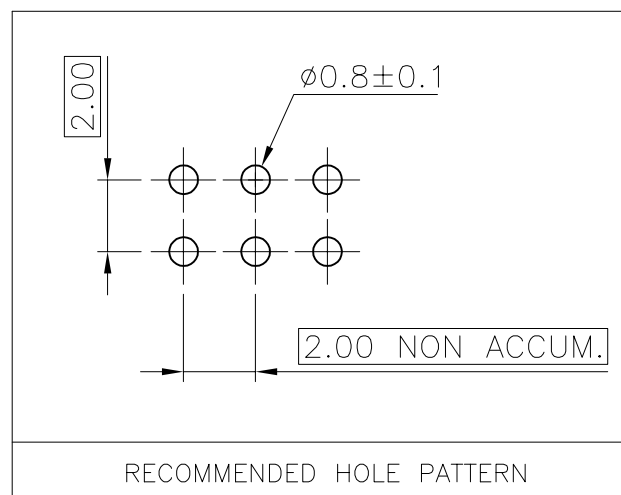
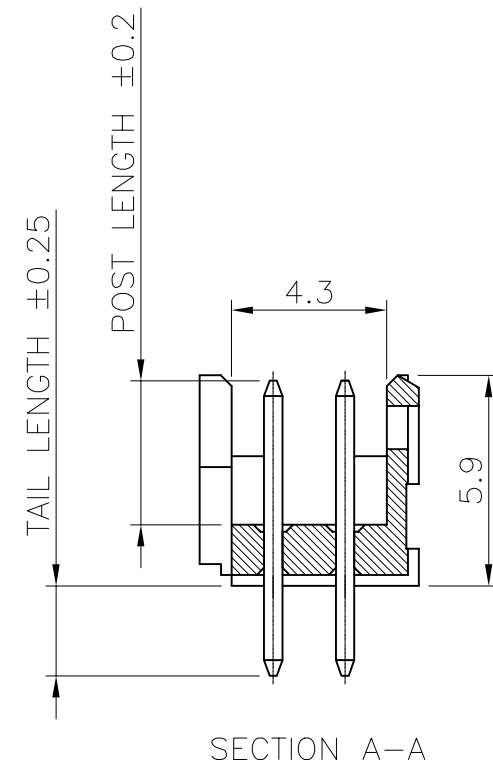
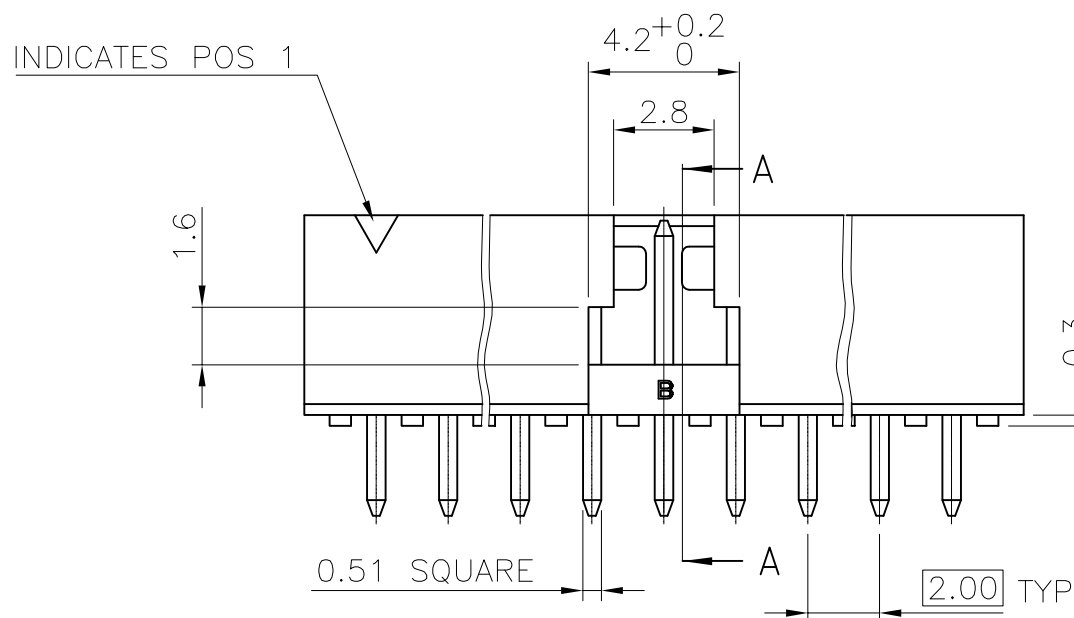
POLARIZATION, SEE NOTE 7  
PACKAGING, SEE NOTE 5  
TOTAL NB OF POSITIONS, 04 TO 50 POS

PIN STYLE	POST LENGTH	TAIL LENGTH
06	4.00	2.50
08	4.00	3.10



NOTES:

- MATERIAL HOUSING: HIGH TEMP. THERMOPLASTIC UL 94V-0, COLOR CREAM
- MATERIAL TERMINAL: COPPER ALLOY
- TO DETERMINE DIMENSIONS: N = NUMBER OF POSITIONS PER ROW
- 7N MIN. PIN RETENTION IN EITHER DIRECTION.
- PACKAGING:
  - = PLASTIC BOX
  - = PLASTIC BOX WHEN POLARISATION FEATURE APPLICABLE
  - U = TUBE AVAILABLE FROM 06 TO 50 POS
- DIM "C" = (N x 2) + 1.4  
EXAMPLE: N = 7  
DIM "C" = (7 x 2) + 1.4 = 15.4 mm
- FOR POLARIZATION, SPECIFIED PIN  
EXAMPLE : A03 = ROW A, POSITION 03 TO OMIT PIN  
OMIT FROM PRODUCT NUMBER IF THIS FEATURE IS NOT APPLICABLE.
- RoHS COMPATIBLE PRODUCT SPECIFICATIONS
  - PLATING:
    - "LF" MEANS THE PRODUCT IS LEAD-FREE, 2µm MINIMUM MATTE TIN OVER 1.27µm MINIMUM NICKEL UNDERPLATE.
  - MANUFACTURING PROCESS COMPATIBILITY
    - THE HOUSING WILL WITHSTAND EXPOSURE TO 260°C ±5°C SOLDER BATH TEMPERATURE FOR 5 SECONDS IN A WAVE SOLDER APPLICATION WITH A 1.6mm MIN THICK CIRCUIT BOARD.
  - LABELLING:
    - MEETS PACKAGING SPECS AS PER GS-14-920
  - THIS PRODUCT MEETS EUROPEAN DIRECTIVES AND OTHER COUNTRY REGULATIONS AS DISCRIBED IN GS-22-008.



mat'l. code		surface		tolerance		projection		product family	
SEE NOTES		ISO 1302 ✓		ISO 406 ISO 101		mm		MINITEK	
ltr	ecn no	dr	date	tolerances unless otherwise specified		mm		title	
G	F04-0186	LMU	04.05.10	angles	X.X ±0.3	mm		SHR HEADER	
H	F04-0351	JCO	05.01.13	linear	X.XX ±0.13	mm		2.00 VERTICAL TMT	
J	F05-0278	LMU	05.10.19		X.XXX ±0.05	scale 1:1		dwg no	
K	F06-0210	LMU	06.07.05	dr	L.MULIN	04.09.27	FCJ		sheet 1 of 2
L	F08-0113	LMU	08.01.17	enr	J.COMPAGNON	04.09.27	98414		size
				chr			type		A3
				appd	JM.C	04.09.27	CUSTOMER Drawing		

sheet index	revision sheet	L	A						
		1	2						

1

2

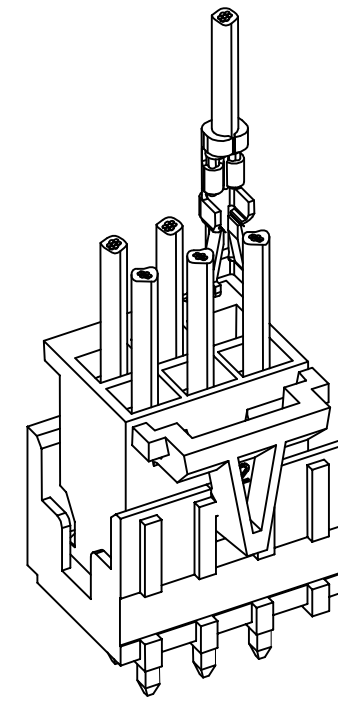
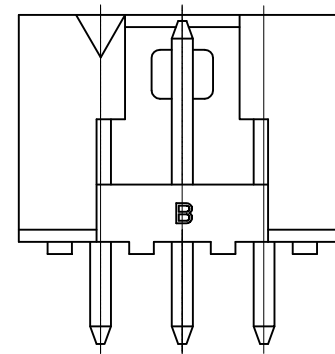
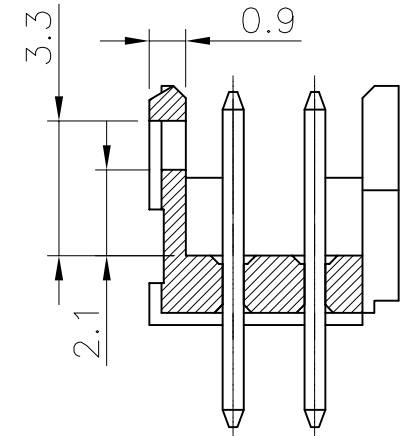
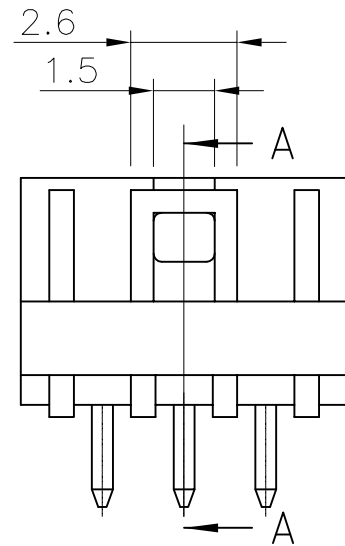
3

4

5

6

2x3 POS AND 2x4 POS CONFIGURATION  
NO LATCHING AVAILABLE FOR 2x2 POS

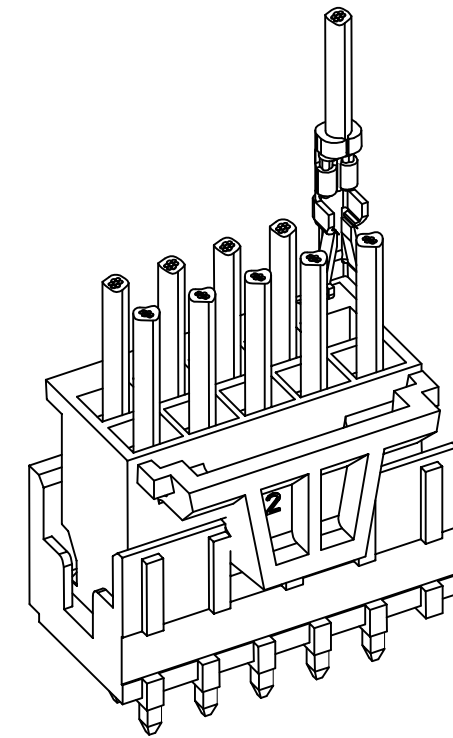
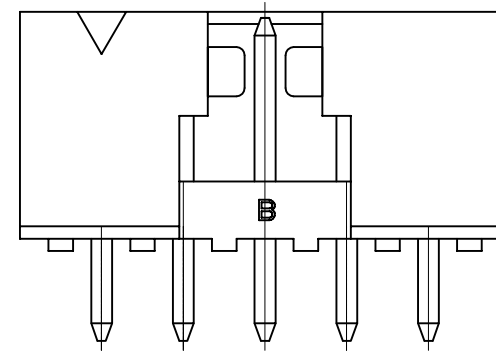
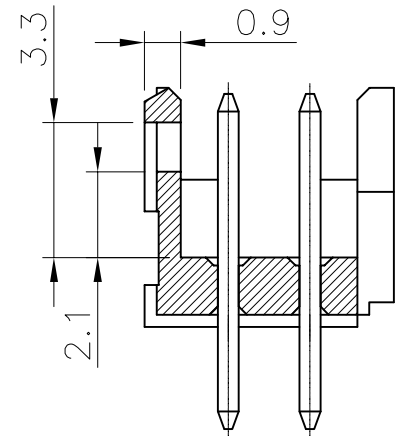
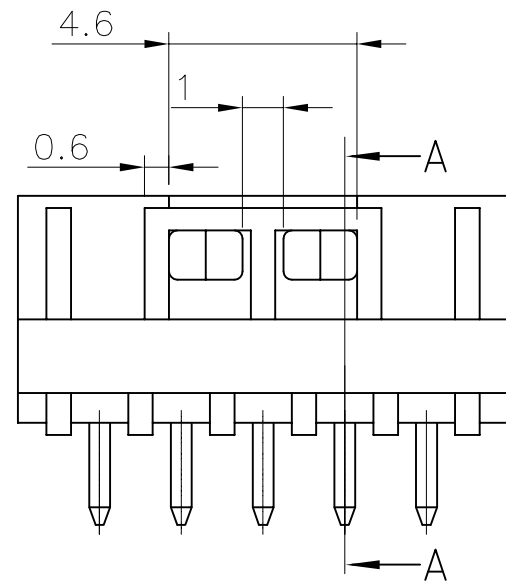


A

A

B

B



C

C

2x5 POS UP TO 2x25 POS CONFIGURATION

LATCHING FEATURES WHEN USED IN COMBINATION  
WITH ACTIVE LATCH HOUSING 10073599

mat'l. code		surface		tolerance		projection		product family			
SEE NOTES		ISO 1302		ISO 406		101		MINITEK			
ltr	ecn no	dr	date	tolerances unless otherwise specified		mm scale 1:1		title			
A	F08-0113	LMU	08.01.17	angles	X.X ±0.3			SHR HEADER			
				linear	X.XX ±0.13			2.00 VERTICAL TMT			
					X.XXX ±0.05			dwg no			
				dr	L.MULIN	07.11.06	FCJ		sheet 2 of -		
				enr	J.COMPAGNON	07.11.06			size		
				chr					98414		A3
				appd	JM.C	07.11.06			type		CUSTOMER Drawing
sheet index	revision sheet										

D

D

1

2

3

4

5

6