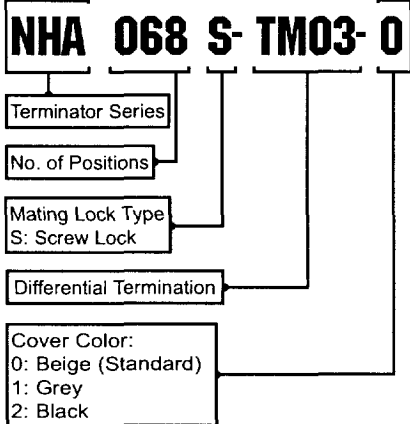
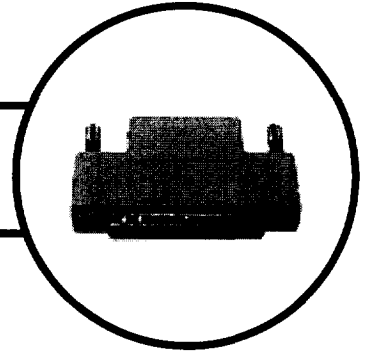


Terminator (Optional)

NHA Series

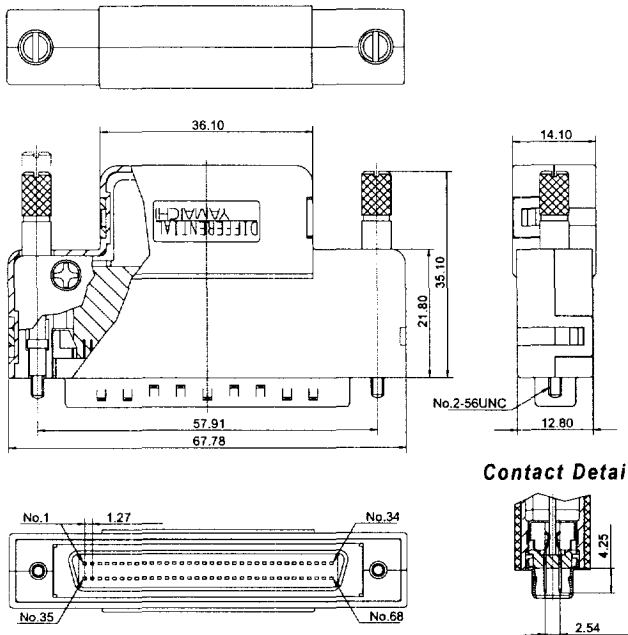
Ordering Information



Materials and Finish

Hood: ABS-UL94V-0 Rated
 Contact Plating: Cu Alloy
 Cover: Zinc Alloy
 Mating Face: Au over Ni

- Over-molded cover.
- ESD / EMI shielding protection.



Contact Detail

