

FEATURES AND SPECIFICATIONS

Features and Benefits

- Sizes 8 to 130 circuits
- With PC slot and guide ears for blind-mate applications
- Polarization slots and guide ears assure error free mating
- Drawn .025" square wire provides 4-sided smooth surface for quality interface

Reference Information

Product Specification: PS-70204
 Packaging: Tray
 UL File No.: E29179 (H)
 CSA File No.: LR19980A
 Mates With: 71973 with flange
 Designed In: Inches

Electrical

Voltage: 250V
 Current: 3.0A
 Contact Resistance: 15mΩ max.
 Dielectric Withstanding Voltage: 1500V
 Insulation Resistance: 1000 MΩ min.

Mechanical

Contact Retention to Housing: 17.79N (4 lb)
 Durability: 25 cycles Tin/Lead and 50 cycles Gold

Physical

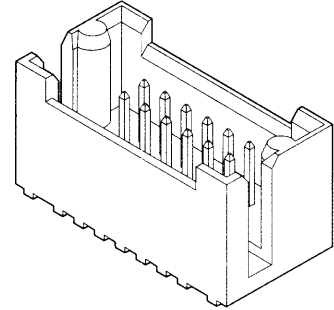
Housing: Glass-filled nylon, UL 94V-0
 Contact: Phosphor Bronze
 Plating: See Table
 Operating Temperature: -40 to +105°C

molex® 2.54mm (.100") Pitch
C-Grid®
Shrouded Header

70204

Dual Row

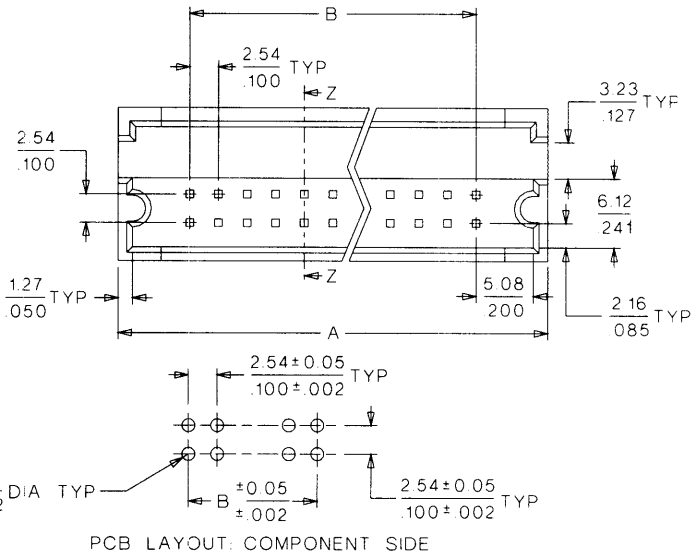
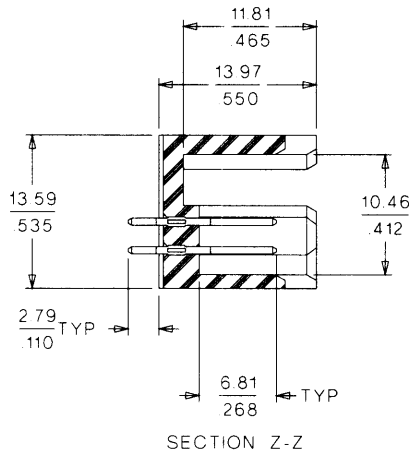
With PC Slot and Guide Ears



2.54mm (.100") Pitch

CATALOG DRAWING (FOR REFERENCE ONLY)

Not For Use With C-Grid IIF™ Components



ORDERING INFORMATION AND DIMENSIONS

Circuits	Dimension	
	A	B
8	20.32 (.800)	7.62 (.300)
10	22.86 (.900)	10.16 (.400)
12	25.40 (1.000)	12.70 (.500)
14	27.94 (1.100)	15.24 (.600)
16	30.48 (1.200)	17.78 (.700)
18	33.02 (1.300)	20.32 (.800)
20	35.56 (1.400)	22.86 (.900)
22	38.10 (1.500)	25.40 (1.000)
24	40.64 (1.600)	27.94 (1.100)
26	43.18 (1.700)	30.48 (1.200)
28	45.72 (1.800)	33.02 (1.300)
30	48.26 (1.900)	35.56 (1.400)
32	50.80 (2.000)	38.10 (1.500)
34	53.34 (2.100)	40.64 (1.600)
36	55.88 (2.200)	43.18 (1.700)
38	58.42 (2.300)	45.72 (1.800)
40	60.96 (2.400)	48.26 (1.900)

Circuits	Dimension	
	A	B
42	63.50 (2.500)	50.80 (2.000)
44	66.04 (2.600)	53.34 (2.100)
46	68.58 (2.700)	55.88 (2.200)
48	71.12 (2.800)	58.42 (2.300)
50	73.66 (2.900)	60.96 (2.400)
52	76.20 (3.000)	63.50 (2.500)
54	78.74 (3.100)	66.04 (2.600)
56	81.28 (3.200)	68.58 (2.700)
58	83.82 (3.300)	71.12 (2.800)
60	86.36 (3.400)	73.66 (2.900)
62	88.90 (3.500)	76.20 (3.000)
64	91.44 (3.600)	78.74 (3.100)
66	93.98 (3.700)	81.28 (3.200)
68	96.52 (3.800)	83.82 (3.300)
70	99.06 (3.900)	86.36 (3.400)
72	101.60 (4.000)	88.90 (3.500)
74	104.14 (4.100)	91.44 (3.600)

Circuits	Dimension	
	A	B
76	106.68 (4.200)	93.98 (3.700)
78	109.22 (4.300)	96.52 (3.800)
80	111.76 (4.400)	99.06 (3.900)
82	114.30 (4.500)	101.60 (4.000)
84	116.84 (4.600)	104.14 (4.100)
86	119.38 (4.700)	106.68 (4.200)
88	121.92 (4.800)	109.22 (4.300)
90	124.46 (4.900)	111.76 (4.400)
92	127.00 (5.000)	114.30 (4.500)
94	129.54 (5.100)	116.84 (4.600)
96	132.08 (5.200)	119.38 (4.700)
98	134.62 (5.300)	121.92 (4.800)
100	137.16 (5.400)	124.46 (4.900)
102	139.70 (5.500)	127.00 (5.000)
104	142.24 (5.600)	129.54 (5.100)
106	144.78 (5.700)	132.08 (5.200)
108	147.32 (5.800)	134.62 (5.300)

Circuits	Dimension	
	A	B
110	149.86 (5.900)	137.16 (5.400)
112	152.40 (6.000)	139.70 (5.500)
114	154.94 (6.100)	142.24 (5.600)
116	157.48 (6.200)	144.78 (5.700)
118	160.02 (6.300)	147.32 (5.800)
120	162.56 (6.400)	149.86 (5.900)
122	165.10 (6.500)	152.40 (6.000)
124	167.64 (6.600)	154.94 (6.100)
126	170.18 (6.700)	157.48 (6.200)
128	172.72 (6.800)	160.02 (6.300)
130	175.26 (6.900)	162.56 (6.400)

Plating Options	Order No.
15μm min. select Gold	• 25-02-6XXX
30μm min. select Gold	• 25-02-1XXX
150μm Tin/Lead overall	• 25-02-2XXX
Replace XXX with no. of circuits, 008-130 (even only)	

• US Standard Product, available through Molex franchised distributors