

DC spark-over voltage ^{1) 2) 4)}	357 ... 525	V
DC spark-over voltage ^{2) 5)}	357 ... 1200	V
Impulse spark-over voltage		
at 100 V/ μ s - for 99 % of measured values ⁴⁾	< 1000	V
- typical values of distribution ⁴⁾	< 800	V
at 1 kV/ μ s - for 99 % of measured values ⁴⁾	< 1200	V
- typical values of distribution ⁴⁾	< 1000	V
at 1 kV/ μ s - for 99 % of measured values ⁵⁾	< 2200	V
- typical values of distribution ⁵⁾	< 1800	V
Nominal impulse discharge current (wave 8/20 μ s) ⁶⁾	5	kA
Single impulse discharge current (wave 10/350 μ s) ⁶⁾	1	kA
Nominal alternating discharge current (50 Hz, 1 s) ⁶⁾	5	A
Impulse life		
300 operations 10/1000 μ s ⁵⁾	200	A
Insulation resistance at 100 V _{dc} ⁴⁾	> 1	G Ω
Capacitance at 1 MHz ⁴⁾	< 1.5	pF
Transverse delay time ³⁾	< 0.2	μ s
Arc voltage at 1 A	~ 10	V
Glow to arc transition current	~ 1	A
Glow voltage	~ 60	V
Weight	~ 0.8	g
Operation and storage temperature	-40 ... +90	°C
Climatic category (IEC 60068-1)	40/ 90/ 21	
Marking, blue	EPCOS 420 YY O 420 - Nominal voltage YY - Year of production O - Non radioactive	

¹⁾ At delivery AQL 0.65 level II, DIN ISO 2859

²⁾ In ionized mode

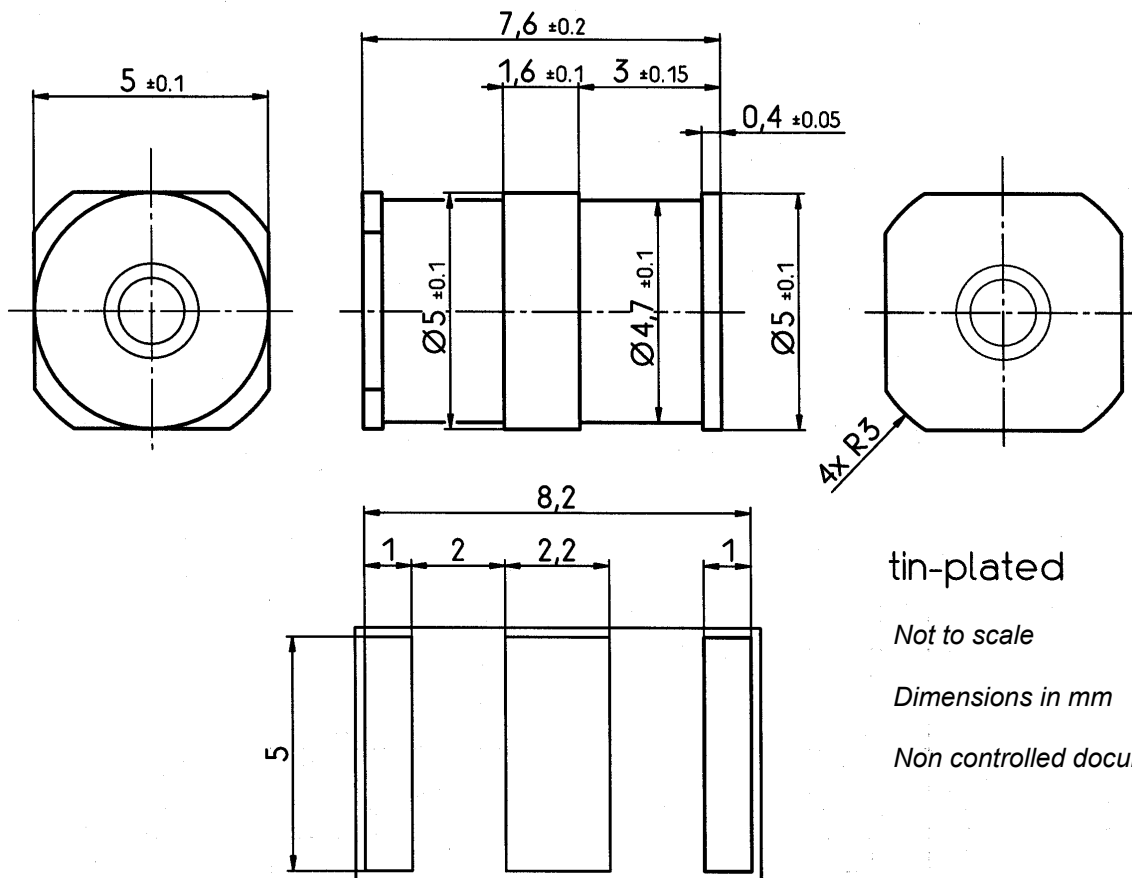
³⁾ Test according to ITU-T Rec. K.12

⁴⁾ Tip or ring electrode to center electrode

⁵⁾ Tip to ring electrode

⁶⁾ Total current through center electrode, half value through tip respectively ring electrode

Terms in accordance with ITU-T Rec. K.12 and DIN 57845/VDE0845



tin-plated

Not to scale

Dimensions in mm

Non controlled document

Platzbedarf auf Platine /
need of space on circuit board

SMD-Gurtverpackung nach IEC 60286-3 /
Tape and reel packing comply with the specification of IEC 60286-3

© EPCOS AG 2002. Reproduction, publication and dissemination of this data sheet, enclosures hereto and the information contained therein without EPCOS' prior express consent is prohibited.

Purchase orders are subject to the General Conditions for the Supply of Products and Services of the Electrical and Electronics Industry recommended by the ZVEI (German Electrical and Electronic Manufacturers' Association), unless otherwise agreed.