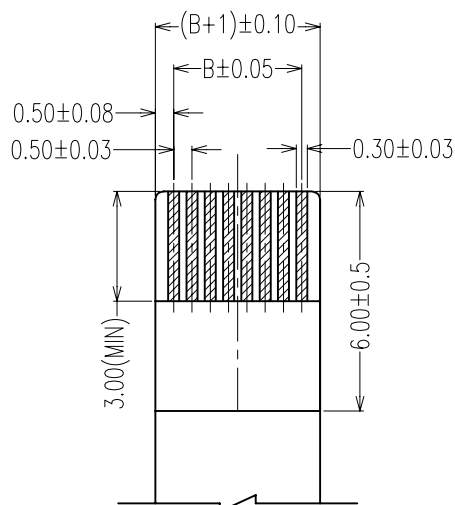


RECOMMENDED PCB PATTERN DIM



RECOMMENDED APPLICABLE FPC LAYOUT (THICKNESS: 0.30±0.03)



PIN	A	B	C
04	8.50	1.50	2.60
05	9.00	2.00	3.10
06	9.50	2.50	3.60
07	10.00	3.00	4.10
08	10.50	3.50	4.60
09	11.00	4.00	5.10
10	11.50	4.50	5.60
11	12.00	5.00	6.10
12	12.50	5.50	6.60
13	13.00	6.00	7.10
14	13.50	6.50	7.60
15	14.00	7.00	8.10
16	14.50	7.50	8.60
17	15.00	8.00	9.10
18	15.50	8.50	9.60
19	16.00	9.00	10.10
20	16.50	9.50	10.60
21	17.00	10.00	11.10
22	17.50	10.50	11.60
23	18.00	11.00	12.10
24	18.50	11.50	12.60
25	19.00	12.00	13.10
26	19.50	12.50	13.60
27	20.00	13.00	14.10
28	20.50	13.50	14.60
29	21.00	14.00	15.10
30	21.50	14.50	15.60

PIN	A	B	C
31	22.00	15.00	16.10
32	22.50	15.50	16.60
33	23.00	16.00	17.10
34	23.50	16.50	17.60
35	24.00	17.00	18.10
36	24.50	17.50	18.60
37	25.00	18.00	19.10
38	25.50	18.50	19.60
39	26.00	19.00	20.10
40	26.50	19.50	20.60
41	27.00	20.00	21.10
42	27.50	20.50	21.60
43	28.00	21.00	22.10
44	28.50	21.50	22.60
45	29.00	22.00	23.10
46	29.50	22.50	23.60
47	30.00	23.00	24.10
48	30.50	23.50	24.60
49	31.00	24.00	25.10
50	31.50	24.50	25.60
51	32.00	25.00	26.10
52	32.50	25.50	26.60
53	33.00	26.00	27.10
54	33.50	26.50	27.60
55	34.00	27.00	28.10
56	34.50	27.50	28.60
57	35.00	28.00	29.10
58	35.50	28.50	29.60
59	36.00	29.00	30.10
60	36.50	29.50	30.60

SPECIFICATIONS:

MATERIALS:-

HOUSING: HIGH TEMPERATURE THERMOPLASTIC UL94V-0

COLOUR: BLACK

ACTUATOR: HIGH TEMPERATURE THERMOPLASTIC UL94V-0

COLOUR: WHITE

CONTACT: COPPER ALLOY, T=0.2mm

FITTING NAIL: COPPER ALLOY, T=0.2mm

FINISH:-

CONTACT: TIN PLATED

FITTING NAIL: TIN PLATED



*PLEASE CONTACT TECHNICAL SALES FOR WAYS WITH * FOR AVAILABILITY 3

NOTES: ALL DIMENSIONS AND NOTES MARKED * ARE CRITICAL AND MUST BE CHECKED IN ACCORDANCE WITH QUALITY DOC. Q1-02A

TOLERANCE:

DIMENSIONS	ANGLES
X.X = ±0.30mm	±0°30'
X.XX = ±0.20mm	

ORDER CODE

F05E- XX 2146R

NO. OF WAYS

HARWIN

HARWIN USA
TEL: 603 893 5376
FAX: 603 893 5396
mis@harwin.com

HARWIN Europe (UK)
TEL: 023 9231 4545
FAX: 023 9231 4590
mis@harwin.co.uk

HARWIN Asia
TEL: +65 6 779 4909
FAX: +65 6 779 3868
mis@harwin.com.sg

THIS DRAWING AND ANY INFORMATION OR DESCRIPTIVE MATTER SET OUT HEREON ARE CONFIDENTIAL AND COPYRIGHT PROPERTY OF THE HARWIN GROUP AND MUST NOT BE DISCLOSED, LOANED, COPIED OR USED FOR MANUFACTURING, TENDERING OR FOR ANY OTHER PURPOSE WITHOUT THEIR WRITTEN PERMISSION.

TOLERANCES
X = ±1mm
X.X = ±0.25mm
X.XX = ±0.10mm
X.XXX = ±0.01mm
ANGLES = ±5°
UNLESS STATED

MATERIAL: SEE ABOVE
FINISH: SEE ABOVE
S/AREA: mm²

TITLE:
0.5 ZIP FPC SMT R/A TYPE
BOTTOM CONTACT

DRAWING NUMBER:
F05E- XX 2146R

SHT
1
OF
1

NAME	ISS.	DATE	C/NOTE
Allan	7	02.09.08	A232
Allan	6	15.09.08	A161
Allan	5	18.12.07	A099
Allan	4	26.07.07	A063
Allan	3	18.07.07	A062
Allan	2	06.07.07	A058
Allan	1	01.08.06	-

NAME	ISS.	DATE	C/NOTE
------	------	------	--------

APPROVED:

CHECKED: *Paul*

DRAWN: Allan

CUSTOMER REF.:

ASSEMBLY DRG: