

**PLEASE CHECK WWW.MOLEX.COM FOR LATEST PART INFORMATION**

**Part Number:** [0191930362](#)  
**Status:** **Active**  
**Description:** VersaKrimp™ Ring Tongue Terminal for 3/0 AWG Wire

**Documents:**

[Drawing \(PDF\)](#) [RoHS Certificate of Compliance \(PDF\)](#)

**Agency Certification**

CSA	LR18689
UL	E32244

**General**

Product Family	Ring and Spade Terminals
Series	<a href="#">19193</a>
Crimp Quality Equipment	Yes
Mil-Spec	N/A
Product Name	VersaKrimp™
Type	Ring

**Physical**

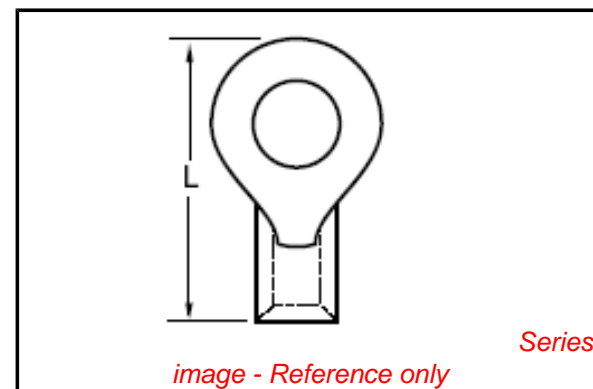
Barrel Type	Closed - Brazed
Insulation	None
Material - Plating Mating	Tin
Packaging Type	Bag
Plating min: Mating (µin)	100
Plating min: Mating (µm)	2.5
Plating min: Termination (µin)	100
Plating min: Termination (µm)	2.5
Stud Size	5/8" (M16)
Termination Interface: Style	Crimp or Compression
Wire Size AWG	3/0

**Material Info**

Old Part Number	K-390-58
-----------------	----------

**Reference - Drawing Numbers**

Sales Drawing	CDK390
---------------	--------



*image - Reference only*

**EU RoHS**

**ELV and RoHS  
Compliant**  
**REACH SVHC  
Contains SVHC: No**  
**Halogen-Free  
Status  
Not Reviewed**

**China RoHS**



**Need more information on product  
environmental compliance?**

Email [productcompliance@molex.com](mailto:productcompliance@molex.com)  
 For a multiple part number RoHS Certificate of  
 Compliance, [click here](#)

Please visit the [Contact Us](#) section for any  
 non-product compliance questions.

**Search Parts in this Series**

[19193Series](#)

**Application Tooling | [FAQ](#)**

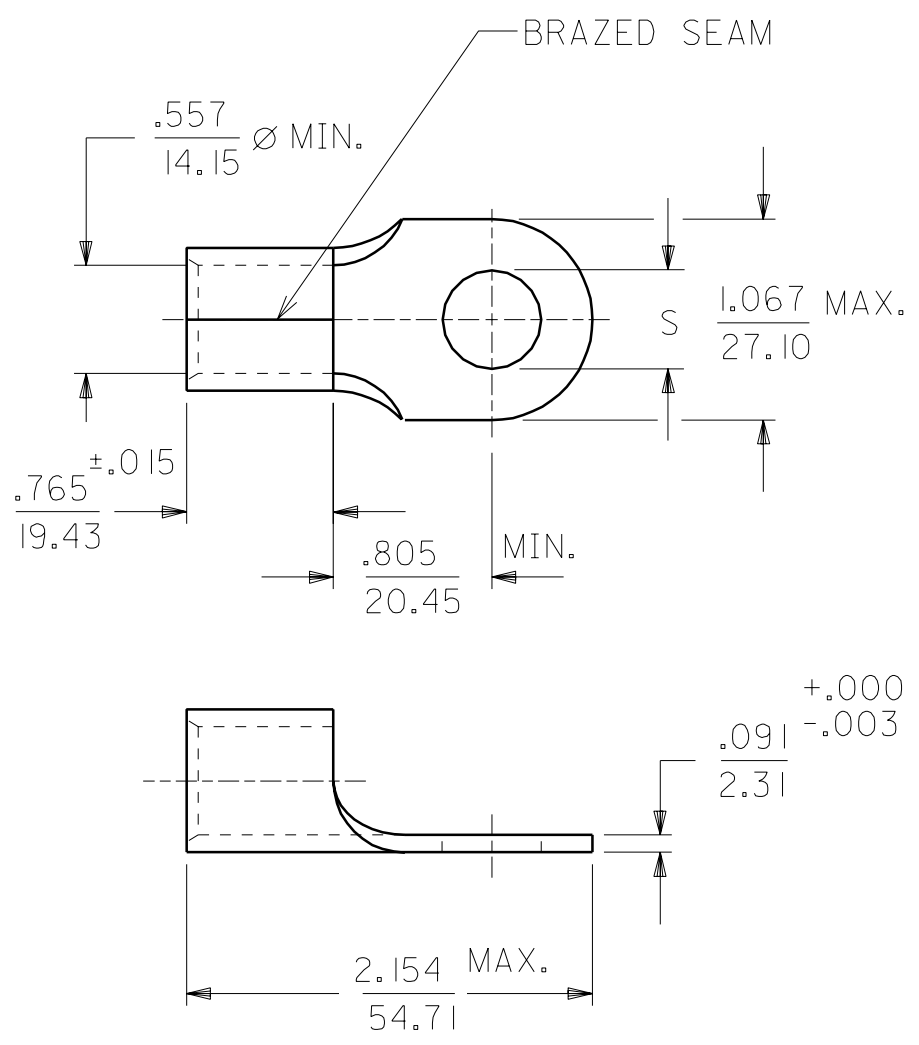
*Tooling specifications and manuals are  
 found by selecting the products below.  
 Crimp Height Specifications are then  
 contained in the Application Tooling  
 Specification document.*

**Global**

Description	Product #
Die Set (large) for the HHLS Hydraulic Crimper	<a href="#">0192900028</a>

DRWG. NO. CDK390

MATERIAL: COPPER  
PLATING: TIN



PART NO.	STUD SIZE	±.003 "S"
K-390-56	5/16	.328
K-390-38	3/8	.390
K-390-76	7/16	.453
K-390-12	1/2	.515
K-390-58	5/8	.656
K-390-34	3/4	.781

WIRE SIZE: 3/0 AWG  
95 MM<sup>2</sup>

REVISE ONLY ON CAD SYSTEM

TITLE RING TONGUE TERMINAL  
VERSAKRIMP  
3/0 AWG

BRWG. BY EMF  
CHK'D. BY JM  
APP'D. BY FP  
SCALE 1:1

**molex ETC INC.**  
PINELLAS PARK, FLA. 34665 U.S.A.

PART NO. SEE CHART  
FILE NAME CDK390

SHEET NO. DATE 12/01/93

DRWG. NO. CDK390

THIS DRAWING CONTAINS INFORMATION THAT IS PROPRIETARY TO MOLEX-ETC INC. AND SHOULD NOT BE USED WITHOUT WRITTEN PERMISSION.

DIV. SIZE A