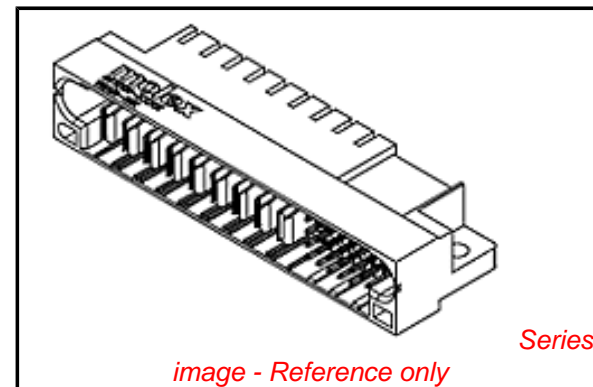


**PLEASE CHECK WWW.MOLEX.COM FOR LATEST PART INFORMATION**

**Part Number:** [0878743002](#)  
**Status:** **Active**  
**Overview:** [extreme\\_lphpower](#)  
**Description:** 5.08mm (.200"), 2.54mm (.100") Pitch Power, 2.54mm (.100") Pitch Signal, EXTreme PowerPlus™ Pa-S Header, Through Hole, Right Angle, Screw Mount, 24 Circuits, Power Alpha 20, Signal 4, Recessed Signal Pin A1-A5, Lead-free

**Documents:**

[Drawing \(PDF\)](#) [RoHS Certificate of Compliance \(PDF\)](#)  
[Product Specification PS-87805-006 \(PDF\)](#)



**General**

Product Family	PCB Headers
Series	87874
Application	Board-to-Board
Comments	<LI>Recessed Signal Pin Locations at: A1-A5<LI>No Void Pins
Overview	<a href="#">extreme_lphpower</a>
Product Name	EXTreme PowerPlus™

**Physical**

Breakaway	No
Circuits (Loaded)	24
Circuits Detail	Power Alpha 4 Signal 20
Color - Resin	Black
Durability (mating cycles max)	100
First Mate / Last Break	Yes
Glow-Wire Compliant	No
Guide to Mating Part	Yes
Keying to Mating Part	Yes
Material - Metal	Copper Alloy
Material - Plating Mating	Gold
Material - Plating Termination	Tin
Material - Resin	High Temperature Thermoplastic
Number of Rows	4
Orientation	Right Angle
PC Tail Length (in)	0.135 In
PC Tail Length (mm)	3.43 mm
PCB Locator	No
PCB Retention	Yes
PCB Thickness Recommended (in)	0.062 In
PCB Thickness Recommended (mm)	1.57 mm
Packaging Type	Tray
Pitch - Mating Interface (in)	0.100 In, 0.200 In
Pitch - Mating Interface (mm)	2.54 mm, 5.08 mm
Plating min: Mating (µin)	30
Plating min: Mating (µm)	0.76
Plating min: Termination (µin)	100
Plating min: Termination (µm)	2.54
Polarized to Mating Part	Yes
Polarized to PCB	Yes
Shrouded	Fully
Stackable	No
Temperature Range - Operating	-20°C to +105°C
Termination Interface: Style	Through Hole

**EU RoHS**

**ELV and RoHS Compliant**  
**REACH SVHC**  
 Not Reviewed  
**Halogen-Free Status**  
 Not Reviewed

**China RoHS**



**Need more information on product environmental compliance?**

Email [productcompliance@molex.com](mailto:productcompliance@molex.com)  
 For a multiple part number RoHS Certificate of Compliance, [click here](#)

Please visit the [Contact Us](#) section for any non-product compliance questions.

**Search Parts in this Series**

87874Series

**Mates With**

KK® PCB Receptacles like 4455. SL™ IDT Housings like 70430. KK® IDT Housings like 7720 and 70400a. C-Grid® PCB Receptacles like 90147 and 90148

**Electrical**

Current - Maximum per Contact 2.5A, 30A  
Voltage - Maximum 250V (RMS)

**Solder Process Data**

Duration at Max. Process Temperature (seconds) 10  
Lead-free Process Capability SMC & Wave Capable (TH only)  
Max. Cycles at Max. Process Temperature 3  
Process Temperature max. C 260

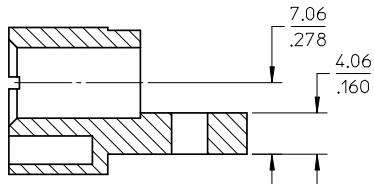
**Material Info****Reference - Drawing Numbers**

Application Specification AS-87631-018  
Product Specification PS-87805-006  
Sales Drawing SD-87874-014

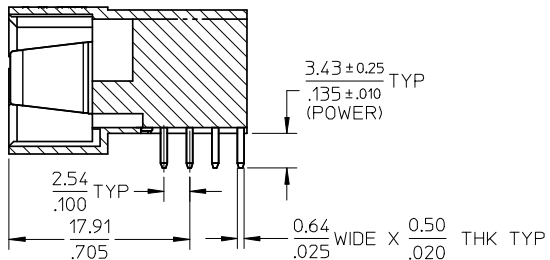
This document was generated on 05/25/2010

**PLEASE CHECK [WWW.MOLEX.COM](http://WWW.MOLEX.COM) FOR LATEST PART INFORMATION**

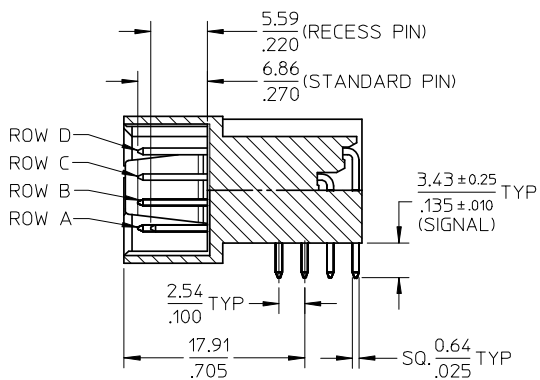




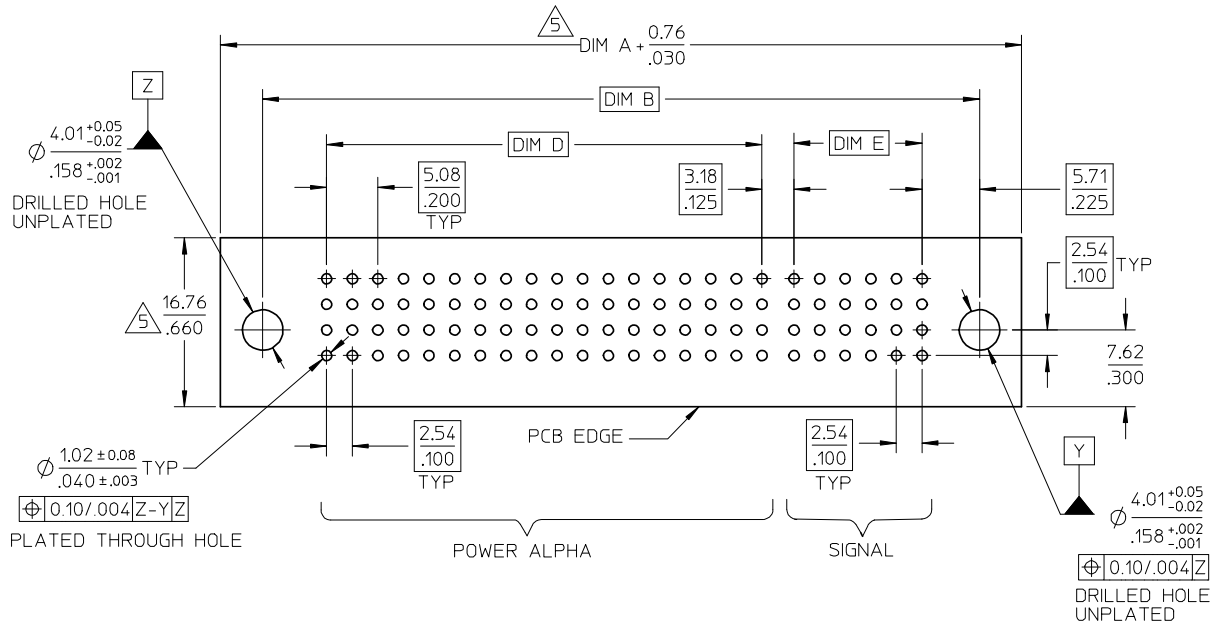
SECTION X-X



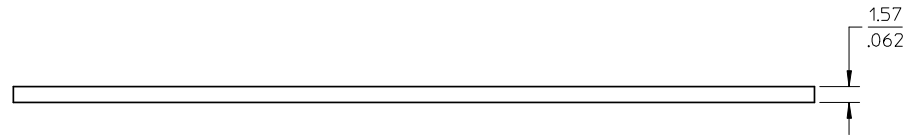
SECTION Y-Y



SECTION Z-Z



RECOMMENDED PCB LAYOUT  
(COMPONENT SIDE)



PDR#S-001762-00-00 EC NO: S2008-0747 DRWN:SKANG 2008/03/28 CHKD:ATSEE 2008/03/31 APPR:MLONG 2008/03/31	QUALITY SYMBOLS	GENERAL TOLERANCES (UNLESS SPECIFIED)	DIMENSION STYLE	SCALE	DESIGN UNITS	THIRD ANGLE PROJECTION	
	$\nabla=0$ $\sphericalangle=0$	mm    INCH 4 PLACES ± --- ± --- 3 PLACES ± --- ± .010 2 PLACES ± 0.25 ± --- 1 PLACE ± --- ± --- ANGULAR ± 3 °	MM/IN	NTS	METRIC		
	DESCRIPTION	DRAFT WHERE APPLICABLE MUST REMAIN WITHIN DIMENSIONS	DRAWN BY: KFL IM    DATE: 2007/01/25 CHECKED BY: GMENARLY    DATE: 2007/02/02 APPROVED BY: MLONG    DATE: 2007/02/02	TITLE	POWER CONNECTOR HEADER P(A)-S CONFIG. R/A, T/H, S/M		
	REV		MATERIAL NO.	SEE TABLE	DOCUMENT NO.	MOLEX INCORPORATED SD-87874-014	
A2		SIZE	A3	THIS DRAWING CONTAINS INFORMATION THAT IS PROPRIETARY TO MOLEX INCORPORATED AND SHOULD NOT BE USED WITHOUT WRITTEN PERMISSION			
						SHEET NO. 2 OF 3	

ASSEMBLY PART NUMBER	P-S CONFIGURATION		COMPONENT PART NUMBER											PACKAGING	
	POWER ALPHA	SIGNAL	DIM A	DIM B	DIM C	DIM D	DIM E	STANDARD SIGNAL PIN			RECESS SIGNAL PIN				VOID PIN LOCATION
								ROW	COLUMN	LENGTH	ROW	COLUMN	LENGTH		
87874-3001	9	24	78.74 3.100	71.12 2.800	69.85 2.750	43.18 1.700	12.70 .500	D C B A	1,2,3,4,5 1,2,3,4,5 1,2,3,4,5,6 1,2,3,4,5	6.86/.270	D C B A	6 6 NIL 6	5.59/.220	NIL	TRAY
87874-3002	4	20	50.80 2.000	43.18 1.700	41.91 1.650	17.78 .700	10.16 .400	D C B A	1,2,3,4,5 1,2,3,4,5 1,2,3,4,5 NIL	6.86/.270	D C B A	NIL NIL NIL 1,2,3,4,5	5.59/.220	NIL	TRAY



PDR#S-001762-00-00 EC NO: S2008-0747 DRWN:SKANG 2008/03/28 CHKD:ATSEE 2008/03/31 APPR:MLONG 2008/03/31	DESCRIPTION REV	QUALITY SYMBOLS	GENERAL TOLERANCES (UNLESS SPECIFIED)	DIMENSION STYLE	SCALE	DESIGN UNITS	THIRD ANGLE PROJECTION
		$\nabla=0$ $\sphericalcap=0$	mm INCH	MM/IN	NTS	METRIC	
		4 PLACES ± --- ± --- 3 PLACES ± --- ± .010 2 PLACES ± 0.25 ± --- 1 PLACE ± --- ± ---	DRAWN BY DATE KFL IM 2007/01/25 CHECKED BY DATE GMENARLY 2007/02/02 APPROVED BY DATE MLONG 2007/02/02	TITLE POWER CONNECTOR HEADER P(A)-S CONFIG. R/A, T/H, S/M			
		ANGULAR ± 3 ° DRAFT WHERE APPLICABLE MUST REMAIN WITHIN DIMENSIONS	MATERIAL NO. SEE TABLE SIZE A3	MOLEX INCORPORATED DOCUMENT NO. SD-87874-014 THIS DRAWING CONTAINS INFORMATION THAT IS PROPRIETARY TO MOLEX INCORPORATED AND SHOULD NOT BE USED WITHOUT WRITTEN PERMISSION	SHEET NO. 3 OF 3		