

PLEASE CHECK WWW.MOLEX.COM FOR LATEST PART INFORMATION

Part Number: [0524841210](#)
Status: **Active**
Description: 2.0 W/B CONN. IDT REC. HSG ASSY

Documents:

3D Model	Product Specification PS-52484-012 (PDF)
Drawing (PDF)	Product Specification PS-52484-021 (PDF)
Product Specification PS-51090-003 (PDF)	Product Specification PS-52484-022 (PDF)
Product Specification PS-51090-007 (PDF)	Product Specification PS-53358-001 (PDF)
Product Specification PS-52478-001 (PDF)	Product Specification PS-55460-001 (PDF)
Product Specification PS-52478-002 (PDF)	Product Specification PS-55533-003 (PDF)
Product Specification PS-52484-011 (PDF)	RoHS Certificate of Compliance (PDF)

Agency Certification

CSA	LR19980
UL	E29179

General

Product Family	IDT and Solder Connectors
Series	52484
Crimp Quality Equipment	Yes
Product Name	Mi II™

Physical

Circuits (Loaded)	12
Color - Resin	Natural
Durability (mating cycles max)	30
Flammability	94V-0
Gender	Female
Glow-Wire Compliant	No
Lock to Mating Part	None
Material - Metal	Phosphor Bronze
Material - Plating Mating	Tin
Material - Plating Termination	Tin
Material - Resin	Nylon
Number of Rows	1
Packaging Type	Bag
Panel Mount	No
Pitch - Mating Interface (in)	0.079 In
Pitch - Mating Interface (mm)	2.00 mm
Plating min: Mating (µin)	36
Plating min: Mating (µm)	0.90
Plating min: Termination (µin)	36
Plating min: Termination (µm)	0.90
Temperature Range - Operating	-40°C to +105°C
Wire Insulation Diameter	0.85-1.05mm (.033-.041")
Wire Size AWG	26, 28

Electrical

Current - Maximum per Contact	1.5A
Voltage - Maximum	125V

Material Info

Reference - Drawing Numbers

Product Specification	PS-51090-003, PS-51090-007, PS-52478-001, PS-52478-002, PS-52484-011, PS-52484-012,
-----------------------	---

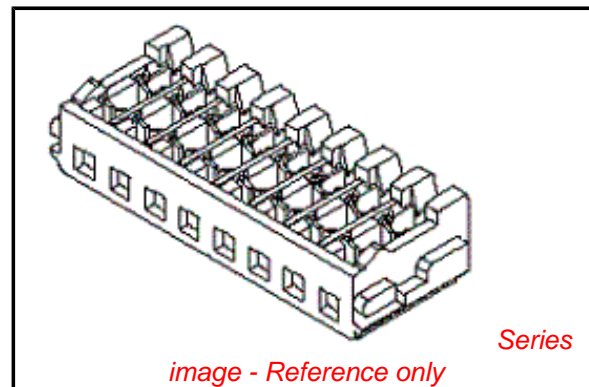


image - Reference only

EU RoHS

ELV and RoHS Compliant
REACH SVHC
 Not Reviewed
Halogen-Free Status
 Not Reviewed

China RoHS



Need more information on product environmental compliance?

Email productcompliance@molex.com
 For a multiple part number RoHS Certificate of Compliance, [click here](#)

Please visit the [Contact Us](#) section for any non-product compliance questions.

Search Parts in this Series

[52484Series](#)

Mates With

[51206](#) , [53313](#) , [55460](#) , [53358](#) , [53324](#) , [53325](#)

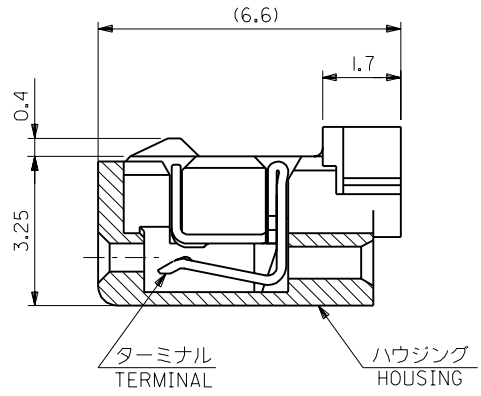
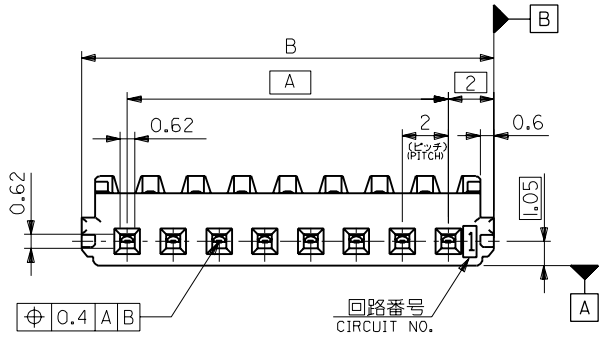
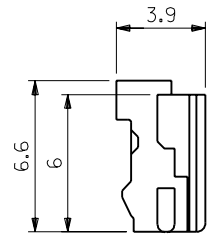
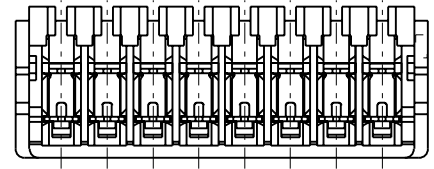
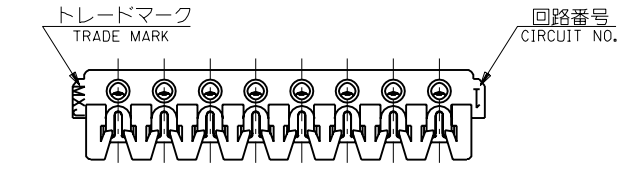
Sales Drawing

PS-52484-021, PS-52484-022, PS-53358-001,
PS-55460-001, PS-55533-003, RPS-51090-002,
RPS-51090-005, RPS-51090-019, RPS-51090-021,
RPS-52484-002, RPS-52484-005, RPS-52484-014,
RPS-52484-015, RPS-52484-017, RPS-52484-019,
RPS-52484-020, RPS-52484-022, RPS-52484-023,
RPS-52484-024, RPS-52484-025, RPS-52484-026,
RPS-52969-004, RPS-52969-005, RPS-52969-006,
RPS-53358-001, RPS-54111-005, RPS-55460-015
SD-52484-008

This document was generated on 04/16/2010

PLEASE CHECK WWW.MOLEX.COM FOR LATEST PART INFORMATION

DWG. NO. SD-52484-008



ターミナル装着状態図
FIGURE OF TERMINAL WHEN ASSEMBLED
(SCALE : 10-1)

注記
NOTES

1. 嵌合相手: 53324-***0, 53325-***0, 53358-***0, 53401-***0
MATES WITH
2. 材質
MATERIAL
ハウジング: ガラス入り66ナイロン, UL94V-0, 色: 表参照
HOUSING: GLASS FILLED 66 NYLON, UL94V-0, COLOR: SEE CHART
ターミナル: りん青銅, 錫メッキ (t=0.2)
TERMINAL: PHOSPHOR BRONZE, PRE-TINNED (t=0.2)
3. 適合クリップ: 51094-***05
APPLICABLE CLIP



製品番号
MATERIAL NO.
52484-***
極数 CIRCUIT SIZE

ナチュラル(白) NATURAL(WHITE)	0
赤 RED	2
黄 YELLOW	3
青 BLUE	4

32	28	52484-151*	15	52484-***1*
30	26	-141*	14	
28	24	-131*	13	
26	22	-121*	12	
24	20	-111*	11	
22	18	-101*	10	
20	16	-091*	9	
18	14	-081*	8	
16	12	-071*	7	
14	10	-061*	6	
12	8	-051*	5	52484-021*
10	6	-041*	4	
8	4	-031*	3	
6	2	52484-021*	2	
B	A	製品番号 MATERIAL NO.	極数 CIRCUIT	MODEL NO.

DO NOT SCALE DRAWING

EC NO. DRWN: CHK: APPR:	EC NO. DRWN: CHK: APPR:	EC NO. DRWN: CHK: APPR:	EC NO. DRWN: CHK: APPR:	O RELEASED EC No. JD2000-0703 DRWN: K. KOBAYASHI 00/05/07 CHK: J. MIYAZAWA 00/05/07 APPR: H. IKESUGI 00/05/07	DESCRIPTION	MATERIAL 材料	注参照 SEE NOTES	GENERAL TOLERANCES: (UNLESS SPECIFIED) 一般公差	SCALE	DESIGN UNITS	THIRD ANGLE PROJECTION	DIMENSIONS:		SHT	REV
						FINISH 仕上げ			注参照 SEE NOTES	10 UNDER 未満		±0.2	mm	mm ONLY	REVISE ON CAD ONLY
WIRE RANGE 適用線径範囲						AWG #26-#28	ANGLE 角度	±3°	DRAWN BY & DATE K Kobayashi 00/05/07		TITLE: 2.0 W/B CONN. IDT REC. HS'G ASS'Y				
INS. RANGE 被覆外径						φ1.05 MAX.	APPROVED BY & DATE 00/05/07		MATERIAL NO. 52484008.S01		DRAWING NO. SD-52484-008		SHEET NO. 1 OF 1		
THIS DRAWING CONTAINS INFORMATION THAT IS PROPRIETARY TO MOLEX INCORPORATED AND SHOULD NOT BE USED WITHOUT WRITTEN PERMISSION.												SIZE B			

A 52484008.S01