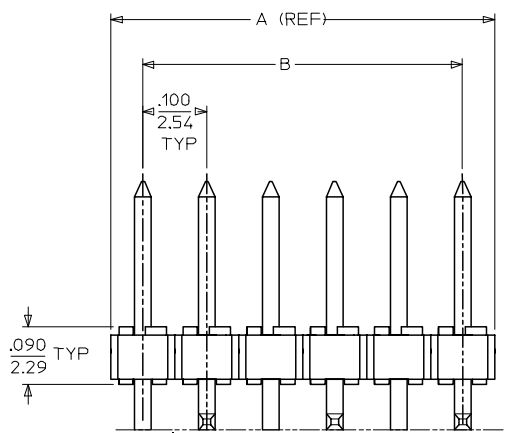
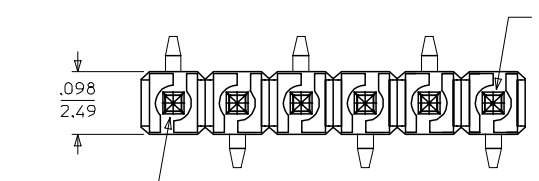
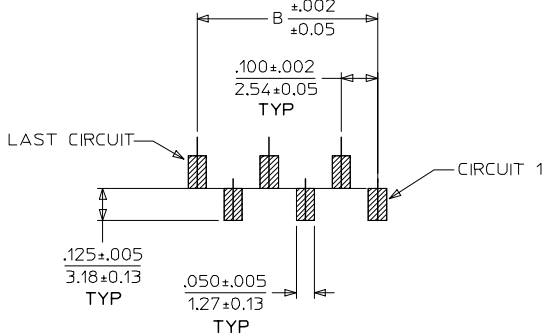
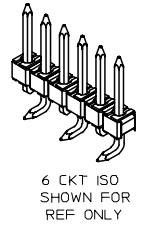
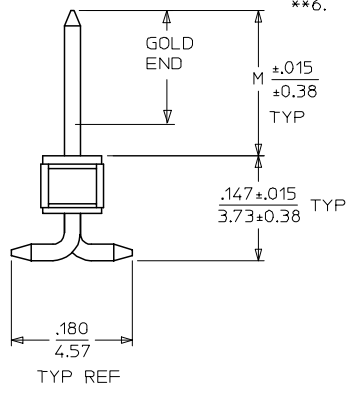


NO. OF CKTS	A	B
** 2	.200	
	5.08	
3	.300	.200
	7.62	5.08
4	.400	.300
	10.16	7.62
5	.500	.400
	12.70	10.16
6	.600	.500
	15.24	12.70
7	.700	.600
	17.78	15.24
8	.800	.700
	20.32	17.78
9	.900	.800
	22.86	20.32
10	1.000	.900
	25.40	22.86
11	1.100	1.000
	27.94	25.40
12	1.200	1.100
	30.48	27.94
13	1.300	1.200
	33.02	30.48
14	1.400	1.300
	35.56	33.02
15	1.500	1.400
	38.10	35.56
16	1.600	1.500
	40.64	38.10
17	1.700	1.600
	43.18	40.64
18	1.800	1.700
	45.72	43.18
19	1.900	1.800
	48.26	45.72
20	2.000	1.900
	50.80	48.26
21	2.100	2.000
	53.34	50.80
22	2.200	2.100
	55.88	53.34
23	2.300	2.200
	58.42	55.88
24	2.400	2.300
	60.96	58.42



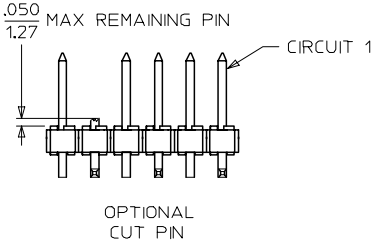
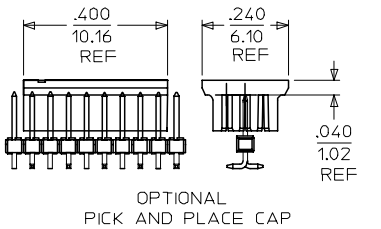
CKTS	COPLANARITY
2-6	.006/(0.15)
7-14	.010/(0.25)
15-24	.012/(0.30)



PCB LAYOUT: COMPONENT SIDE

- NOTES:
- MATERIAL: HOUSING: NYLON 46, GLASS FILLED, UL94V-0, COLOR: BLACK
.025/0.64 SQ PIN: PHOSPHOR BRONZE
 - FINISH:
 - A- *(154) OVERALL TIN; THICKNESS= .000100/0.00254 MIN.
 - B- (208) SELECTIVE GOLD IN CONTACT AREA: THICKNESS= .000015/0.00038 MIN,
*SELECTIVE TIN IN PC TAIL AREA: THICKNESS= .000100/0.00254 MIN,
OVERALL NICKEL UNDERPLATE: .000050/0.00127 MIN.
 - C- (228) SELECTIVE GOLD IN CONTACT AREA: THICKNESS= .000030/0.00076 MIN,
*SELECTIVE TIN IN PC TAIL AREA: THICKNESS= .000100/0.00254 MIN,
OVERALL NICKEL UNDERPLATE: .000050/0.00127 MIN.
 - PRODUCT SPEC: NONE AVAILABLE
 - PACKAGING INFORMATION: SEE CHARTS, SHEETS 2 THRU 4.
 - PARTS ARE NOT STACKABLE ON .100/2.54 CENTERS
 - **6. TWO CKT PARTS WILL REQUIRE SUPPORT DURING THE SOLDER PROCESS

GENERAL DOCS	4	I
GENERAL DOCS	3	I
GENERAL DOCS	2	I
ME10	1	I



DESIGN CTRL TRANS.
FC NO: UCP2005-2626
DRAWN: JLONE 2005/06/28
CHKD: ADERR 2005/06/28
APPR: FSM TH 2005/07/06

QUALITY SYMBOLS
 $\nabla=0$
 $\nabla=0$

GENERAL TOLERANCES (UNLESS SPECIFIED)

	mm	INCH
4 PLACES	± ---	± ---
3 PLACES	± ---	± .005
2 PLACES	± 0.13	± .010
1 PLACE	± 0.25	± ---

ANGULAR ±1/2°

DRAFT WHERE APPLICABLE
MUST REMAIN WITHIN DIMENSIONS

DESIGN STYLE IN/MM

DRAWN BY SAMIAC DATE 2000/10/28
CHECKED BY SAMIEC DATE 2000/10/28
APPROVED BY EDGLEY DATE 2000/10/28

MATERIAL NO. SEE CHART

SCALE ---
DESIGN UNITS INCH
THIRD ANGLE PROJECTION

CUSTOM HEADER
.100/(2.54) CENTERLINE
VERTICAL/SMT SINGLE ROW

molex MOLEX INCORPORATED

DOCUMENT NO. SD-68301-001
SHEET NO. 1 OF 4

THIS DRAWING CONTAINS INFORMATION THAT IS PROPRIETARY TO MOLEX INCORPORATED AND SHOULD NOT BE USED WITHOUT WRITTEN PERMISSION



CUSTOM HEADER

68301

* _____ = NOT TOOLED

MATERIAL NO	PIN NO	OPTIONAL SUB ASSY	PLT REF	DIM M MATING	FINAL NO. OF CKTS	VOID CKT NO	PACK PER	PICK & PLACE CAP	CUT PIN CKT NO.	OBSOLETE
68301-1006	42663-ABB208	42375-0040	208	<u>.240</u> 6.10	5	NONE	PK-44743-006	-	-	
68301-1007	42663-ABA154	42375-0010	154	.240 6.10	10	NONE	TAPE&REEL PK-68300-001	71133-1000	-	
68301-1009	42663-ABB208	42375-0038	208	<u>.240</u> 6.10	3	NONE	PK-44743-006	-	-	
68301-1010	42663-ABB208	42375-0039	208	.240 6.10	4	NONE	PK-44743-006	-	-	X
68301-1011	42663-ABB208	42375-0041	208	<u>.240</u> 6.10	6	NONE	PK-44743-006	-	-	X
68301-1012	42663-ABB208	42375-0042	208	.240 6.10	7	NONE	PK-44743-006	-	-	
68301-1013	42663-ABB208	42375-0043	208	<u>.240</u> 6.10	8	NONE	PK-44743-006	-	-	
68301-1014	42663-ABA154	42375-0003	154	.240 6.10	3	NONE	PK-44743-006	-	-	
68301-1015	42663-ABA154	42375-0004	154	<u>.240</u> 6.10	4	NONE	PK-44743-006	-	-	
68301-1016	42663-ABA154	42375-0005	154	<u>.240</u> 6.10	5	NONE	PK-44743-006	-	-	
68301-1017	42663-ABA154	42375-0006	154	<u>.240</u> 6.10	6	NONE	PK-44743-006	-	-	
68301-1018	42663-ABA154	42375-0007	154	<u>.240</u> 6.10	7	NONE	PK-44743-006	-	-	
68301-1019	42663-ABA154	42375-0008	154	<u>.240</u> 6.10	8	NONE	PK-44743-006	-	-	
68301-1020	42663-ABB228	42375-0073	228	<u>.240</u> 6.10	3	NONE	PK-44743-006	-	-	
68301-1021	42663-ABB228	42375-0074	228	.240 6.10	4	NONE	PK-44743-006	-	-	X
68301-1026	42663-AMB228	42375-0288	228	<u>.295</u> 7.49	8	NONE	PK-44743-006	-	-	X
68301-1027	42663-AMB228	42375-0290	228	.295 7.49	10	NONE	PK-44743-006	-	-	X
68301-1028	42663-CNB228	-	228	<u>.505</u> 12.83	8	NONE	PK-44743-006	-	-	
68301-1031	42663-AW/A154	42375-0108	154	.320 8.13	3	NONE	PK-44743-006	-	-	X
68301-1032	42663-AW/A154	42375-0109	154	<u>.320</u> 8.13	4	NONE	PK-44743-006	-	-	
68301-1033	42663-AW/A154	42375-0110	154	.320 8.13	5	NONE	PK-44743-006	-	-	X
68301-1034	42663-AW/A154	42375-0111	154	<u>.320</u> 8.13	6	NONE	PK-44743-006	-	-	X
68301-1035	42663-AW/A154	42375-0112	154	<u>.320</u> 8.13	7	NONE	PK-44743-006	-	-	X
68301-1036	42663-AW/A154	42375-0113	154	.320 8.13	8	NONE	PK-44743-006	-	-	X

SHEET ONE IS ME10

REVISION: I	TRANSFER TO SINGAPORE EC: UCP2005-2626 DATE: 06/27/2005	TITLE: CUSTOM HEADER 100 CTR SINGLE ROW / VERTICAL SMT	SHEET No. 2
DOCUMENT NUMBER: SD-68301-001	CREATED / REVISED BY: JLOWE	CHECKED BY: ADERR	APPROVED BY: FSMITH



CUSTOM HEADER

68301

* _____ = NOT TOOLED

MATERIAL NO	PIN NO	OPTIONAL SUB ASSY	PLT REF	DIM M MATING	FINAL NO. OF CKTS	VOID CKT NO	PACK PER	PICK & PLACE CAP	CUT PIN CKT NO.	OBSOLETE
68301-1037	42663-AWB208	42375-0143	208	.320 8.13	3	NONE	PK-44743-006	-	-	X
68301-1038	42663-AWB208	42375-0144	208	.320 8.13	4	NONE	PK-44743-006	-	-	X
68301-1039	42663-AWB208	42375-0145	208	.320 8.13	5	NONE	PK-44743-006	-	-	X
68301-1040	42663-AWB208	42375-0146	208	.320 8.13	6	NONE	PK-44743-006	-	-	X
68301-1041	42663-AWB208	42375-0147	208	.320 8.13	7	NONE	PK-44743-006	-	-	X
68301-1042	42663-AWB208	42375-0148	208	.320 8.13	8	NONE	PK-44743-006	-	-	X
68301-1049	42663-AWB228	NONE	228	.320 8.13	8	5	PK-44743-006	-	-	X
*68301-1050	42663-ABB208	42375-0040	208	.240 6.10	5	NONE	TAPE REEL TBD	71133-1000	-	X
68301-1054	42663-ABA154	42375-0002	154	.240 6.10	2	NONE	PK-44743-006	-	-	
68301-1055	42663-ABB5208	42375-0037	208	.240 6.10	2	NONE	PK-44743-006	-	-	
68301-1056	42663-ABB228	42375-0072	228	.240 6.10	2	NONE	PK-44743-006	-	-	X
*68301-1059	42663-AMA154	42375-0214	154	.295 7.49	4	NONE	TAPE REEL TBD	71133-1000	3	X
68301-1065	42663-ABA154	42375-0014	154	.240 6.10	14	NONE	PK-44743-006	-	-	X
68301-1067	42663-ABA154	42375-0016	154	.240 6.10	16	NONE	PK-44743-006	-	-	
68301-1076	42663-ABB208	42375-0044	208	.240 6.10	9	NONE	PK-44743-006	-	-	X
68301-1109	42663-AWA154	42375-0115	154	.320 8.13	10	NONE	PK-44743-006	-	-	X
68301-1111	42663-AWA154	42375-0117	154	.320 8.13	12	NONE	PK-44743-006	-	-	X
68301-1115	42663-AWA154	42375-0121	154	.320 8.13	16	NONE	PK-44743-006	-	-	X
68301-1119	42663-AWA154	42375-0125	154	.320 8.13	20	NONE	PK-44743-006	-	-	X
68301-1069	42663-ABA154	42375-0018	154	.240 6.10	18	NONE	PK-44743-006	-	-	X
68301-1051	42663-AWA154	42375-0107	154	.240 6.10	2	NONE	PK-44743-006	-	-	X
68301-1066	42663-ABA154	42375-0015	154	.240 6.10	15	NONE	PK-44743-006	-	-	X
68301-1129	42663-AWA154	42375-0129	154	.320 8.13	24	NONE	PK-44743-006	-	-	X
68301-1071	42663-ABA154	42375-0020	154	.240 6.10	20	NONE	PK-44743-006	-	-	X
68301-1072	42663-ABA154	42375-0021	154	.240 6.10	21	NONE	PK-44743-006	-	-	X

REVISION: TRANSFER TO SINGAPORE

TITLE:

CUSTOM HEADER 100 CTR
SINGLE ROW / VERTICAL SMT

SHEET NO.

EC: UCP2005-2626
DATE: 06/27/2005

DOCUMENT NUMBER:
SD-68301-001

CREATED / REVISED BY:

JLOWE

CHECKED BY:

ADERR

APPROVED BY:

FSMITH

3



CUSTOM HEADER

68301

* _____ = NOT TOOLED

MATERIAL NO	PIN NO	OPTIONAL SUB ASSY	PLT REF	DIM M MATING	FINAL NO. OF CKTS	VOID CKT NO	PACK PER	PICK & PLACE CAP	CUT PIN CKT NO.	OBSOLETE
68301-1124	42663-BJB208	SEE SD-68301-002	208	.320 8.13	9	8	TAPE REEL TBD	71133-1000	-	X
68301-1156	42663-BXB208	NONE	208	.425 10.80	8	NONE	PK-44743-006	-	-	X
68301-1157	42663-DMB208	NONE	208	.605 15.37	12	NONE	PK-44743-006	-	-	
*68301-1158	42663-ABA154	42375-0006	154	.240 .610	6	NONE	*TAPE&REEL TBD	71133-1000	-	
68301-1117	42663-AWA154	42375-0123	154	.320 8.13	18	NONE	PK-44743-006	-	-	
68301-1159	42663-AWA154	42375-0116	154	.320 8.13	11	NONE	TAPE&REEL PK-68300-001	71133-1000	-	
68301-1023	42663-ABB228	42375-0076	228	.240 6.10	6	NONE	PK-44743-006	-	-	
68301-1113	42663-AWA154	42375-0121	154	.320 8.13	14	NONE	PK-44743-006	-	-	

REVISION: 1	TRANSFER TO SINGAPORE EC: UCP2005-2626 DATE: 06/27/2005	TITLE: CUSTOM HEADER 100 CTR SINGLE ROW / VERTICAL SMT	SHEET NO. 4
DOCUMENT NUMBER: SD-68301-001	CREATED / REVISED BY: JLOWE	CHECKED BY: ADERR	APPROVED BY: FSMITH