

## Peak Sensitivity Wavelength: 880nm

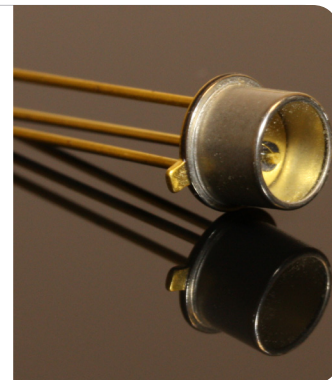
The MTD8600T4-T is a photo transistor in a TO-18 metal can flat top package. It is well suited for high reliability and high sensitivity applications.

### FEATURES

- > High Reliability in Demanding Environments
- > Wide Angular Response
- > Metal Can Package
- > Compact

### APPLICATIONS

- > Optical Switches
- > Optical Sensors
- > Fiber Optical Communications
- > Optical Detectors



## Absolute Maximum Ratings (Ta=25°C)

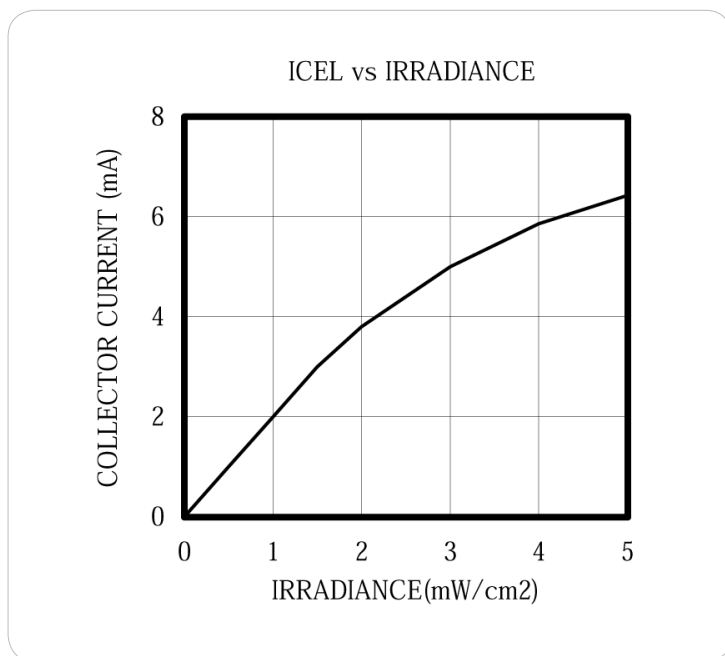
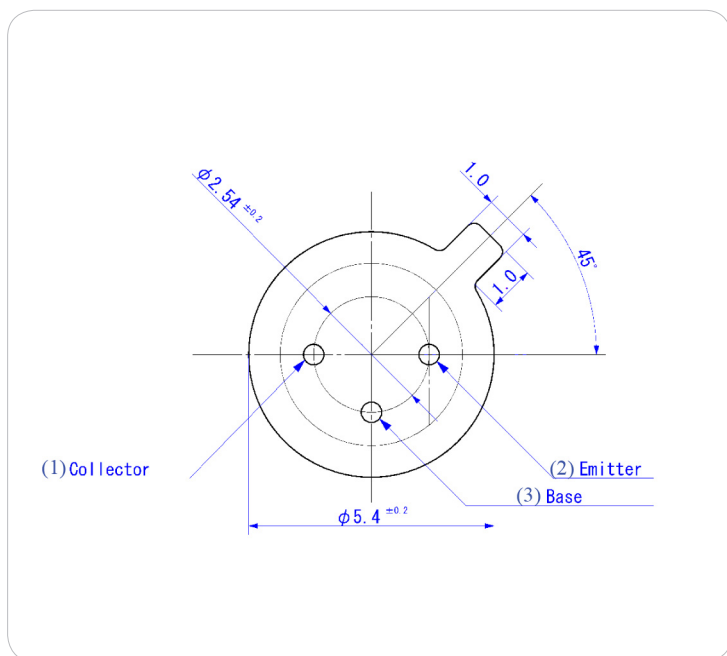
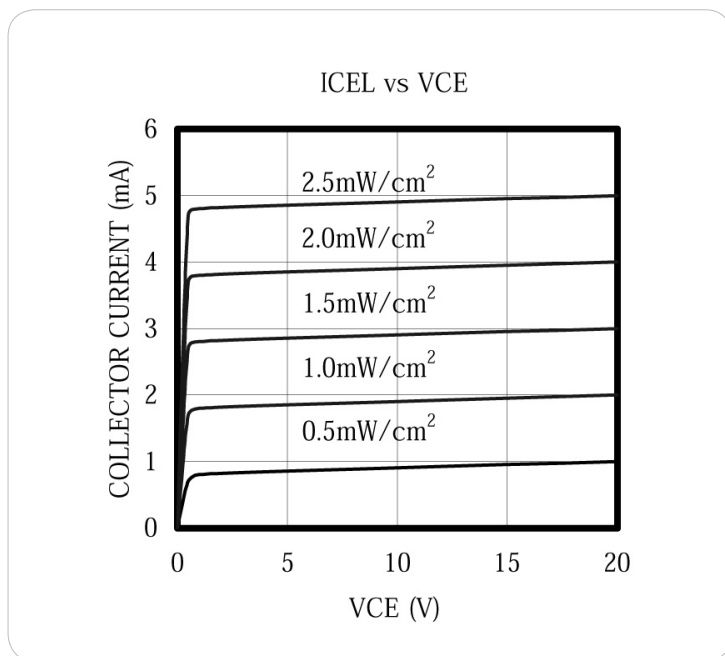
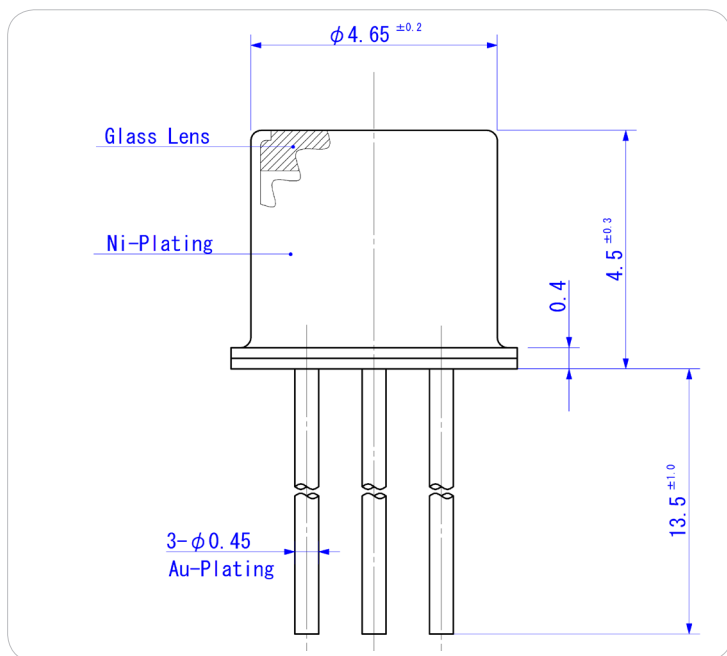


ITEMS	SYMBOL	RATINGS	UNIT	
Collector-Emitter Voltage	Vceo	30	V	
Collector-Base Voltage	Vcbo	30	V	
Emitter-Base Voltage	Vebo	5	V	
Emitter-Collector Voltage	Veco	5	V	
Collector Current	Ic	50	mA	
Collector Power Dissipation	Pc	250	mW	
Operating Temperature Range	Topr	-30 ~ +100	°C	
Storage Temperature Range	Tstg	-40 ~ +125	°C	
Junction Temperature	Tj	125	°C	
Lead Soldering Temperature*1	Tls	260	°C	*1: Time 5 Sec max, Position: Up to 3mm from the body.

## Electrical & Optical Characteristics (Ta = 25°C)

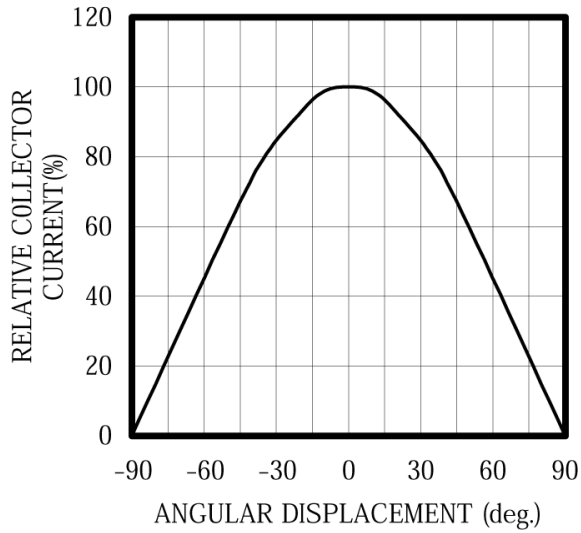
ITEMS	SYMBOL	CONDITIONS	MIN	TYP	MAX	UNIT
Collector Emitter Current	Icel	Vce=20V, Ee=0.5mW/cm <sup>2</sup> *1	--	1.0	--	mA
Collector Dark Current	Iceo	Vce=20V, Ee=0mW/cm <sup>2</sup> *1	--	--	100	nA
C-E Saturation Voltage	VCE(sat)	Ic=0.2mA, Ee=5mW/cm <sup>2</sup> *1	--	0.2	--	V
Spectral Sensitivity	λ	--	--	400~1100	--	nm
Peak Sensitivity Wavelength	λp	--	--	880	--	nm
Switching Time (Rise Time)	Tr	RL=100Ω, Vcc=5V, Ic=0.5mA	--	10.0	--	μS
Switching Time (Fall Time)	Tf	RL=100Ω, Vcc=5V, Ic=0.5mA	--	10.0	--	μS
Angular Response	θ	--	--	±55	--	deg

\*1: Color Temperature=2870°K Standard Tungsten Lamp.

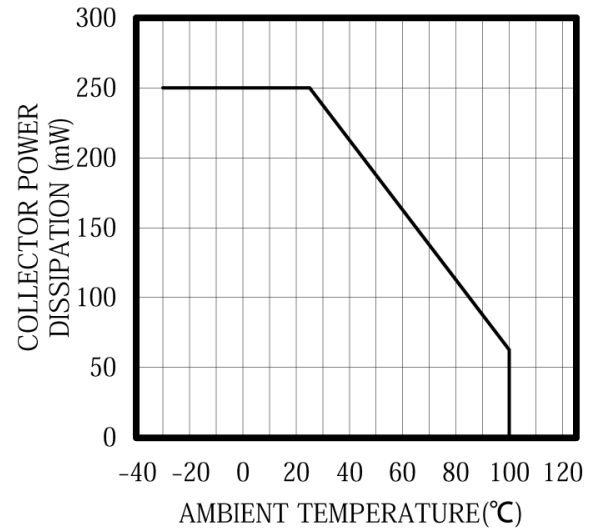


Unit: mm, Tolerance:  $\pm 0.2$

ANGULAR DISPLACEMENT



THERMAL DERATING CURVE



RELATIVE RESPONSE vs  $\lambda$

