

NOTES

1. MATERIAL

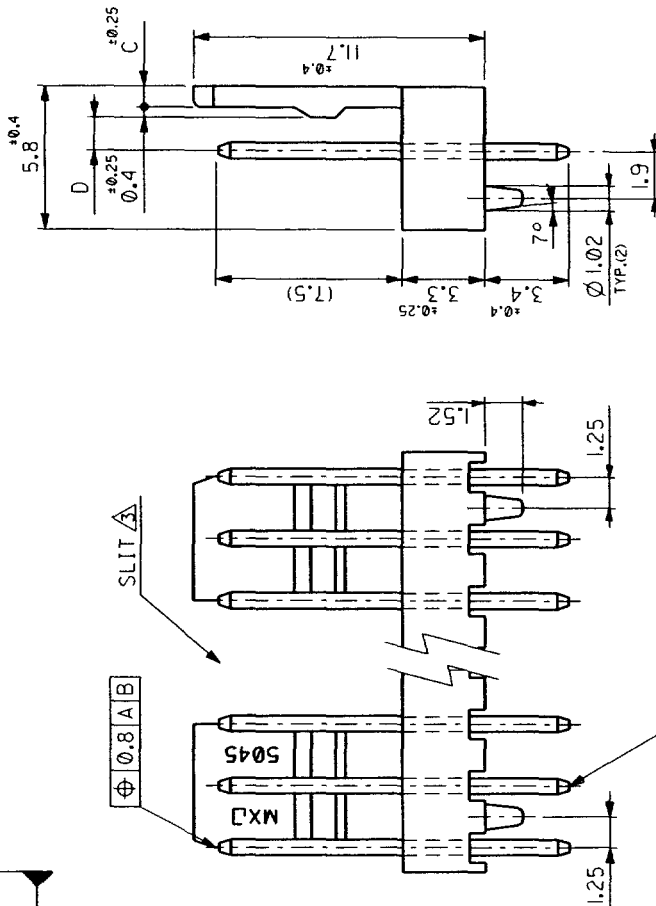
WAFER : 66NYLON UL94V-0

PIN :  $\varnothing$ 0.635 BRASS, TIN OVER COPPER PLATING  
 TO BE APPLIED FOR 6CKT. AND MORE THAN 6CKT.

NO SLIT IS PROVIDED FOR 5CKT. AND LESS THAN 5CKT.

(NON ACCUMULATIVE)

RECOMMENDED P.C. BOARD HOLE DIM.



材料	FINISH	WIRE RANGE	製造外発	DRAWN BY	CHK'D BY	DATE	DR. DATE	APPR'D BY	INENOMOTO	SCALE
モレックス株式会社				K. TOJO	M. FUKUSHIMA	90/4/28	90/4/28			1/5

SEE NOTES		ENG. NO.		REV	
39-31-4164	37.5	5045-16A5	16	SD-5045-NA5	B
39-31-4154	35	-15A5	15		
39-31-4144	32.5	-14A5	14		
39-31-4134	30	-13A5	13		
39-31-4124	27.5	-12A5	12		
39-31-4114	25	-11A5	11		
39-31-4104	22.5	-10A5	10		
39-31-4094	20	-09A5	9		
39-31-4084	17.5	-08A5	8		
39-31-4074	15	-07A5	7		
39-31-4064	12.5	-06A5	6		
39-31-4054	10	-05A5	5		
39-31-4044	7.5	-04A5	4		
39-31-4034	5	-03A5	3		
39-31-4024	2.5	-02A5	2		

THIS DRAWING CONTAINS PROPRIETARY INFORMATION THAT IS PROPRIETARY TO MOLEX/JAPAN AND SHOULD NOT BE USED WITHOUT WRITTEN PERMISSION  
 本圖面はモレックス（株）の所有する権利を認める心で、貴社の許可なく複製を禁止する。 MXJ-B

MOLES02198