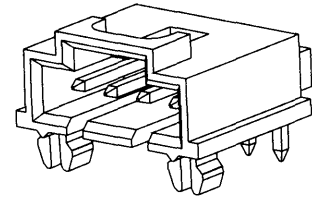


molex® 2.54mm (.100") Pitch SL™

Wire-to-Board Shrouded Header

70551

Single Row, .120" Pocket Right Angle, Split Peg



FEATURES AND SPECIFICATIONS

Features and Benefits

- Sizes 2 to 25 circuits
- PCB locks hold header in place until permanently soldered
- Locking crown secures positive latch connector to header
- Polarization slots guide front ribs of mating connector to prevent pin damage
- Standoffs minimize flux retention
- Vapor phase and IR compatible

Reference Information

Product Specification: PS-70541

Packaging: Tube

UL File No.: E29179

CSA File No.: LR19980

Mates with: 70066, 70066N, 70400 and 70430G

Designed in: Inches

Electrical

Voltage: 250V

Current: 3.0A

Contact Resistance: 15mΩ max.

Dielectric Withstanding Voltage: 1500V

Insulation Resistance: 1000 MΩ min.

Mechanical

Insertion force to PCB: 44.48N (10 lbs.)

Durability: Tin — 25 cycles

Gold — 50 cycles

Physical

Housing: Black glass-filled PCT, UL 94V-0

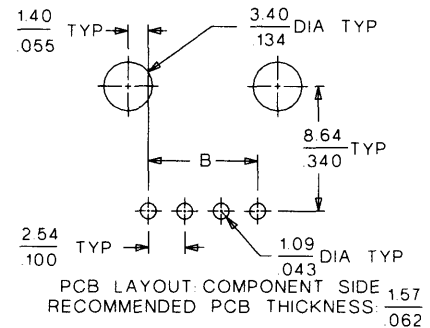
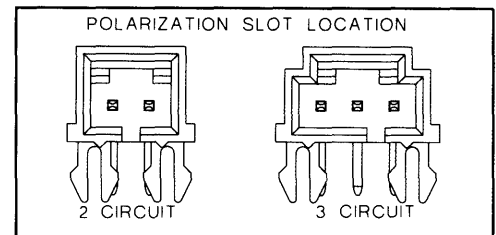
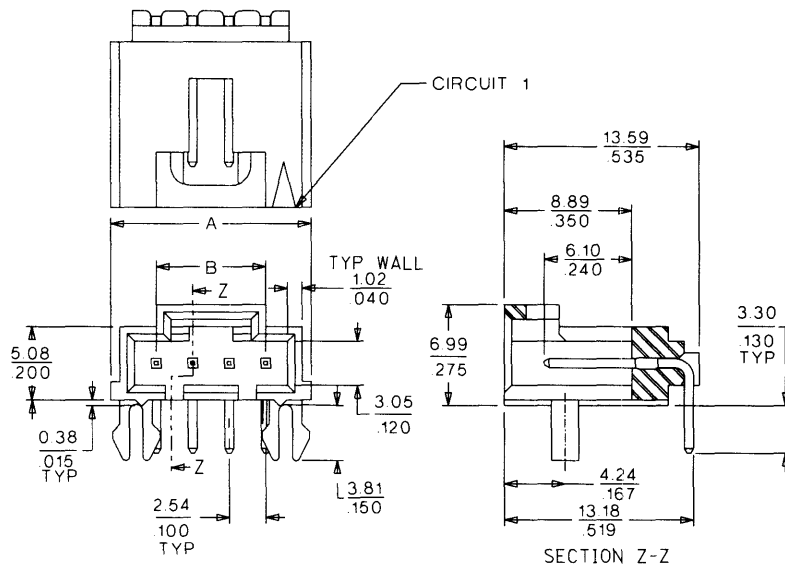
Contact: Phosphor Bronze, .025" square

Plating: See Table

Operating Temperature: -40 to +105°C

2.54mm (.100") Pitch

CATALOG DRAWING (FOR REFERENCE ONLY)



ORDERING INFORMATION AND DIMENSIONS

Circuits	Order No.			Dimension	
	15µ" min. Gold	30µ" min. Gold	150µ" Tin/Lead	A	B
2	70551-0036	70551-0071	70551-0001	8.53 (.336)	2.54 (.100)
3	70551-0037	70551-0072	70551-0002	11.07 (.436)	5.08 (.200)
4	70551-0038	70551-0073	70551-0003	13.61 (.536)	7.62 (.300)
5	70551-0039	70551-0074	70551-0004	16.15 (.636)	10.16 (.400)
6	70551-0040	70551-0075	70551-0005	18.69 (.736)	12.70 (.500)
7	70551-0041	70551-0076	70551-0006	21.23 (.836)	15.24 (.600)
8	70551-0042	70551-0077	70551-0007	23.77 (.936)	17.78 (.700)
9	70551-0043	70551-0078	70551-0008	26.31 (1.036)	20.32 (.800)
10	70551-0044	70551-0079	70551-0009	28.85 (1.136)	22.86 (.900)
11	70551-0045	70551-0080	70551-0010	31.39 (1.236)	25.40 (1.00)
12	70551-0046	70551-0081	70551-0011	33.93 (1.336)	27.94 (1.100)
13	70551-0047	70551-0082	70551-0012	36.47 (1.436)	30.48 (1.200)

Circuits	Order No.			Dimension	
	15µ" min. Gold	30µ" min. Gold	150µ" Tin/Lead	A	B
14	70551-0048	70551-0083	70551-0013	39.01 (1.536)	33.02 (1.300)
15	70551-0049	70551-0084	70551-0014	41.55 (1.636)	35.56 (1.400)
16	70551-0050	70551-0085	70551-0015	44.09 (1.736)	38.10 (1.500)
17	70551-0051	70551-0086	70551-0016	46.63 (1.836)	40.64 (1.600)
18	70551-0052	70551-0087	70551-0017	49.17 (1.936)	43.18 (1.700)
19	70551-0053	70551-0088	70551-0018	51.71 (2.036)	45.72 (1.800)
20	70551-0054	70551-0089	70551-0019	54.25 (2.136)	48.26 (1.900)
21	70551-0055	70551-0090	70551-0020	56.79 (2.236)	50.80 (2.000)
22	70551-0056	70551-0091	70551-0021	59.33 (2.336)	53.34 (2.100)
23	70551-0057	70551-0092	70551-0022	61.87 (2.436)	55.88 (2.200)
24	70551-0058	70551-0093	70551-0022	64.41 (2.536)	58.42 (2.300)
25	70551-0059	70551-0094	70551-0024	66.95 (2.636)	60.96 (2.400)