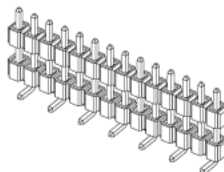
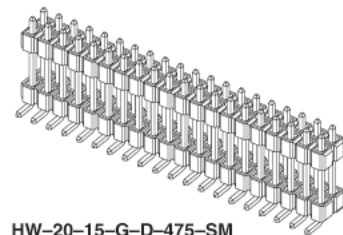




HW-14-08-S-S-350-SM



HW-20-15-G-D-475-SM



Surface
SMT
Mount

BOARD STACKER HW SERIES

Mates with:
SSW, SSQ, ESW, ESQ,
CES, SLW, BSW, BCS,
SSM, IDSS, IDSD, HLE

SPECIFICATIONS

For complete specifications and recommended PCB layouts see www.samtec.com?HW

Insulator Material:

Top: Natural LCP

Bottom: Black LCP

Terminal Material:

Phosphor Bronze

Plating:

Au or Sn over

50µ" (1,27µm) Ni

Current Rating:

3A continuous

Operating Temp Range:

-55°C to +125°C with Gold

-55°C to +105°C with Tin

RoHS Compliant:

Yes

Processing:

Max Processing Temp:

230°C for 60 seconds, or

260°C for 20 seconds 3x

Lead-Free Solderable:

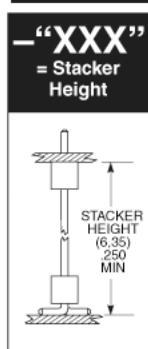
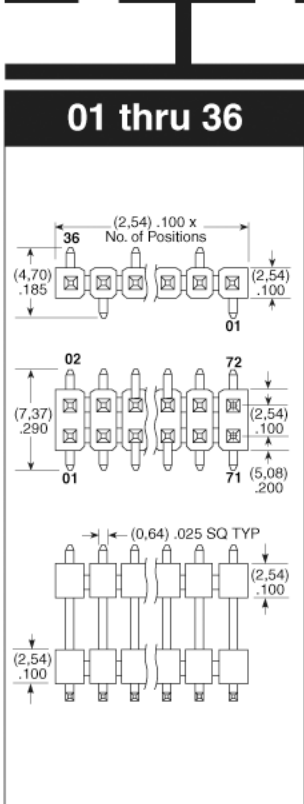
Yes

SMT Lead Coplanarity:

(0,15mm) .006" max



HW	NO. PINS PER ROW	LEAD STYLE	PLATING OPTION	ROW OPTION	STACKER HEIGHT	SM	OTHER OPTIONS
-----------	-------------------------	-------------------	-----------------------	-------------------	-----------------------	-----------	----------------------



"XX"
= Polarized
Specify omitted pin position

-A
= Alignment Pin
Double row only
(Metal or plastic at Samtec discretion)

-TR
= Tape & Reel Packaging (27 positions Max.)
(Not Available on Lead Styles 10, 11, 12 & 20)

Specify LEAD STYLE from chart

LEAD STYLE	OAL (SMT)
-08	(11,81) .465
-09	(16,89) .665
-10	(19,43) .765
-11	(21,97) .865
-12	(24,51) .965
-15	(14,35) .565
-16	(9,65) .390
-17	(10,54) .415
-20	(27,05) 1.065

APPLICATION SPECIFIC OPTION

Locking Clip available with double row -SM.
Call Samtec.

-F
= Gold flash on contact, Matte Tin on tail

-L
= 10µ" (0,25µm) Gold on contact area of longer tail, Matte Tin on tail

-G
= 10µ" (0,25µm) Gold on contact area of longer tail, Gold flash on balance

-T
= Matte Tin

-S
= 30µ" (0,76µm) Gold on contact area of longer tail, Matte Tin on tail

Note: These Series are non-standard, non-returnable.

Due to technical progress, all designs, specifications and components are subject to change without notice.

WWW.SAMTEC.COM