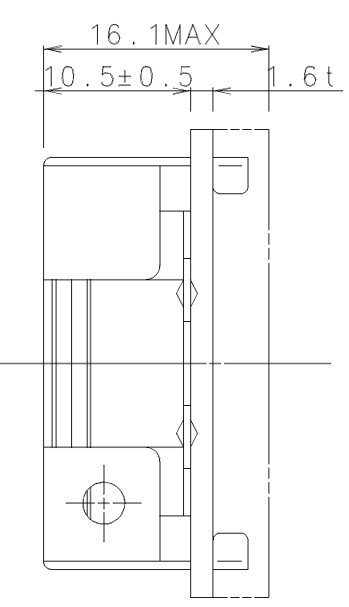
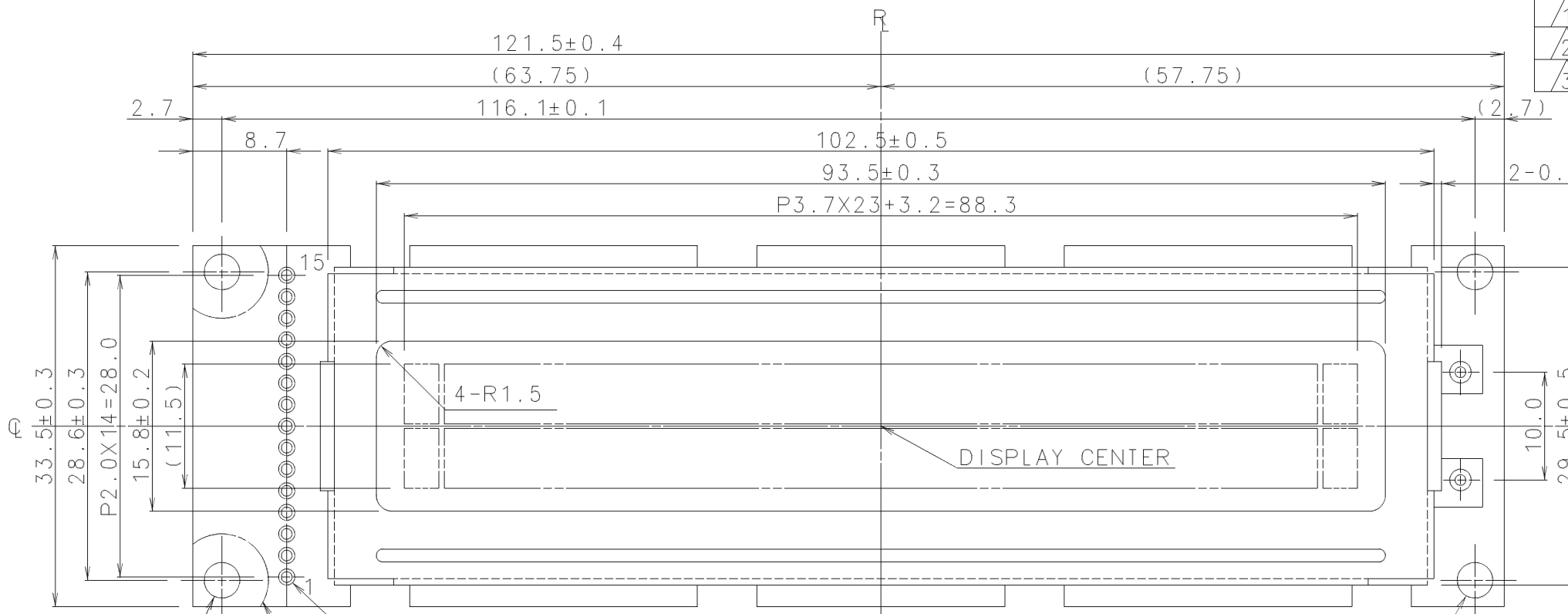
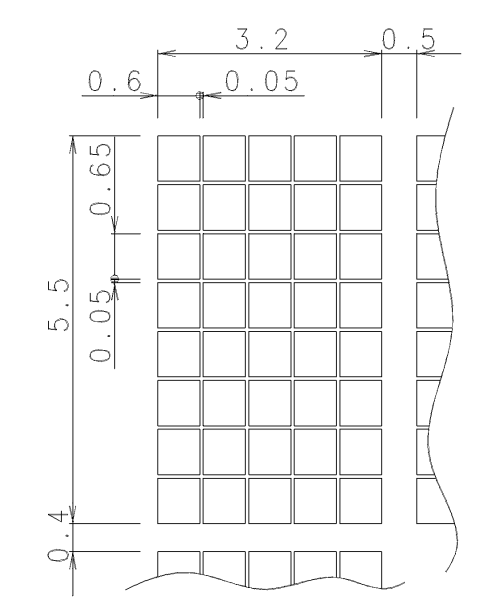
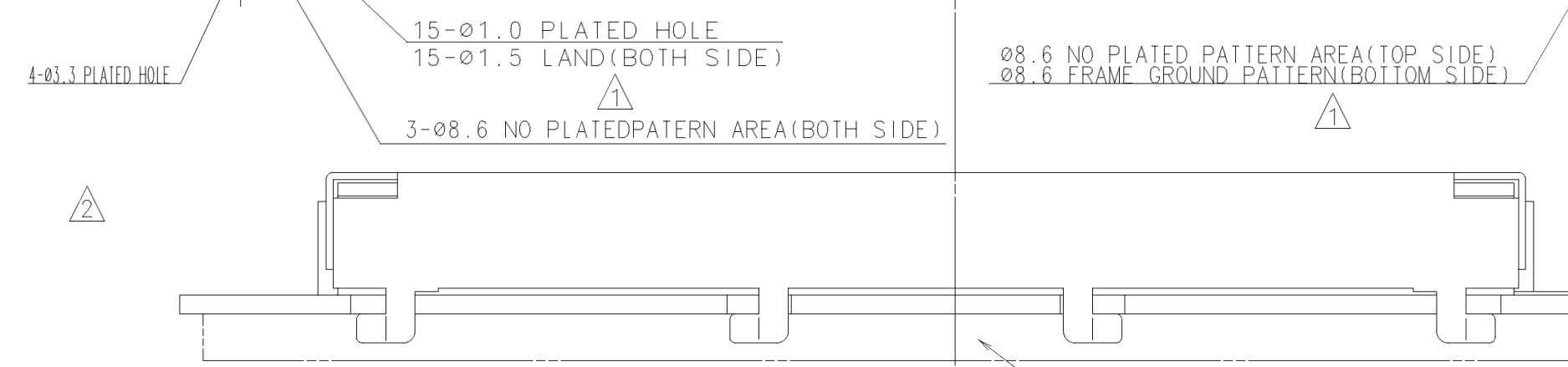




ISSUE	REVISIONS	DRAWN	APPROVED	DATE
1	EXPANDED NO PATTERN AREA	M.M	Y.T	Sep 05'90
2	JAPANESE-ENGLISH TRANSLATION	M.M	Y.T	Oct 25'94
3	CORRECTION	T.K	Y.T	Jun 05'98

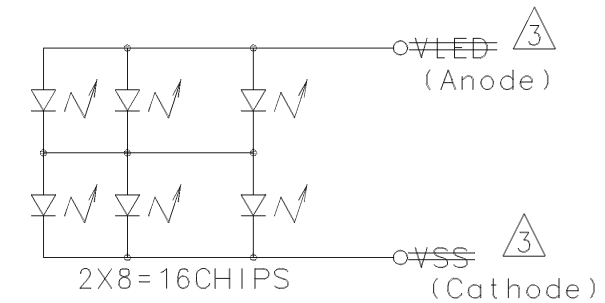


DOTS DETAIL (Scale=10:1)



PIN ASSIGNMENT

Pin No.	SYMBOL	Pin No.	SYMBOL
1	VSS	9	DB2
2	VCC	10	DB3
3	VEE	11	DB4
4	RS	12	DB5
5	R/W	13	DB6
6	E	14	DB7
7	DB0	15	VLED
8	DB1		



LED BACKLIGHT UNIT

MEASURE	TOLERANCE			THIRD ANGLE PROJECTION	DATE Sep 05'91	OPTREX CORPORATION
	A	B	C			
L≤16	±0.1	±0.3	±1	UNIT mm	APPROVED Y.TAKADA	TITLE DIMENSIONAL OUTLINE
16<L≤63	±0.2	±0.5	±1.5			
63<L≤250	±0.3	±0.8	±2	SCALE 2:1	CHECKED N.WADA	CODE DMC-50149NYU-LY-B
250<L≤500	±0.5	±1.2	±3			
500<L	±0.8	±2	±4	DRAWN T.KURODA	DWC NO	UE-33623C
ANGLE	±1°	±5°	±10°			