

**PLEASE CHECK WWW.MOLEX.COM FOR LATEST PART INFORMATION**

**Part Number:** [0533951479](#)  
**Status:** **Active**  
**Description:** 1.00mm (.039") Pitch Plug, Surface Mount, Dual Row, Vertical, 8.00mm (.315")/10.00mm (.394") Mating Height, Lead-free, 140 Circuits

**Documents:**

[3D Model](#) [Product Specification PS-52584-003 \(PDF\)](#)  
[Drawing \(PDF\)](#) [RoHS Certificate of Compliance \(PDF\)](#)

**General**

Product Family	PCB Headers
Series	<a href="#">53395</a>
Application	Board-to-Board
Product Name	N/A

**Physical**

Breakaway	No
Circuits (Loaded)	140
Color - Resin	White
Durability (mating cycles max)	50
First Mate / Last Break	No
Glow-Wire Compliant	No
Guide to Mating Part	No
Keying to Mating Part	None
Lock to Mating Part	None
Mated Height (in)	0.315 In, 0.394 In
Mated Height (mm)	10.00 mm, 8.00 mm
Material - Metal	Phosphor Bronze
Material - Plating Mating	Gold
Material - Plating Termination	Tin
Number of Rows	2
Orientation	Vertical
PCB Locator	Yes
PCB Retention	None
PCB Thickness Recommended (in)	0.040 In
PCB Thickness Recommended (mm)	1.00 mm
Packaging Type	Tube
Pitch - Mating Interface (in)	0.039 In
Pitch - Mating Interface (mm)	1.00 mm
Polarized to PCB	No
Shrouded	Fully
Stackable	No
Temperature Range - Operating	-55°C to +85°C
Termination Interface: Style	Surface Mount

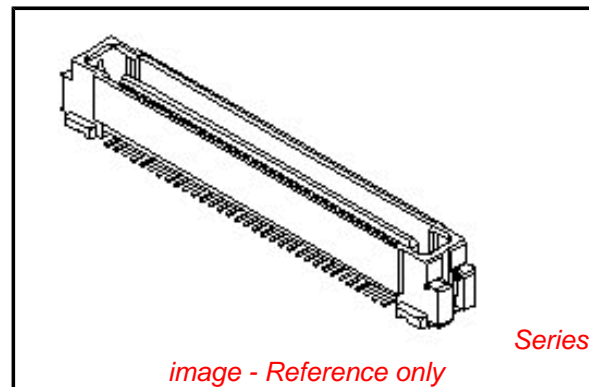
**Electrical**

Current - Maximum per Contact	0.5A
Voltage - Maximum	100V

**Material Info**

**Reference - Drawing Numbers**

Product Specification	PS-52584-003, RPS-52584-010
Sales Drawing	SD-53395-002, SD-53395-003



*image - Reference only*

**EU RoHS**

**ELV and RoHS Compliant**  
**REACH SVHC**  
 Not Reviewed  
**Halogen-Free Status**

**China RoHS**



**Not Reviewed**

**Need more information on product environmental compliance?**

Email [productcompliance@molex.com](mailto:productcompliance@molex.com)  
 For a multiple part number RoHS Certificate of Compliance, [click here](#)

Please visit the [Contact Us](#) section for any non-product compliance questions.

**Search Parts in this Series**

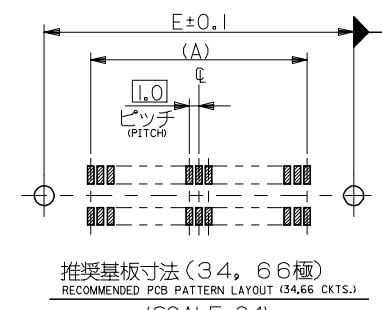
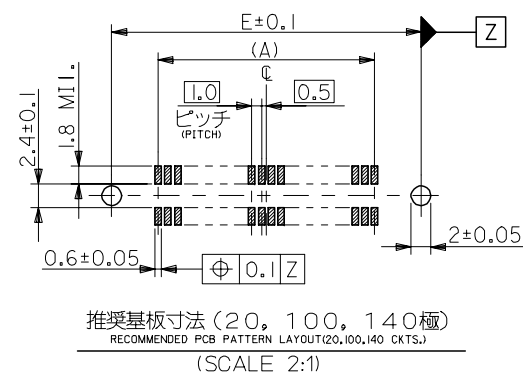
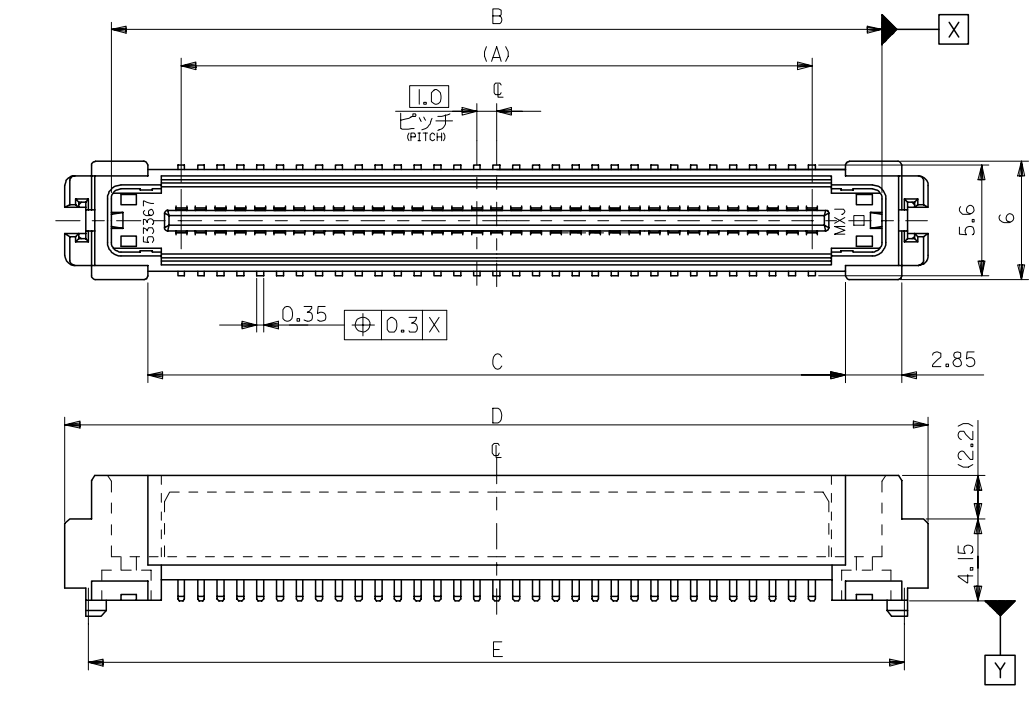
[53395Series](#)

**Mates With**

PCB Receptacle [52584](#) , [52602](#)

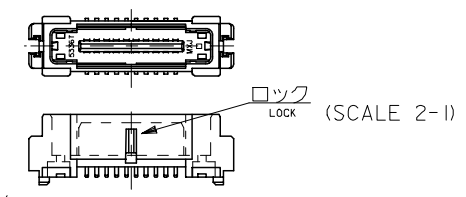
This document was generated on 04/21/2010

**PLEASE CHECK [WWW.MOLEX.COM](http://WWW.MOLEX.COM) FOR LATEST PART INFORMATION**



注) NOTES

- 材質 MATERIAL  
ハウジング: ガラス入りLCP, 白色, UL94V-0  
HOUSING: G.F.LCP, WHITE, UL94V-0  
ターミナル: 燐青銅 (t=0.2)  
TERMINAL: PHOSPHOR BRONZE
- メッキ仕様 PLATING  
接点部: 金メッキ0.25 μmMIN.  
CONTACT AREA: GOLD 0.25 μmMIN.  
半田付け部: 錫メッキ1.0 μmMIN.  
SOLDER TAIL AREA: TIN 1.0 μmMIN.  
下地メッキ: ニッケルメッキ2.0 μmMIN.  
UNDER-PLATING: NICKEL 2.0 μmMIN.
- 推奨基板厚 RECOMMENDED PCB THICKNESS  
1.0±0.1mm MIN.
- テールのバツキ寸法 TAIL COPLANARITY  
テールは、Y面を基準とし、上へ0.02MAX、  
下へ0.13MAX.とする。  
TAIL COPLANARITY TO BE 0.02MAX. UPWARD AND 0.13MAX. DOWNWARD FROM Y-DATUM PLANE.
- ロックは、20, 34極に設置する。  
LOCK TO BE ADDED TO 20 AND 34 CKTS.
- 梱包 PACKAGING  
本製品はスティック梱包とし梱包後の MATERIAL NO. は  
53395-\*\*-79とする。  
THIS PRODUCT IS TO BE PACKED IN TUBE. MATERIAL NO.: 53395-\*\*-79
- 同一基板内に複数個 (2ヶ以上) の使用は避けてください。  
MXJ DOES NOT RECOMMEND THE USAGE OF TWO OR MORE OF THESE CONNECTORS  
BETWEEN A SINGLE PAIR OF P.C.B.OARD.
- 本製品は 53395\*\*-\*0 の鉛フリー品である。  
THIS PRODUCT IS LEAD FREE OF 53395\*\*-\*0.



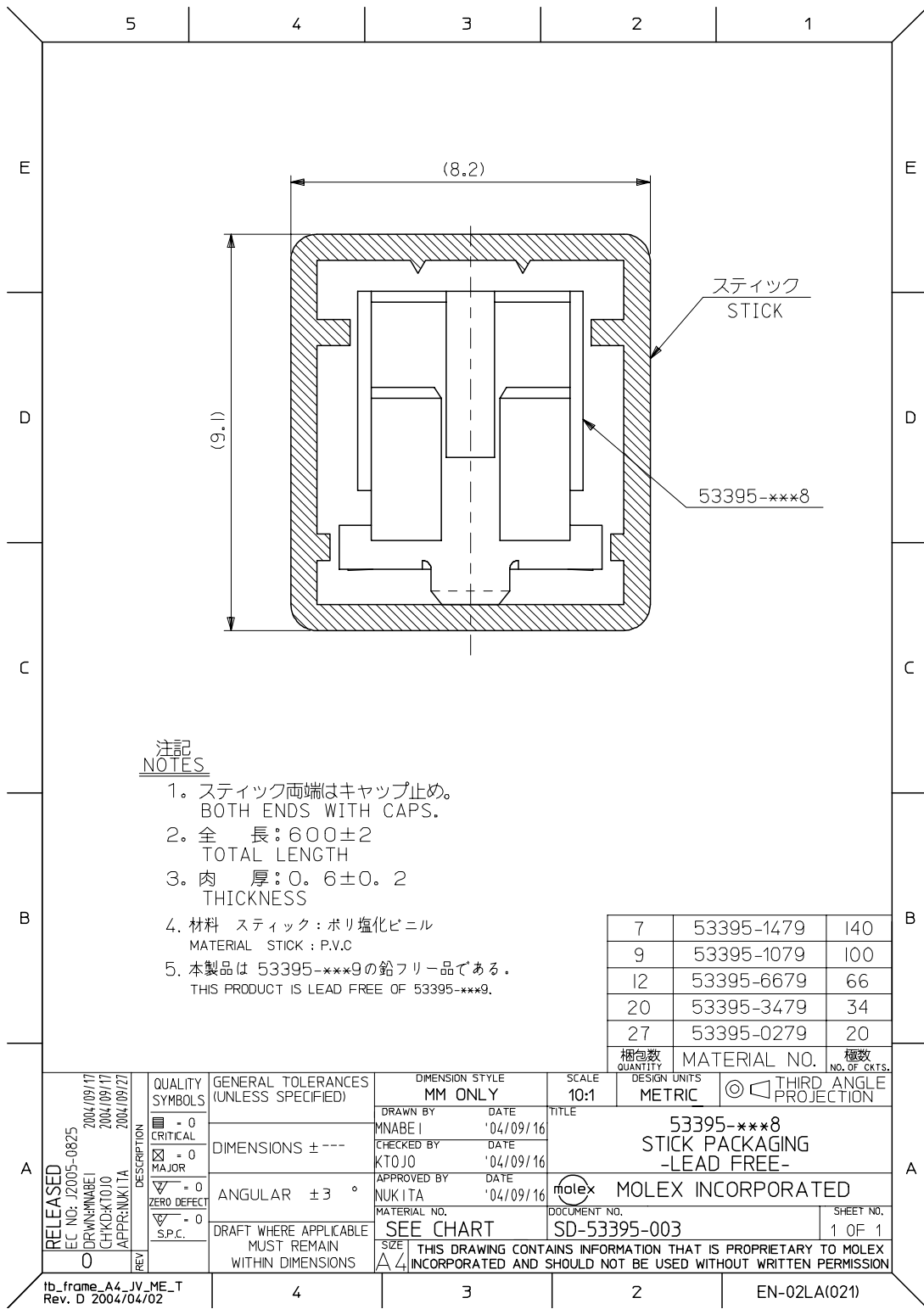
78.4	80.8	72.4	76.02	69	53395-1408	140
58.4	60.8	52.4	56.02	49	53395-1008	100
41.4	43.8	35.4	39.02	32	53395-0668	66
25.4	27.8	19.4	23.02	16	53395-0348	34
18.4	20.8	12.4	16.02	9	53395-0208	20
E	D	C	B	(A)	MATERIAL NO.	極数 NO. OF CKTS.

材料 MATERIAL	注参照 SEE NOTES
仕上げ FINISH	注参照 SEE NOTES
適用電線範囲 WIRE RANGE	-#-
被覆外径 INS. RANGE	-#-

REV	DESCRIPTION
0	RELEASED EC NO: J2005-0825 DRAWN: MNABE CHKD: KTOJO APP: NUKITA

GENERAL TOLERANCES (UNLESS SPECIFIED)	
10 UNDER	±0.2
10 OVER 30 UNDER	±0.25
30 OVER	±0.3
ANGULAR	±3 °
DRAFT WHERE APPLICABLE MUST REMAIN WITHIN DIMENSIONS	

DIMENSION STYLE MM ONLY		SCALE 4:1	DESIGN UNITS METRIC	THIRD ANGLE PROJECTION
DRAWN BY MNABE	DATE '04/09/16	TITLE 1.0 B-T0-B S/T PLUG HSG ASSY -LEAD FREE-		
CHECKED BY KTOJO	DATE '04/09/16	MOLEX INCORPORATED		
APPROVED BY NUKITA	DATE '04/09/16	MATERIAL NO. SEE CHART	DOCUMENT NO. SD-53395-002	SHEET NO. 1 OF 1
SIZE A3 THIS DRAWING CONTAINS INFORMATION THAT IS PROPRIETARY TO MOLEX INCORPORATED AND SHOULD NOT BE USED WITHOUT WRITTEN PERMISSION				



**注記**  
**NOTES**

1. スティック両端はキャップ止め。  
BOTH ENDS WITH CAPS.
2. 全 長: 600±2  
TOTAL LENGTH
3. 肉 厚: 0.6±0.2  
THICKNESS
4. 材料 スティック: ポリ塩化ビニル  
MATERIAL STICK: P.V.C
5. 本製品は 53395-\*\*\*9の鉛フリー品である。  
THIS PRODUCT IS LEAD FREE OF 53395-\*\*\*9.

7	53395-1479	140
9	53395-1079	100
12	53395-6679	66
20	53395-3479	34
27	53395-0279	20

RELEASED EC NO: J2005-0825 DRWN: MNABEI 2004/09/17 CHKD: KTOJO 2004/09/17 APPR: NUKITA 2004/09/17 0	QUALITY SYMBOLS ■ = 0 CRITICAL □ = 0 MAJOR ▽ = 0 ZERO DEFECT ▽ = 0 S.P.C.	GENERAL TOLERANCES (UNLESS SPECIFIED) DIMENSIONS ± --- ANGULAR ± 3 ° DRAFT WHERE APPLICABLE MUST REMAIN WITHIN DIMENSIONS	DIMENSION STYLE <b>MM ONLY</b> DRAWN BY: MNABEI DATE: '04/09/16 CHECKED BY: KTOJO DATE: '04/09/16 APPROVED BY: NUKITA DATE: '04/09/16 MATERIAL NO. SEE CHART	SCALE 10:1 DESIGN UNITS METRIC THIRD ANGLE PROJECTION	TITLE <b>53395-***8          STICK PACKAGING          -LEAD FREE-</b> MOLEX INCORPORATED DOCUMENT NO. SD-53395-003 SHEET NO. 1 OF 1
	53395-***8 STICK PACKAGING -LEAD FREE- MOLEX INCORPORATED				
	THIS DRAWING CONTAINS INFORMATION THAT IS PROPRIETARY TO MOLEX INCORPORATED AND SHOULD NOT BE USED WITHOUT WRITTEN PERMISSION				
	SIZE A4				