



LR1121B

CMOS IC

HIGH RIPPLE-REJECTION LDO REGULATOR

DESCRIPTION

The UTC **LR1121B** is CMOS-based voltage regulator ICs with high output voltage accuracy, extremely low current, low ON-resistance, and high Ripple Rejection.

An ON/OFF circuit enables the output to be turned off, ensuring a long battery life. a built-in low on-resistance transistor provides a low dropout voltage and large output current, and a built-in overcurrent protector prevents the load current from exceeding the current capacitance of the output transistor.

The line transient response and load transient of the UTC **LR1121B** is excellent.

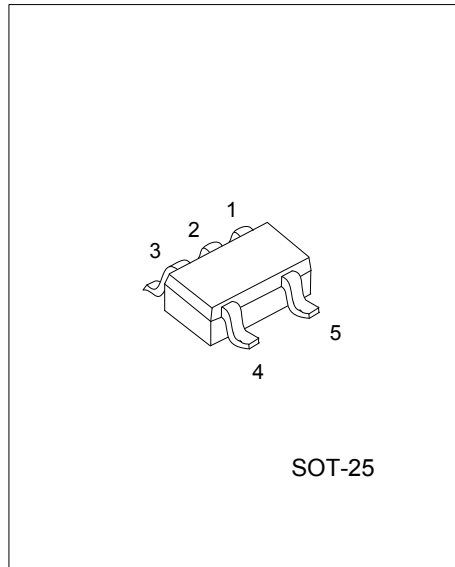
FEATURES

- * Ultra-Low Supply Current :
During Operation: 30µA TYP.
During Standby: 0.1µA Typ.
- * Output Voltage: 2.1V ~ 5.5V, Selectable in 0.1 V Steps.
- * High Output Voltage Accuracy: ±2.0%
- * Low Dropout Voltage: 180 mV Typ. (2.8 V Output Product, I_{OUT} = 100 mA)
- * High Ripple Rejection: 70 dB TYP. (@ 1.0 kHz)
- * Low Temperature-Drift Coefficient of Output Voltage: ±100ppm/°C TYP.
- * High Peak Current Capability: 150 mA Output is Possible (@ V_{IN} ≥ V_{OUT(S)} + 1.0 V)

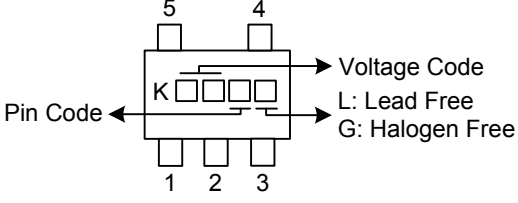
ORDERING INFORMATION

Ordering Number		Package	Packing
Lead Free	Halogen Free		
LR1121BL-xx-AF5-A-R	LR1121BG-xx-AF5-A-R	SOT-25	Tape Reel
LR1121BL-xx-AF5-B-R	LR1121BG-xx-AF5-B-R	SOT-25	Tape Reel

<p>LR1121BL-xx-AF5-A-R</p> <p>(1)Packing Type (2)Pin Code (3)Package Type (4)Output Voltage Code (5)Lead Free</p>	<p>(1) R: Tape Reel (2) refer to Pin Description (3) AF5: SOT-25 (4) xx: refer to Marking Information (5) G: Halogen Free, L: Lead Free</p>
---	---



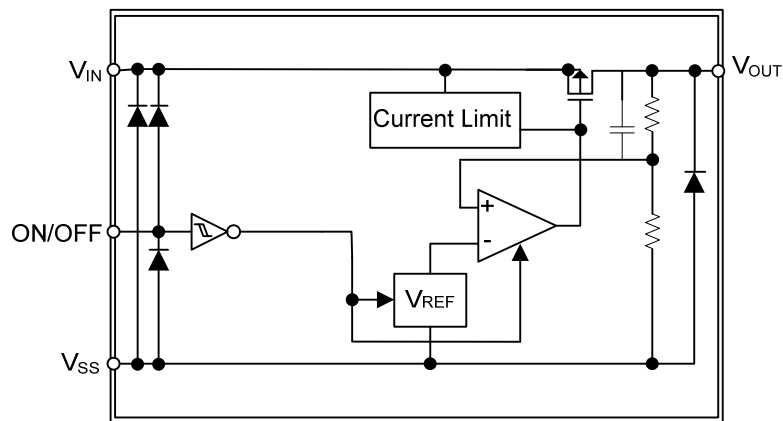
MARKING INFORMATION

PACKAGE	VOLTAGE CODE				MARKING
SOT-25	21:2.1V	30:3.0V	40:4.0V	50:5.0V	
	22:2.2V	31:3.1V	41:4.1V	51:5.1V	
	23:2.3V	32:3.2V	42:4.2V	52:5.2V	
	24:2.4V	33:3.3V	43:4.3V	53:5.3V	
	25:2.5V	34:3.4V	44:4.4V	54:5.4V	
	26:2.6V	35:3.5V	45:4.5V	55:5.5V	
	27:2.7V	36:3.6V	46:4.6V		
	28:2.8V	37:3.7V	47:4.7V		
	2J:2.85V	38:3.8V	48:4.8V		
	29:2.9V	39:3.9V	49:4.9V		

PIN DESCRIPTION

PIN NO.		SYMBOL	DESCRIPTION
A	B		
5	1	V_{OUT}	Output pin
2	2	V_{SS}	GND pin
1	3	V_{IN}	Input pin
3	4	ON/OFF	Chip enable pin
4	5	NC*	No connection (The NC pin is electrically open or connected to V_{IN} or V_{SS} .)

BLOCK DIAGRAM



■ ABSOLUTE MAXIMUM RATINGS (T_A=25°C)

PARAMETER	SYMBOL	RATINGS	UNIT
Input Voltage	V _{IN}	7	V
	V _{ON/OFF}	0.3 ~ V _{IN} +0.3	V
Output Voltage	V _{OUT}	-0.3 ~ V _{IN} +0.3	V
Power Dissipation	P _D	280	mW
Junction Temperature	T _J	125	°C
Operating Temperature	T _{OPR}	-40 ~ +85	°C
Storage Temperature	T _{STG}	-40 ~ +125	°C

Note: Absolute maximum ratings are those values beyond which the device could be permanently damaged. Absolute maximum ratings are stress ratings only and functional device operation is not implied.

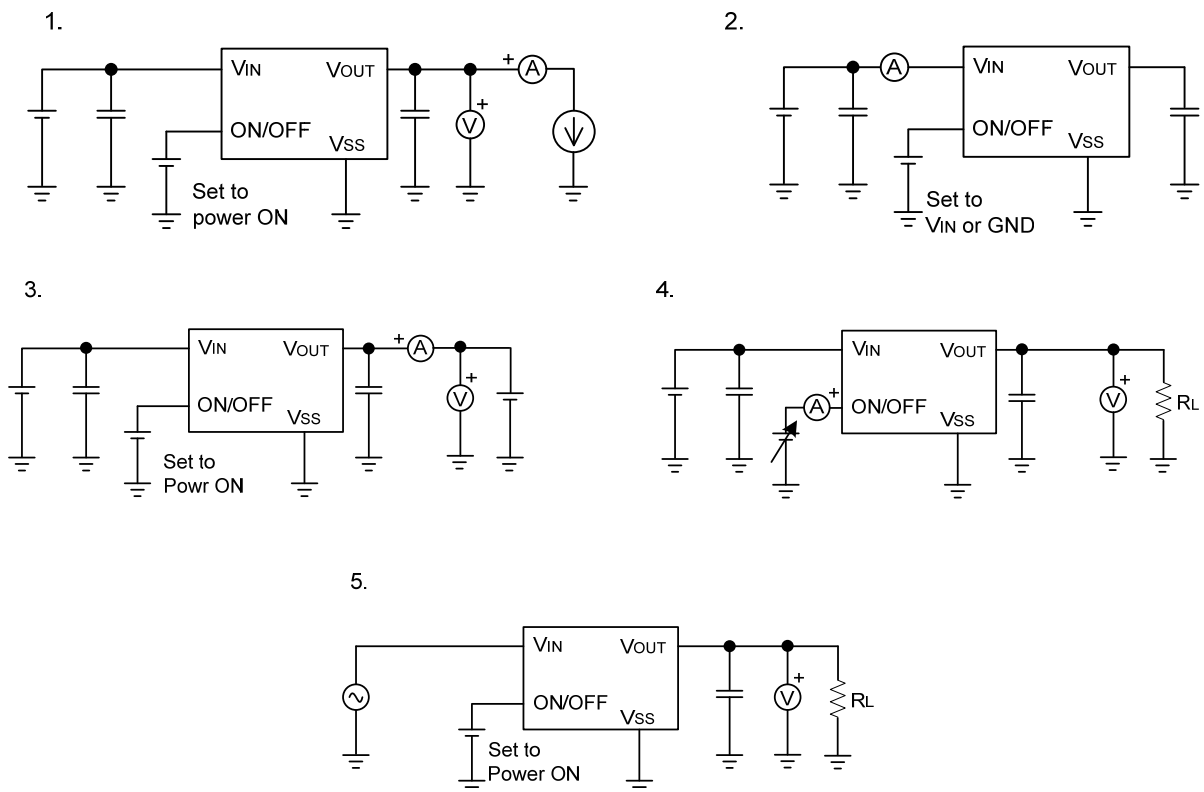
■ ELECTRICAL CHARACTERISTICS (T_A=25°C, unless otherwise specified.)

PARAMETER	SYMBOL	TEST CIRCUIT	TEST CONDITIONS	MIN	TYP	MAX	UNIT
Output Voltage	V _{OUT}	1	V _{IN} =V _{OUT} +1.0V, I _{OUT} =30mA	V _{OUT} ×0.98		V _{OUT} ×1.02	V
Output Current	I _{OUT}	3	V _{IN} ≥ V _{OUT} +1.0V	200			mA
Input Voltage	V _{IN}			2.0		7	V
Line Regulation	$\frac{\Delta V_{OUT(LINE)}}{\Delta V_{IN} \times V_{OUT}}$	1	V _{OUT} +0.5V ≤ V _{IN} ≤ 7V I _{OUT} =30mA		0.04	0.2	%/V
Load Regulation	ΔV _{OUT(LOAD)}	1	V _{IN} =V _{OUT} +1.0V 1.0mA ≤ I _{OUT} ≤ 80mA		15	40	mV
Output Voltage Temperature Coefficient	$\frac{\Delta V_{OUT}}{\Delta T_A \times V_{OUT}}$	1	V _{IN} =V _{OUT} +1.0V, I _{OUT} =30mA -40°C ≤ T _A ≤ 85°C		±100		ppm/°C
Supply Current	I _{SS1}	2	V _{IN} =V _{OUT} +1.0V, ON/OFF pin=ON, no load		30	65	μA
Supply Current During standby	I _{SS2}	2	V _{IN} =V _{OUT} +1.0V, ON/OFF pin=OFF, no load		0.1	1.0	
Short Circuit Current	I _{SHORT}	3	V _{IN} =V _{OUT} +1.0V, ON/OFF pin=ON, V _{OUT} =0V		230		mA
Shutdown Pin Input Voltage	High	V _{SH}	4	V _{IN} =V _{OUT} +1.0V, R _L =10KΩ	1.6		V _{IN}
	Low	V _{SL}	4	V _{IN} =V _{OUT} +1.0V, R _L =10KΩ	0		0.3
Shutdown Pin Input Current	High	I _{SH}	4	V _{IN} =7V, V _{ON/OFF} = V _{IN}	-0.1		0.1
	Low	I _{SL}	4	V _{IN} =7V, V _{ON/OFF} = V _{SS}	-0.1		0.1
Ripple Rejection	RR	5	V _{IN} =V _{OUT} +1.0V, f=1.0kHz Ripple 0.5Vp-p		70		dB

■ ELECTRICAL CHARACTERISTICS OF DROPOUT VOLTAGE (T_A=25°C)

Output Voltage V _{OUT} (V)	V _D (Dropout Voltage)				
	Condition	MIN	TYP	MAX	UNIT
2.1V ≤ V _{OUT(S)} ≤ 2.4V	I _{OUT} =100mA		0.22	0.70	V
2.5V ≤ V _{OUT(S)} ≤ 2.7V			0.20	0.35	V
2.8V ≤ V _{OUT(S)} ≤ 3.3V			0.18	0.30	V
3.4V ≤ V _{OUT(S)} ≤ 5.5V			0.15	0.26	V

■ TEST CIRCUIT



Note:

Input capacitor (C_{IN}): 1.0 μF or more

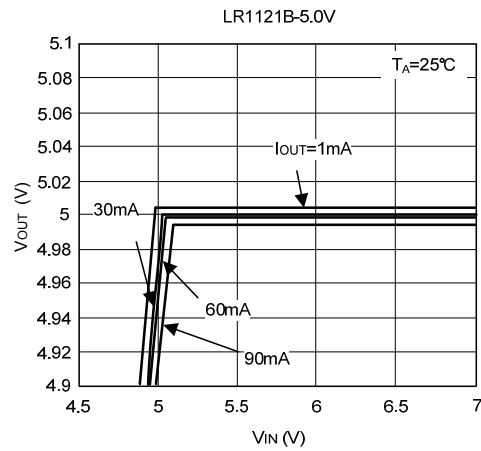
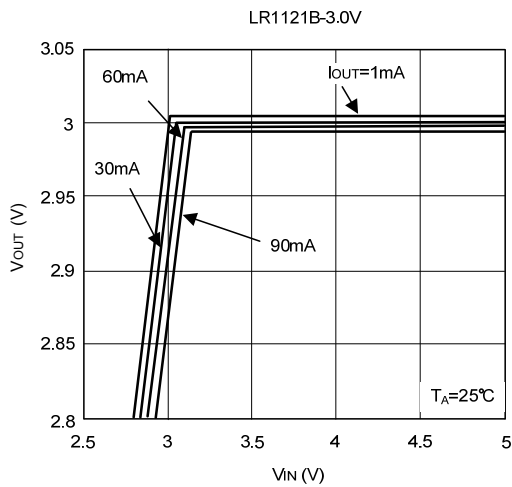
Output capacitor (C_L): 2.2 μF or more (tantalum capacitor)

■ SELECTION OF OUTPUT CAPACITOR (C_L)

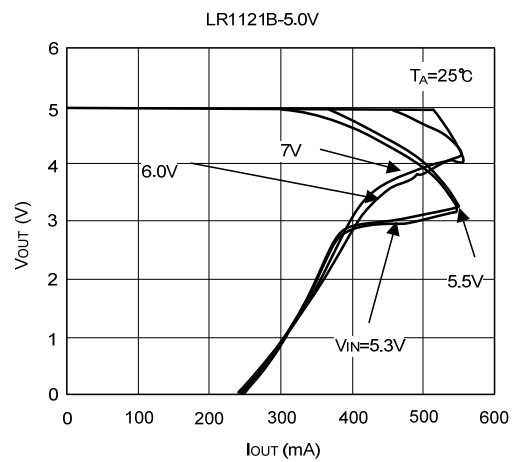
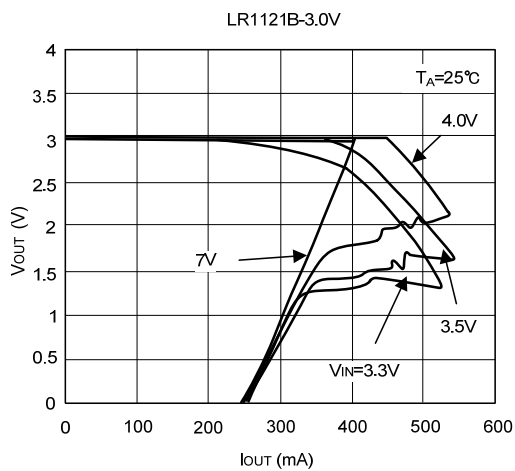
In this IC, phase compensation and the output capacitor is made for securing stable operation even if the load current is varied. Therefore, always place a capacitor (C_L) of 2.2 μF or more between V_{OUT} and V_{SS} pins. Using a capacitor whose ESR is outside the optimum range (approximately 0.5 ~ 5 Ω), whether larger or smaller, may cause an unstable output, resulting in oscillation. For this reason, a tantalum electrolytic capacitor is recommended.

■ TYPICAL CHARACTERISTICS

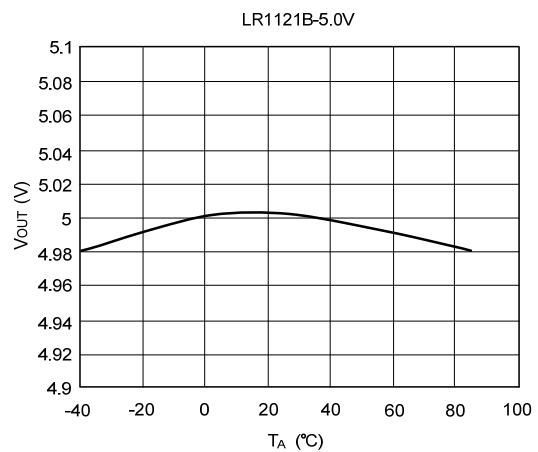
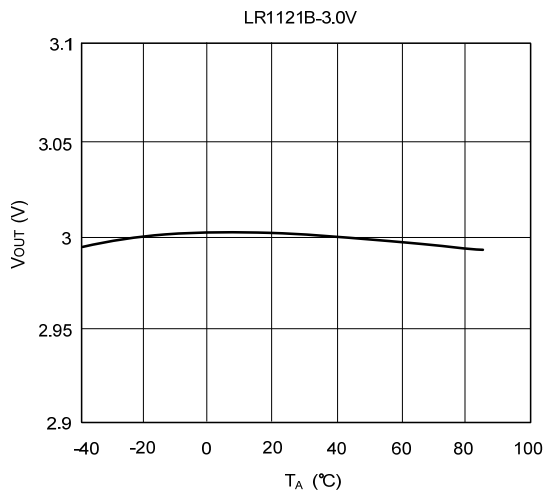
(1) Output voltage vs. Input voltage



(2) Output Voltage vs. Output current

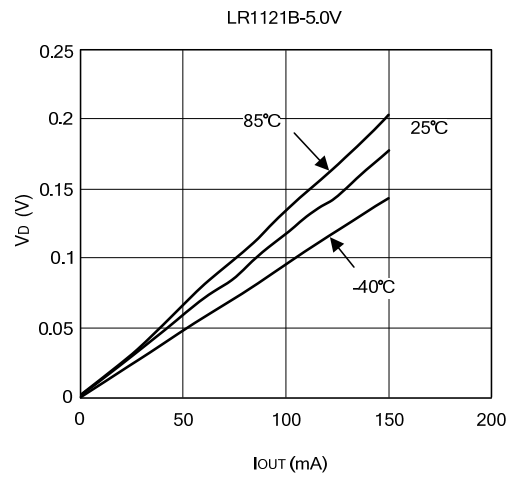
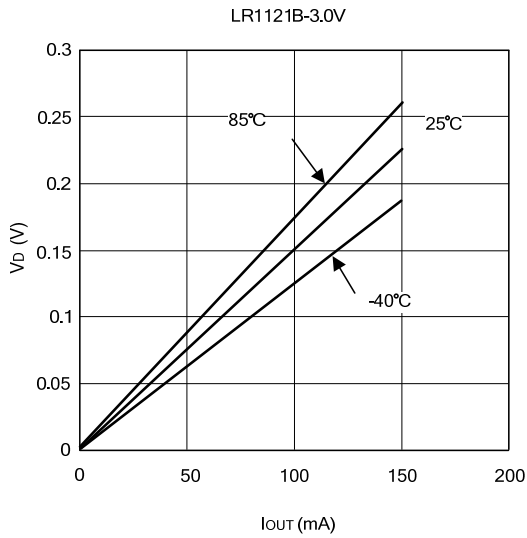


(3) Output voltage vs. Ambient temperature

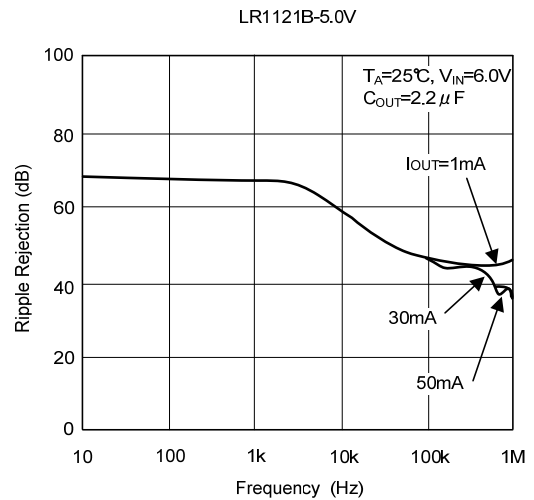
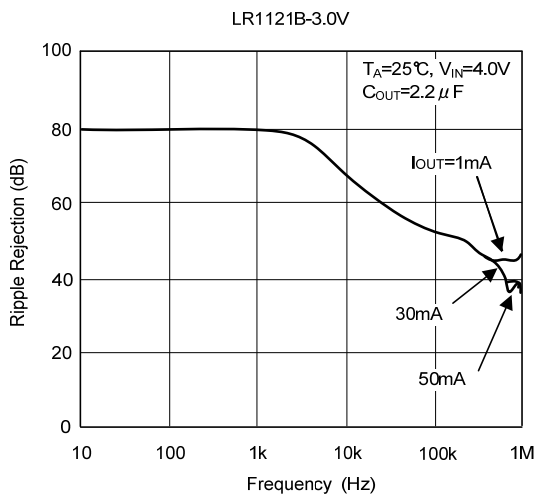


■ TYPICAL CHARACTERISTICS (Cont.)

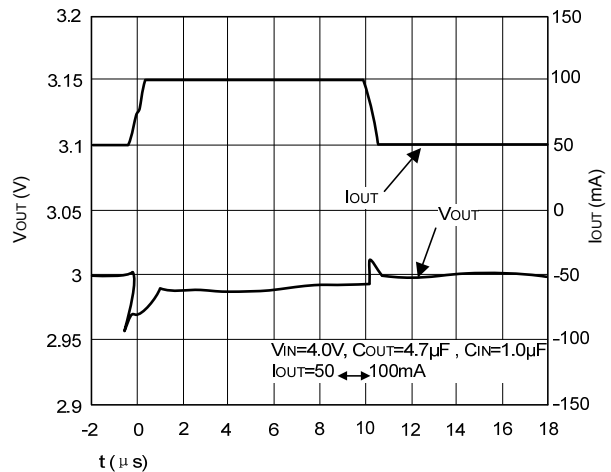
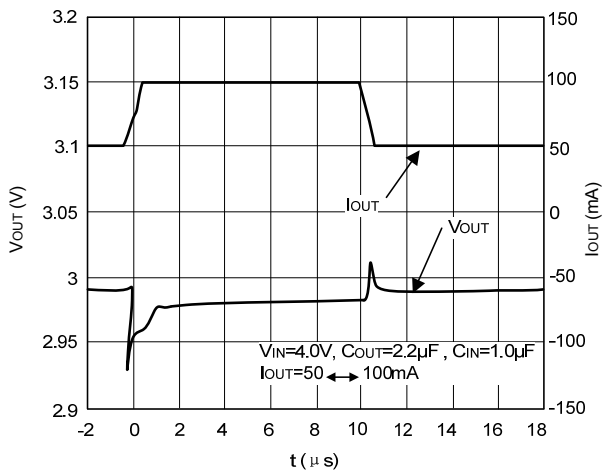
(4) Dropout voltage vs. Output current



(5) Ripple rejection

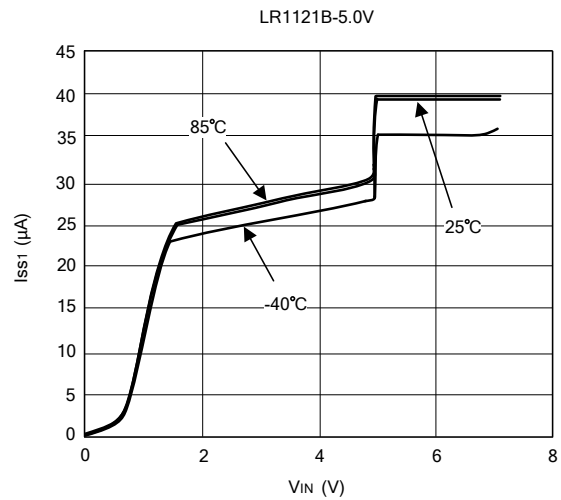
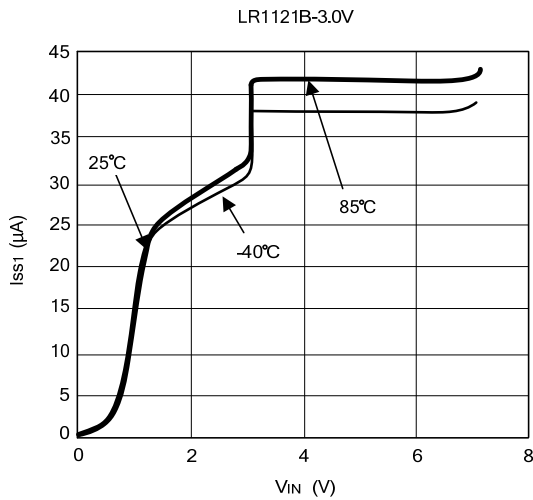


(6) Load transient response characteristics

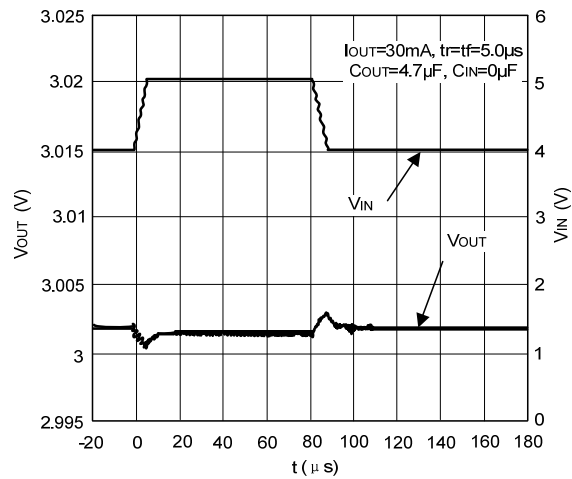
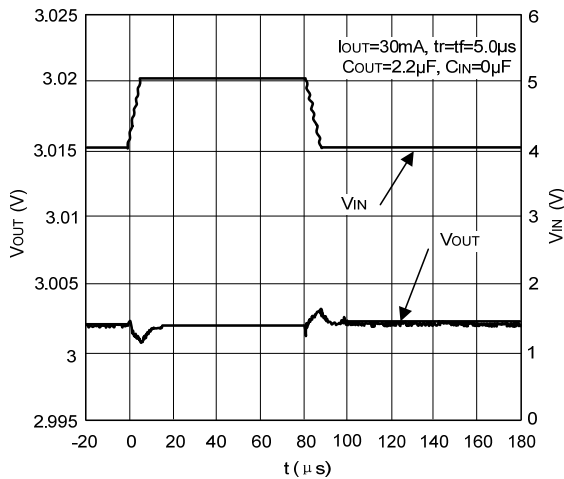


■ TYPICAL CHARACTERISTICS (Cont.)

(7) Current consumption vs. Input voltage



(8) Input transient response characteristics



UTC assumes no responsibility for equipment failures that result from using products at values that exceed, even momentarily, rated values (such as maximum ratings, operating condition ranges, or other parameters) listed in products specifications of any and all UTC products described or contained herein. UTC products are not designed for use in life support appliances, devices or systems where malfunction of these products can be reasonably expected to result in personal injury. Reproduction in whole or in part is prohibited without the prior written consent of the copyright owner. The information presented in this document does not form part of any quotation or contract, is believed to be accurate and reliable and may be changed without notice.