



# TAI-SAW TECHNOLOGY CO., LTD.

No. 3, Industrial 2nd Rd., Ping-Chen Industrial District,  
Taoyuan, 324, Taiwan, R.O.C.

TEL: 886-3-4690038 FAX: 886-3-4697532

E-mail: [ttsales@mail.taisaw.com](mailto:ttsales@mail.taisaw.com) Web: [www.taisaw.com](http://www.taisaw.com)

## Approval Sheet For Product Specification

Issued Date:

Product Name: SAW Filter 500 MHz SMD 5.0x5.0 mm

TST Parts No.: TA0979A

Customer Parts No.: \_\_\_\_\_

|                     |
|---------------------|
| Company: _____      |
| Division: _____     |
| Approved by : _____ |
| Date: _____         |

Checked by: \_\_\_\_\_ David Chang 張國智

Approval by: \_\_\_\_\_ Francis Chen 陳國智

Date: \_\_\_\_\_ 2009/02/02



# TAI-SAW TECHNOLOGY CO., LTD.

No. 3, Industrial 2nd Rd., Ping-Chen Industrial District,  
Taoyuan, 324, Taiwan, R.O.C.

TEL: 886-3-4690038 FAX: 886-3-4697532

E-mail: [tstsales@mail.taisaw.com](mailto:tstsales@mail.taisaw.com) Web: [www.taisaw.com](http://www.taisaw.com)

## SAW Filter 500 MHz

MODEL NO.: TA0979A

REV. NO.:1

### A. MAXIMUM RATING:

1. Input Power Level: 5 dB<sub>m</sub>
2. DC voltage: 5 V
3. Operating Temperature: -20°C to +70°C
4. Storage Temperature: -40°C to +85°C

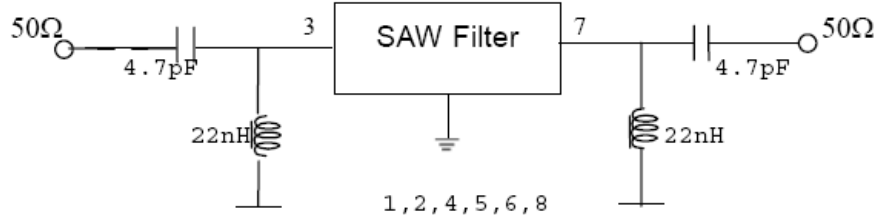
RoHS Compliant  
Lead free  
Lead-free soldering

### B. ELECTRICAL CHARACTERISTICS:

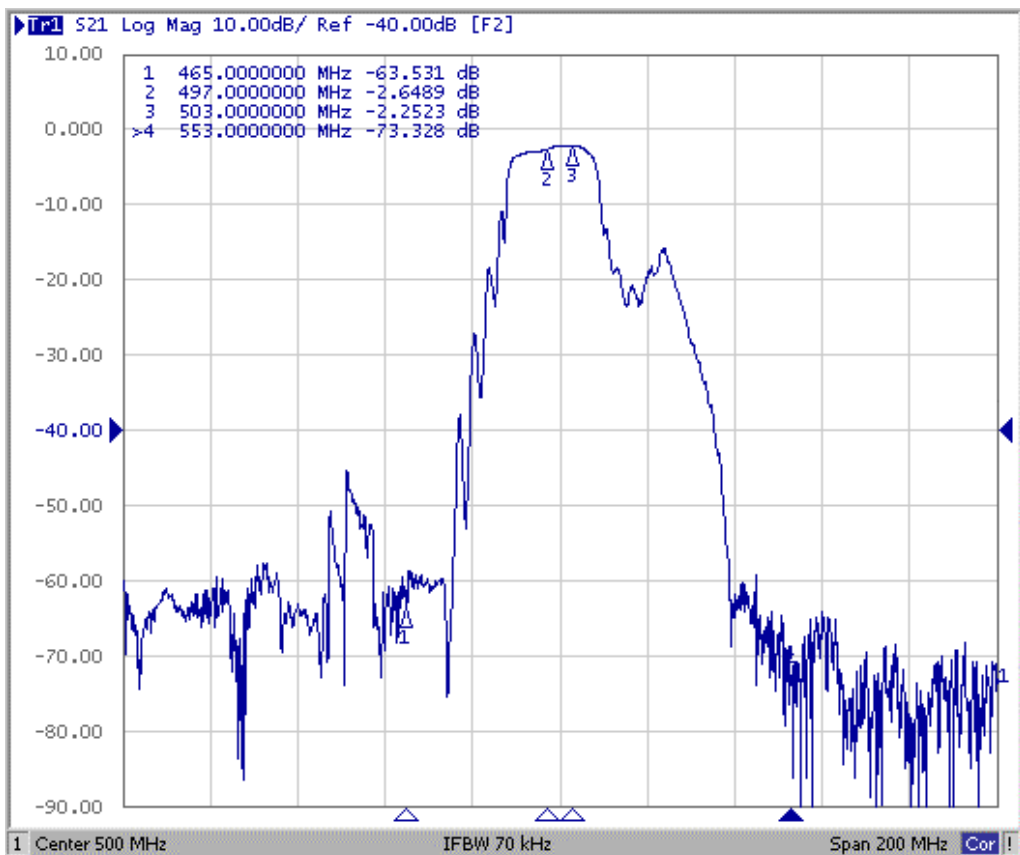
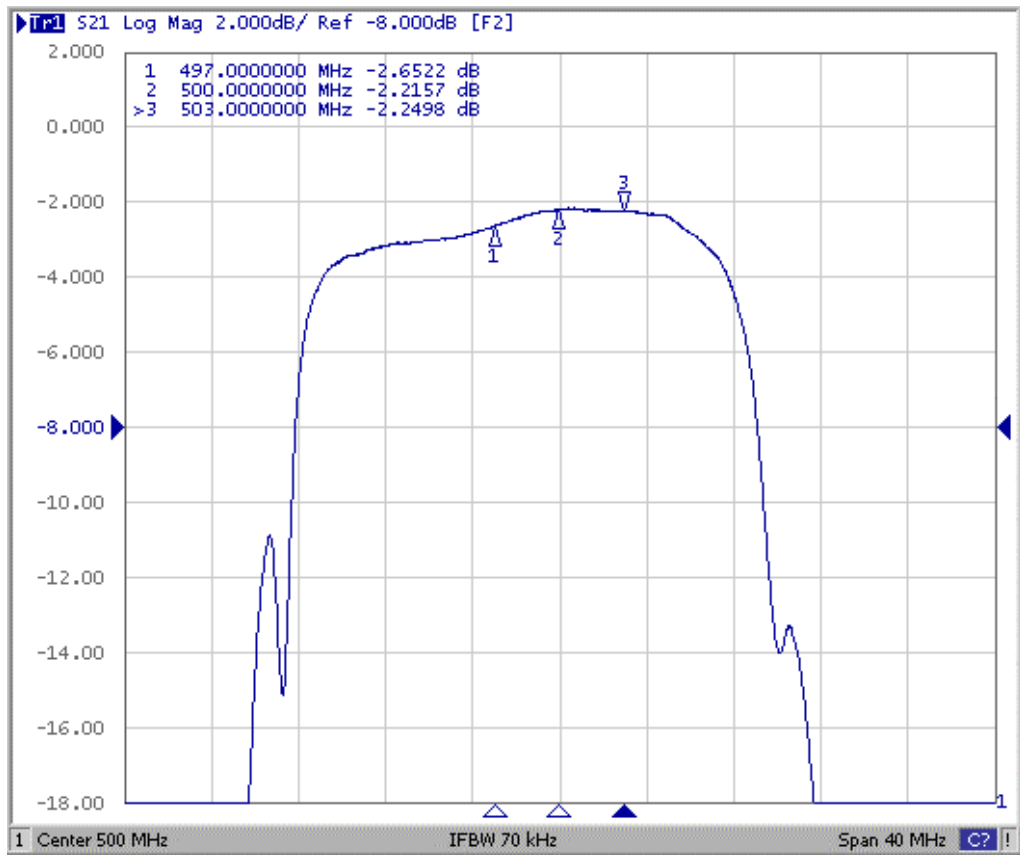
| Item                                    | Unit | Min. | Type. | Max. |
|---|------|------|-------|------|
| Center frequency Fc                     | MHz  | -    | 500   | -    |
| Insertion Loss 497 ~ 503 MHz            | IL   | -    | 2.7   | 4.7  |
| Amplitude ripple 497 ~ 503 MHz          | dB   | -    | 0.4   | 2.0  |
| Attenuation:(Reference level from 0 dB) |      |      |       |      |
| 412 ~ 434 MHz                           | dB   | 39   | 50    | -    |
| 434 ~ 465 MHz                           | dB   | 33   | 43    | -    |
| 553 ~ 567 MHz                           | dB   | 33   | 50    | -    |
| 567 ~ 588 MHz                           | dB   | 40   | 55    | -    |

### C. MEASUREMENT CIRCUIT:

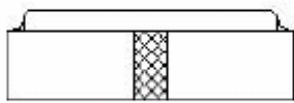
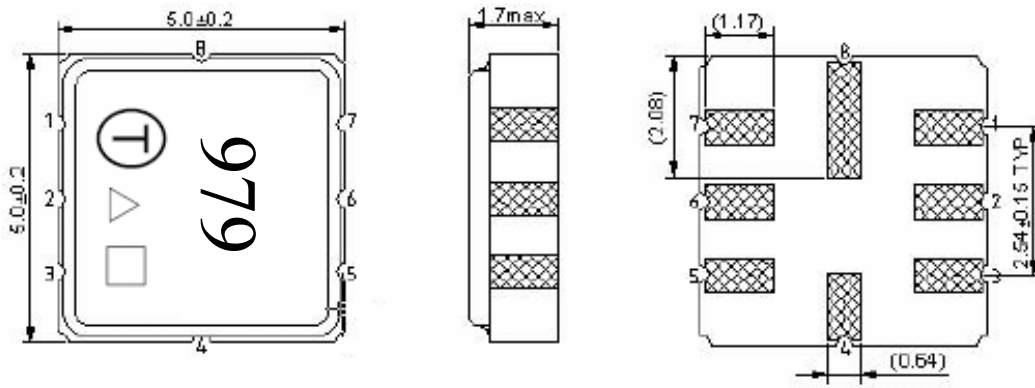
HP Network analyzer



## D. Frequency Characteristics :



**E.OUTLINE DRAWING:**



#2: Input  
 #6: Output  
 #1,3,4,5,7,8: Ground  
 Unit: mm

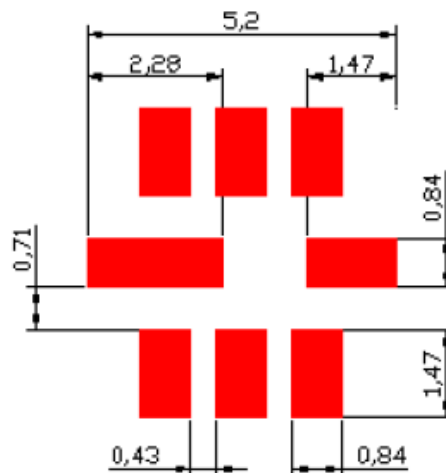
□ Data code : See the table

|      |    |    |     |    |    |    |     |    |
|------|----|----|-----|----|----|----|-----|----|
| WK   | 01 | 02 | ... | 26 | 27 | 28 | ... | 52 |
| Code | A  | B  | ... | Z  | a  | b  | ... | z  |

△ Year code : See the table

|      |      |      |          |          |
|------|------|------|----------|----------|
| Year | 2005 | 2006 | 2007     | 2008     |
|      | 2009 | 2010 | 2011     | 2012     |
| Code | A    | a    | <u>A</u> | <u>a</u> |

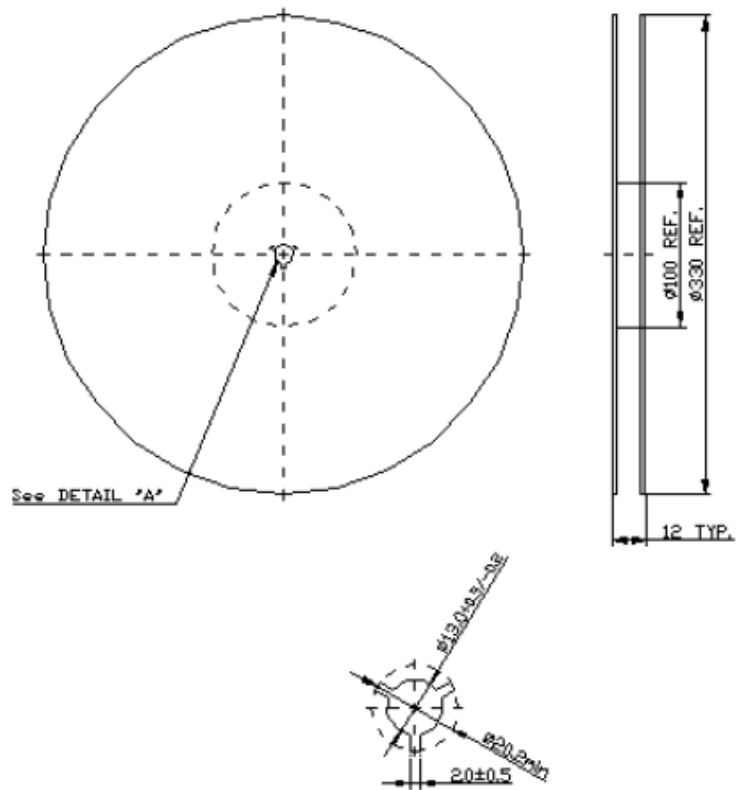
**F. PCB FOOTPRINT:**



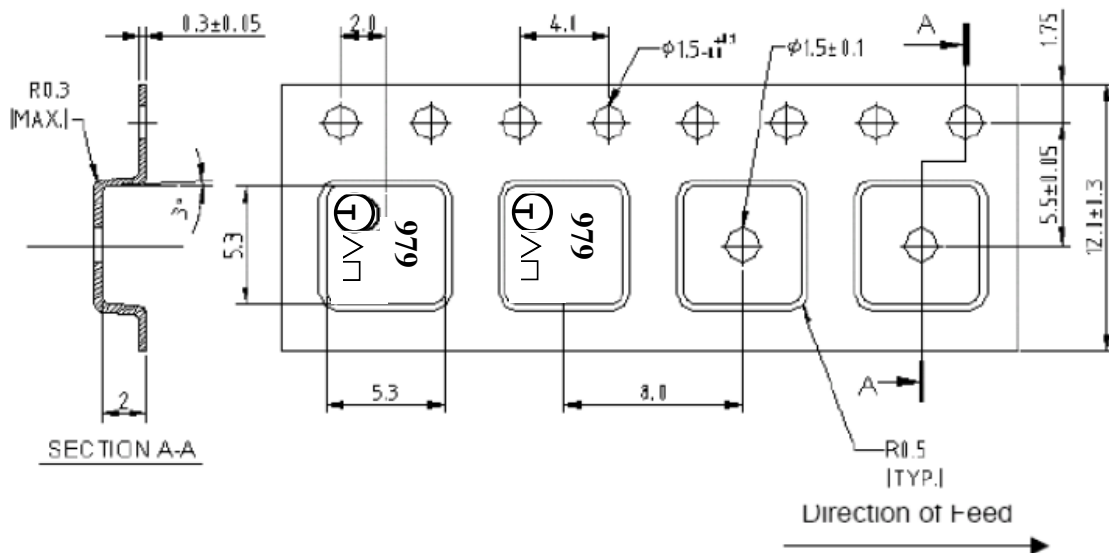
## G. PACKING:

### 1. REEL DIMENSION

(Reel Count : 7"=1000 ; 13"=3000 or per the request of customer order)



### 2. TAPE DIMENSION



## H. RECOMMENDED REFLOW PROFILE :

