

CMR1-005M
CMR1-01M

SURFACE MOUNT
GENERAL PURPOSE
SILICON RECTIFIER
1.0 AMP, 50 AND 100 VOLTS

SUPERmini™



SMA CASE

Central™

Semiconductor Corp.

DESCRIPTION:

The CENTRAL SEMICONDUCTOR 1.0 Amp Surface Mount Silicon Rectifier is a high quality, well constructed, highly reliable component designed for use in all types of commercial, industrial, entertainment, computer, and automotive applications where small size is required. The SMA case occupies 30% less board space than the SMB case. To order devices on 12mm Tape and Reel (5000/13" Reel), add TR13 suffix to part number.

MARKING CODE:

CMR1-005M: C005M

CMR1-01M: C01M

FEATURES:

- SUPER MINIATURE CASE
- LOW COST
- HIGH RELIABILITY
- GLASS PASSIVATED CHIP
- SPECIAL SELECTIONS AVAILABLE
- SUPERIOR LOT TO LOT CONSISTENCY
- "C" BEND CONSTRUCTION PROVIDES STRAIN RELIEF WHEN MOUNTED ON PC BOARD

MAXIMUM RATINGS: ($T_A=25^\circ\text{C}$ unless otherwise noted)

	SYMBOL	CMR1-005M	CMR1-01M	UNITS
Peak Repetitive Reverse Voltage	V_{RRM}	50	100	V
DC Blocking Voltage	V_R	50	100	V
RMS Reverse Voltage	$V_{R(RMS)}$	35	70	V
Average Forward Current ($T_L=100^\circ\text{C}$)	I_O	1.0		A
Peak Forward Surge Current (8.3ms)	I_{FSM}	30		A
Operating and Storage				
Junction Temperature	T_J, T_{stg}	-65 to +150		$^\circ\text{C}$
Thermal Resistance	θ_{JL}	30		$^\circ\text{C/W}$

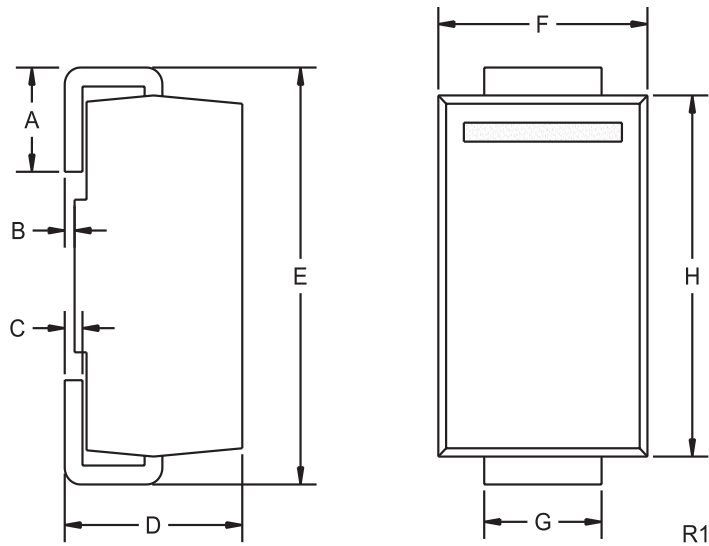
ELECTRICAL CHARACTERISTICS: ($T_A=25^\circ\text{C}$ unless otherwise noted)

SYMBOL	TEST CONDITIONS	MIN	TYP	MAX	UNITS
V_F	$I_F=1.0\text{A}$			1.1	V
I_R	$V_R=\text{Rated } V_{RRM}$			5.0	μA
I_R	$V_R=\text{Rated } V_{RRM}, T_A=125^\circ\text{C}$			50	μA
C_J	$V_R=4.0\text{V}, f=1.0\text{MHz}$		8.0		pF

R1 (18-May 2001)

**SURFACE MOUNT
GENERAL PURPOSE RECTIFIER
1.0 AMP, 50 AND 100 VOLTS**

SMA CASE - MECHANICAL OUTLINE



MARKING CODE:
CMR1-005M: C005M
CMR1-01M: C01M

SYMBOL	DIMENSIONS			
	INCHES		MILLIMETERS	
	MIN	MAX	MIN	MAX
A	0.030	0.060	0.76	1.52
B	0.004	0.008	0.10	0.20
C	0.006	0.012	0.15	0.30
D	0.078	0.103	1.98	2.62
E	0.188	0.220	4.78	5.59
F	0.090	0.115	2.29	2.92
G	0.050	0.070	1.27	1.78
H	0.157	0.181	3.99	4.60

SMA (REV: R1)