

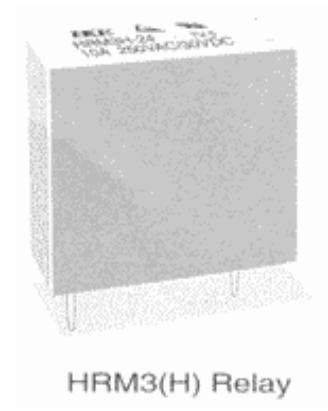
HRM3(H) Relay

1.COIL DATA

1-1.Nominal Voltage	3 VDC to 48 VDC
1-2.Coil Resistance	Refer to Table 1
1-3.Operate Voltage	Refer to Table 1
1-4.Release Voltage	Refer to Table 1
1-5.Nominal Power Consumption	250 mW to 540 mW

2.CONTACT DATA

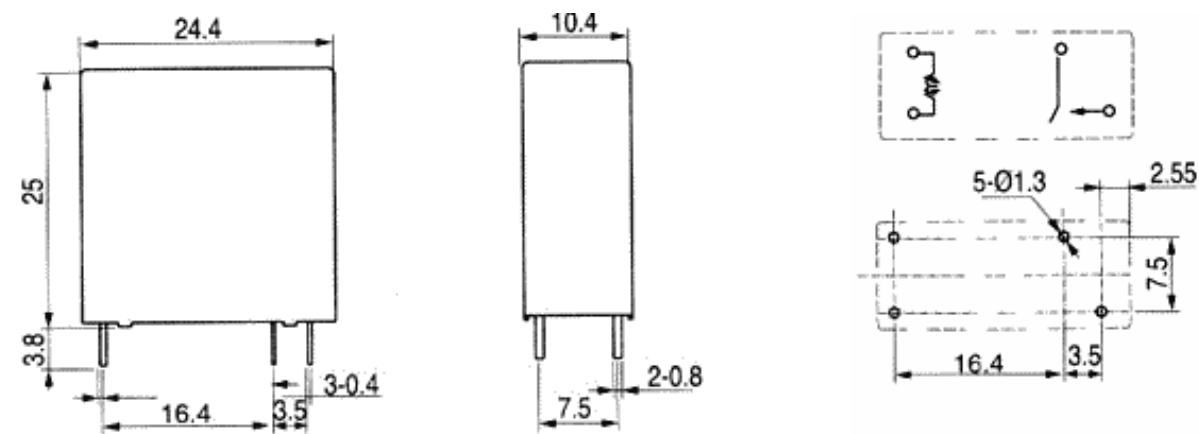
2-1.Contact Arrangement	1 Form A
2-2.Contact Material	Silver Alloy
2-3.Contact Rating	10A 250VAC / 30VDC
2-4.Max. Switching Voltage	110 VDC / 250 VAC
2-5.Max. Switching Current	10A
2-6.Max. Switching Power	2500 VA , 300W
2-7.Contact Resistance (Initial)	100 m Ω at 6 VDC 1A
2-8.Life Expectancy	Electrical 100,000 operations at nominal load Mechanical TV-5 120VAC 10,000,000 operations



3.GENERAL DATA

3-1.Insulation Resistance	Min.100M Ω at 500 VDC
3-2.Dielectric Strength	1,000VAC , 1min between open contacts 4,000VAC , 1min between contacts and coil
3-3.Operate Time	Max. 15ms
3-4.Release Time	Max. 8ms
3-5.Temperature Range	-30 to +70 $^{\circ}$ C
3-6.Shock Resistance	15G
3-7.Vibration Resistance	10 - 55 Hz , Amplitude 1.5mm
3-8.Weight	11 gr.
3-9.Safety Standard	UL NO. E164730

4.DIMENSIONS (in mm)



ii

5.ORDERING CODE

HRM3	H-	S	DC 3V	ii
				NOMINAL VOLTAGE: DC3V , DC5V , DC6V , DC9V , DC12V , DC24V , DC48V
				ENCLOSURE S ---- WASHABLE

COIL
 NIL ---- STANDARD TYPE
 H ----- HIGH SENSITIVE TYPE

TYPE

6.COIL DATA CHART

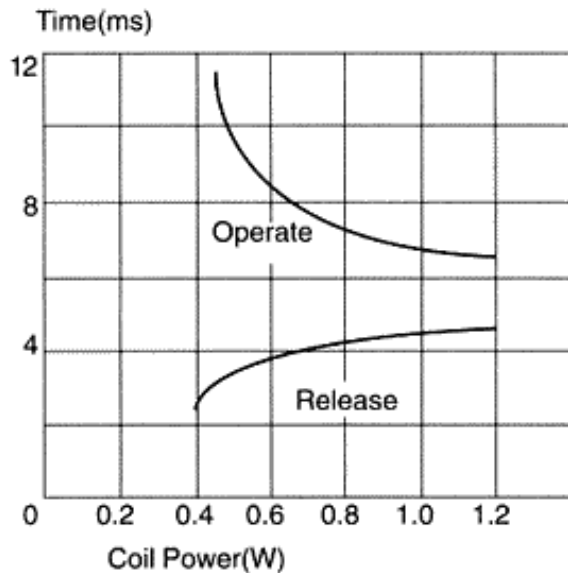
at 20°C

ORDERING CODE	COIL NOMINAL VDC	COIL RESISTANCE $\pm 10\%$	OPERATE VOLTAGE VDC	RELEASE VOLTAGE VDC	COIL NOMINAL mW
HRM3-S DC3V	3	17	2.4	0.15	540
HRM3-S DC5V	5	50	4.0	0.25	
HRM3-S DC6V	6	68	4.8	0.30	
HRM3-S DC9V	9	155	7.2	0.45	
HRM3-S DC12V	12	270	9.6	0.6	
HRM3-S DC24V	24	1100	19.2	1.20	
HRM3-S DC48V	48	4400	38.4	2.40	
HRM3H-S DC3V	3	36	2.4	0.15	250
HRM3H-S DC5V	5	100	4.0	0.25	
HRM3H-S DC6V	6	144	4.8	0.30	
HRM3H-S DC9V	9	324	7.2	0.45	
HRM3H-S DC12V	12	576	9.6	0.60	
HRM3H-S DC24V	24	2304	19.2	1.20	
HRM3H-S DC48V	48	9216	38.40	2.40	

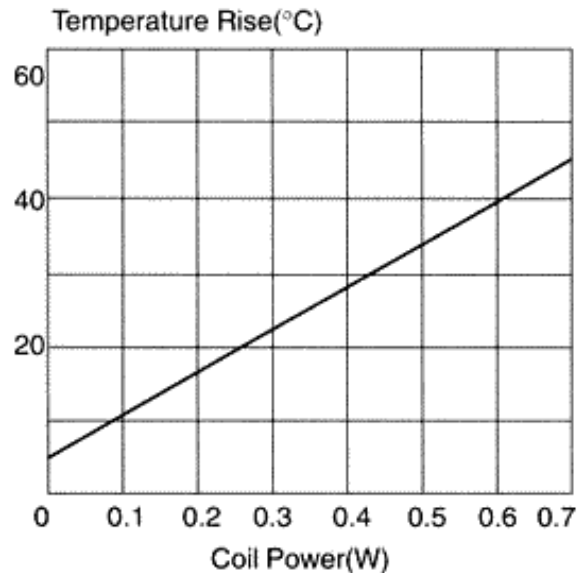
Table 1

7.HRM3(H) CHARACTERISTIC DATA

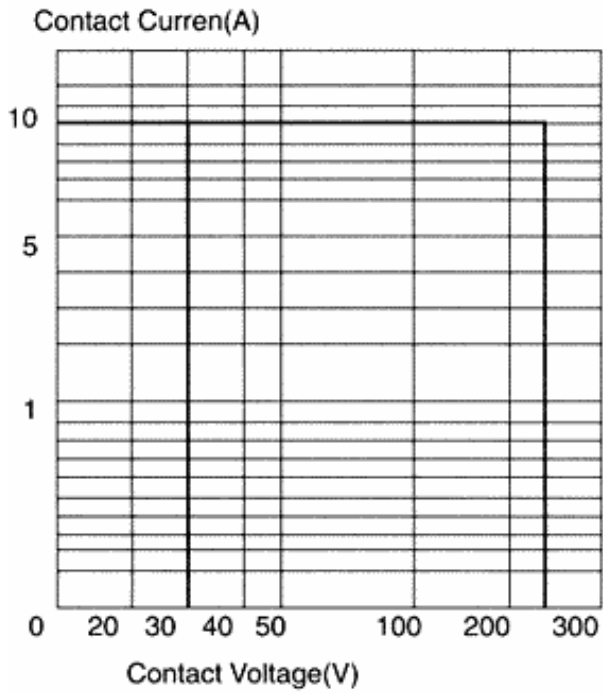
Timing



Coil Temperature Rise



Maximum Switching Power



Life Curve

