

Long Life Fan

119×119mm

SAN ACE 119L



General specifications

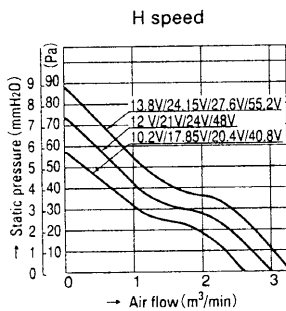
- Life expectancy 200,000 hours
(survival rate: 90% at 60°C, rated voltage, and continuously run in a free air state)
- Motor protection system Current cut system
(with reverse-connection protection)
- Dielectric strength 50/60 Hz, 500 VAC, 1 minute
(between lead conductor and frame)
- Operating thermally range - 10°C to + 60°C (non-condensing)
- Fan power lead H speed, ⊕ red, ⊖ black
M speed, ⊕ red, ⊖ blue

Long Life Fan □ 119×119 mm

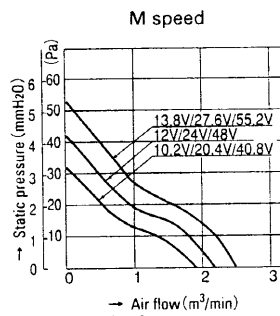
Specifications

| Model No. | Rated voltage (V) | Operating voltage range (V) | Rated current (A) | Rated input (W) | Rated rotating speed (min ⁻¹) | Air flow (m ³ /min) | Static pressure (Pa (mmH ₂ O)) | Noise (dB [A]) | Mass (g) |
|--------------|-------------------|-----------------------------|-------------------|-----------------|---|--------------------------------|---|----------------|----------|
| 109L1212H102 | 12 | 10.2 to 13.8 | 0.4 | 4.8 | 2,850 | 3.0 | 70.5(7.2) | 41 | 320 |
| 109L1212M102 | | | 0.22 | 2.64 | 2,150 | 2.25 | 41.1(4.2) | 34 | |
| 109L1221H102 | 21 | 17.8 to 24.2 | 0.24 | 5.04 | 2,850 | 3.0 | 70.5(7.2) | 41 | |
| 109L1224H102 | | | 0.21 | 5.04 | 2,850 | 3.0 | 70.5(7.2) | 41 | |
| 109L1224M102 | 24 | 20.4 to 27.6 | 0.1 | 2.4 | 2,150 | 2.25 | 41.1(4.2) | 34 | |
| 109L1248H102 | | | 0.12 | 5.76 | 2,850 | 3.0 | 70.5(7.2) | 41 | |
| 109L1248M102 | 48 | 40.8 to 55.2 | 0.06 | 2.88 | 2,150 | 2.25 | 41.1(4.2) | 34 | |

Typical air flow and static pressure characteristics

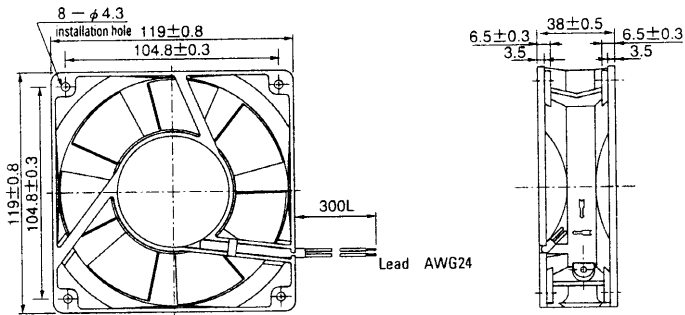


109L1212H102
109L1221H102
109L1224H102
109L1248H102



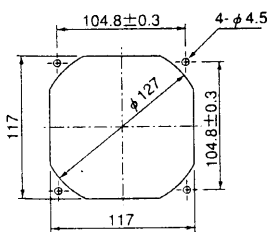
109L1212M102
109L1224M102
109L1248M102

Dimensions (unit : mm)



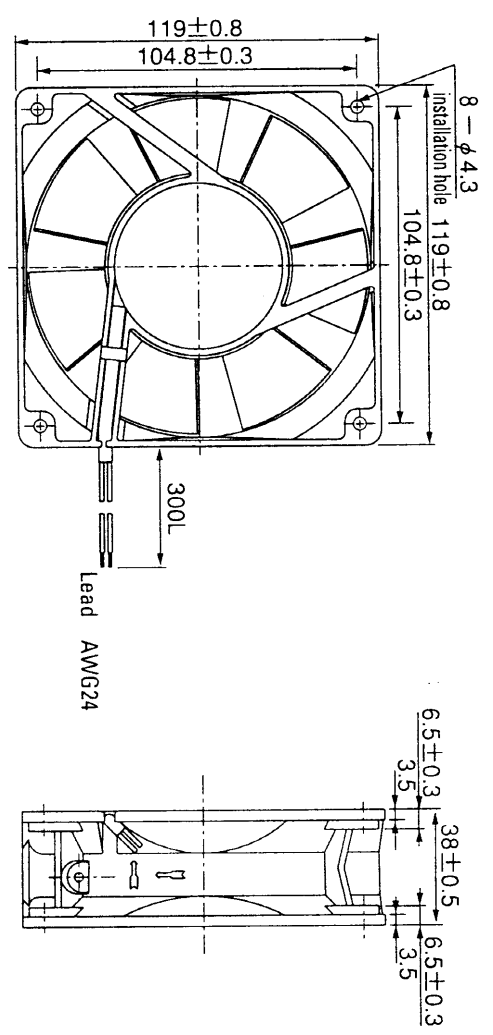
Reference dimensional diagram for installation holes (unit : mm)

Suction and discharge sides



Mass
(g)

320



Reference dimensional diagram for installation holes (unit : mm)

Suction and discharge sides

104.8 ± 0.3 $4 - \phi 4.5$

Reference dimensional diagram for installation holes (unit : mm)

Suction and discharge sides

