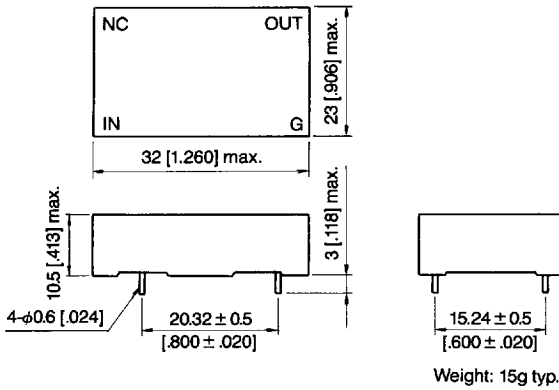
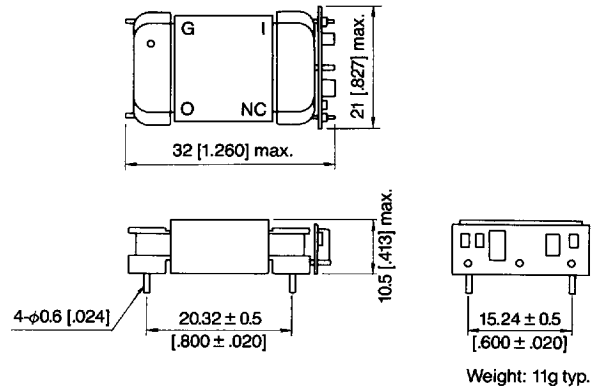


## EBX SERIES FOR ELECTROLUMINESCENT DISPLAY PANELS

### EBX-50□, Resin molded type

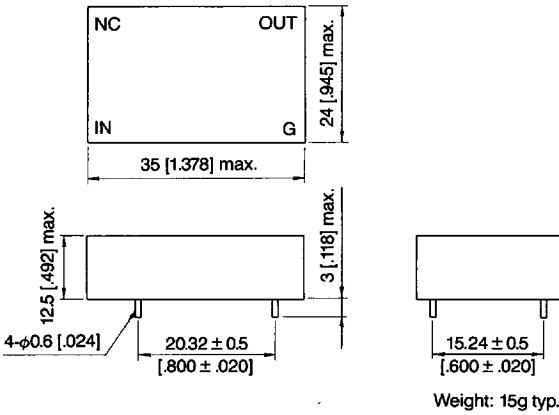


### EBX-50□B, EBX-51□B, Open package type

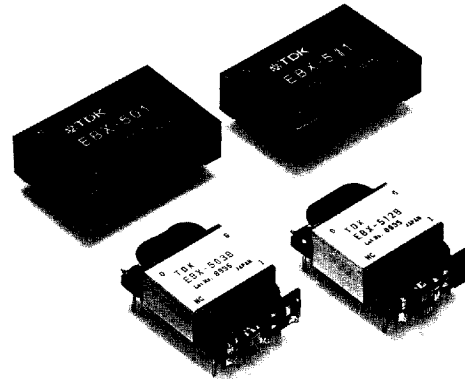
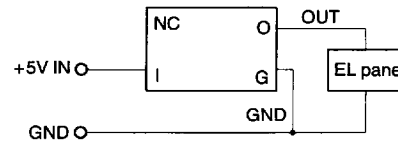


Tolerance: ± 0.25 [0.10]  
Dimensions in mm [inches]

### EBX-51□, Casing type



### Connections



## SPECIFICATIONS

Input voltage (Vdc)	4.5 to 5.5
Operating temperature range (°C) [°F]	-20 to +55 [-4 to +131]
Storage temperature range (°C) [°F]	-25 to +70 [-13 to +158]

## ELECTRICAL CHARACTERISTICS

Part No.	Panel size <sup>*1</sup> (cm <sup>2</sup> ) typ.	Luminance <sup>*2</sup> (cd/m <sup>2</sup> ) typ.	Input current <sup>*3</sup> (mA) max.	Output voltage <sup>*3</sup> (Vrms) typ.	OSC frequency <sup>*3</sup> (Hz) typ.
EBX-501, EBX-501B	15.0	30	22	70.0	450
EBX-502, EBX-502B	25.0	45	50	70.0	450
EBX-503, EBX-503B	35.0	40	62	70.0	370
EBX-504, EBX-504B	50.0	40	95	70.0	450
EBX-505, EBX-505B	70.0	35	120	70.0	500
EBX-511, EBX-511B	20.0	75	55	100.0	680
EBX-512, EBX-512B	40.0	80	125	100.0	550
EBX-513, EBX-513B	70.0	80	210	110.0	590

\*1. TDK recommended size. In case of smaller sized panel, panel life will be influenced, and in case of bigger panel the luminance will be fallen down.

\*2. This value was measured by TDK standard panel. The luminance value will be differ from the panel type.

\*3. The value measured with dummy load.

• Input voltage: 5.0 ± 0.1Vdc, 25 ± 1°C [77 ± 18°F]