

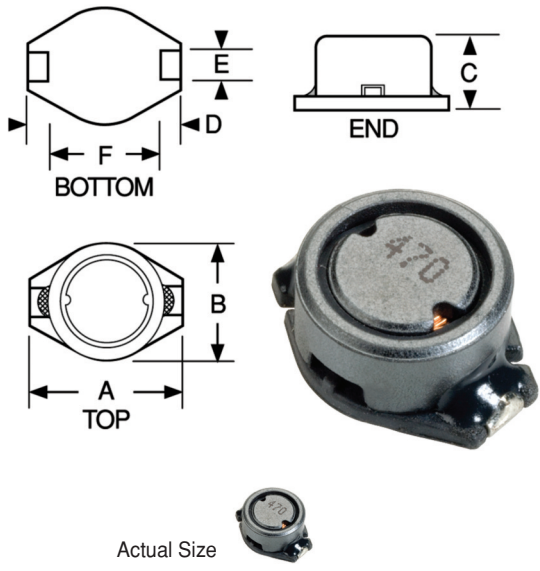
SERIES

SDS850R



Surface Mount Shielded Power Choke

DASH NUMBER*	INDUCTANCE (μH)	TOLERANCE	TEST FREQUENCY (kHz)	DC RESISTANCE MAXIMUM (OHMS)	CURRENT RATING MAXIMUM (mA)
--------------	-----------------	-----------	----------------------	------------------------------	-----------------------------



SERIES SDS850 FERRITE CORE & SLEEVE					
-222N	2.2	±30%	100	0.040	2500
-392N	3.9	±30%	100	0.055	2100
-562N	5.6	±30%	100	0.065	1950
-822N	8.2	±30%	100	0.080	1750
-103M	10	±20%	1	0.100	1500
-123M	12	±20%	1	0.120	1400
-153M	15	±20%	1	0.140	1300
-183M	18	±20%	1	0.160	1200
-223M	22	±20%	1	0.180	1100
-273M	27	±20%	1	0.200	1000
-333M	33	±20%	1	0.240	920
-393M	39	±20%	1	0.260	840
-473M	47	±20%	1	0.280	750
-563M	56	±20%	1	0.380	680
-683M	68	±20%	1	0.440	600
-823M	82	±20%	1	0.550	540
-104M	100	±20%	1	0.600	500
-124M	120	±20%	1	0.750	450
-154M	150	±20%	1	0.900	400
-184M	180	±20%	1	1.050	350
-224M	220	±20%	1	1.180	300
-274M	270	±20%	1	1.40	270
-334M	330	±20%	1	1.80	240
-394M	390	±20%	1	2.10	220
-474M	470	±20%	1	2.25	200
-564M	560	±20%	1	3.00	180
-684M	680	±20%	1	3.40	170
-824M	820	±20%	1	4.00	160
-105M	1000	±20%	1	5.00	150

Physical Parameters

	Inches	Millimeters
A	0.413 ±0.008	10.5 ±0.2
B	0.315 ±0.008	8.0 ±0.2
C	0.190 Max.	4.8 Max.
D	0.083 ±0.008	2.1 ±0.2
E	0.079 ±0.008	2.0 ±0.2
F	0.236 ±0.012	6.0 ±0.3
G	0.224 Ref.	5.7 Ref.
H	0.094 Ref.	2.4 Ref.
I	0.087 Ref.	2.2 Ref.

Current rating at 25°C Ambient

40°C Max. Rise

Operating Temperature Range

-40°C to +85°C

Weight Maximum

0.95 grams

Marking For values lower than 10 H the R indicates a decimal point and the remaining digits indicate the inductance in H. For values 10 H and above, the first two digits indicate the inductance in H and the third digit indicates the number of trailing zeros where a zero indicates that there are no trailing zeros.

Example: SDS850R-392N (3.9 μH)
3R9

Example: SDS850R-105M (1,000 μH)
102

Packaging

Tape & Reel (16mm): 13" reel
1000 pieces max.

*Complete part # must include series # PLUS the dash #
For surface finish information, refer to www.delevanfinishes.com

