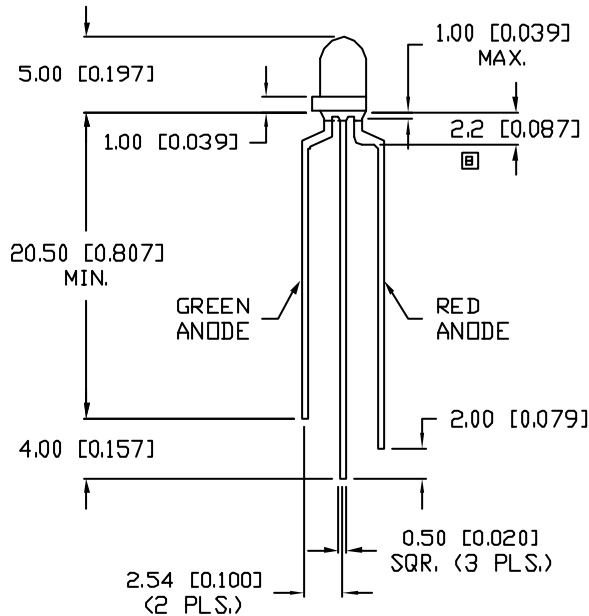
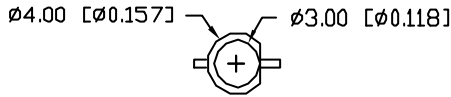


UNCONTROLLED DOCUMENT



| | |
|------|-----------------|
| REV. | E.C.N. NUMBER |
| A | E.C.N. #10BRDR. |
| B | E.C.N. #10700. |

| ELECTRO-OPTICAL CHARACTERISTICS | |
|---------------------------------|-------------|
| PARAMETER | MIN |
| PEAK WAVELENGTH | |
| FORWARD VOLTAGE (R/G) | |
| REVERSE VOLTAGE | 5.0 |
| AXIAL INTENSITY (R/G) | |
| VIEWING ANGLE | |
| EMITTED COLOR: | RED/GREEN |
| EPOXY LENS FINISH: | MILKY WHITE |

| LIMITS OF SAFE OPERATION AT 25°C | |
|----------------------------------|----------|
| PARAMETER | COMMENTS |
| PEAK FORWARD CURRENT* | |
| STEADY CURRENT | (R) |
| POWER DISSIPATION | |
| DERATE FROM 25°C | |
| OPERATING, STORAGE TEMP. | |
| SOLDERING TEMP. | |
| 2.0mm FROM BODY | |

* $t < 10\mu\text{s}$

*UNLESS OTHERWISE SPECIFIED TOLERANCES PER DECIMAL PRECISION ARE: X=±1 (±0.039), X.X=±0.5 (±0.020), X.XX=±0.25 (±0.010), X.XXX=±0.127 (±0.005). LEAD SIZE=±0.05 (±0.002), LEAD LENGTH=±0.1

UNCONT.

| | |
|------|---------------|
| REV. | PART NUMBER |
| B | SSL-LX3059IGW |

T3x5mm TRI-LEADED LED, BICOLOR RED/GREEN,
COMMON CATHODE, MILKY WHITE DIFFUSED LENS.

CONFIDENTIAL INFORMATION
THE INFORMATION CONTAINED IN THIS DOCUMENT IS THE PROPERTY OF LUMEX INC. EXCEPT AS SPECIFICALLY AUTHORIZED IN WRITING BY LUMEX INC., THE HOLDER OF THIS DOCUMENT SHALL KEEP ALL INFORMATION CONTAINED HEREIN CONFIDENTIAL AND SHALL PROTECT SAME IN WHOLE OR IN PART FROM DISCLOSURE AND DISSEMINATION TO ALL THIRD PARTIES.

RELIABILITY NOTE
OUR MANY YEARS OF EXPERIENCE DATA ACCUMULATION INDICATE THAT SOLDER HEAT IS A MAJOR CAUSE OF EARLY AND FUTURE FAILURE. PLEASE PAY ATTENTION TO YOUR SOLDERING PROCESS.

| | |
|-----------|----------|
| DRAWN BY: | CHECKED: |
| BC | |